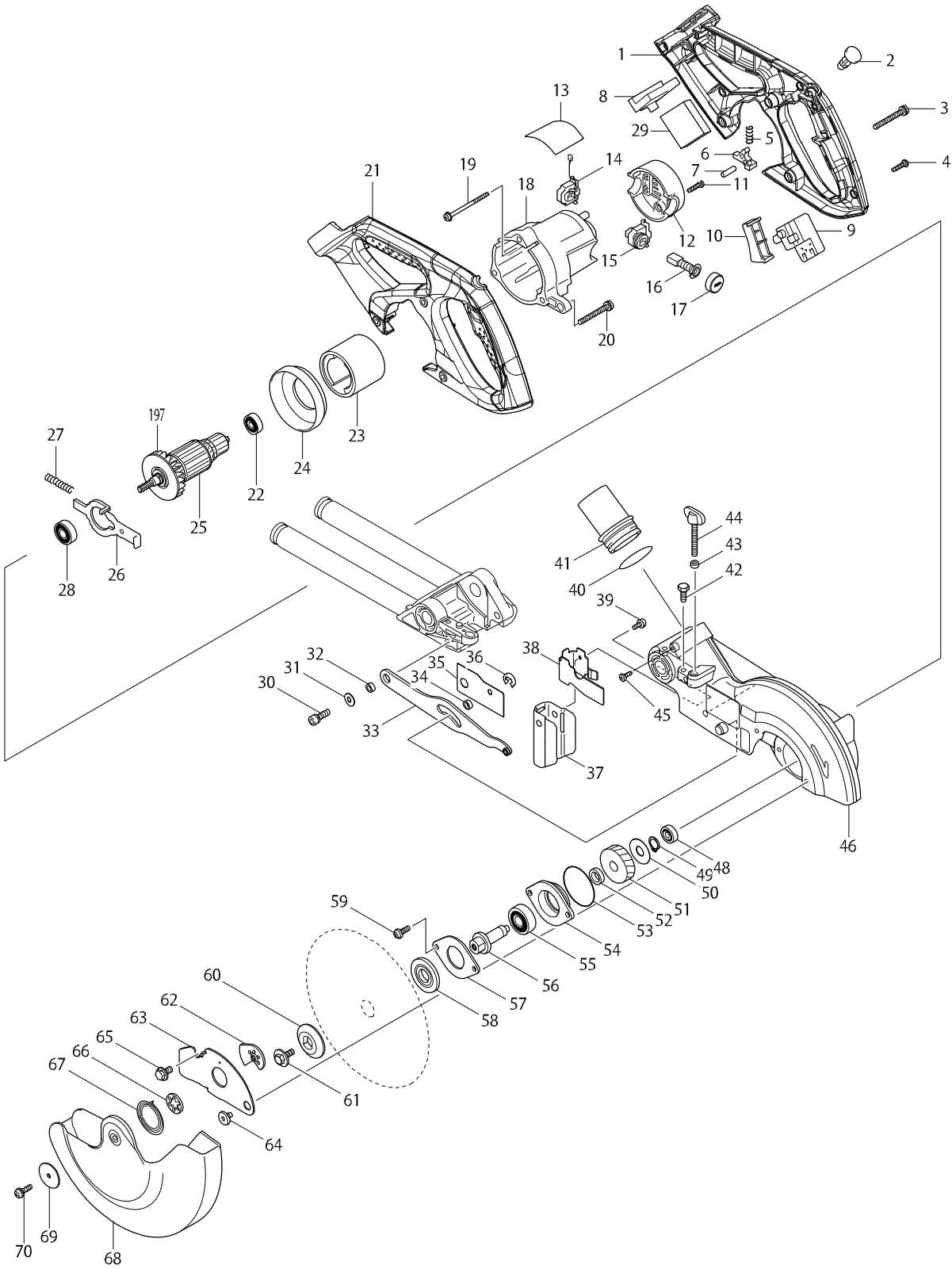
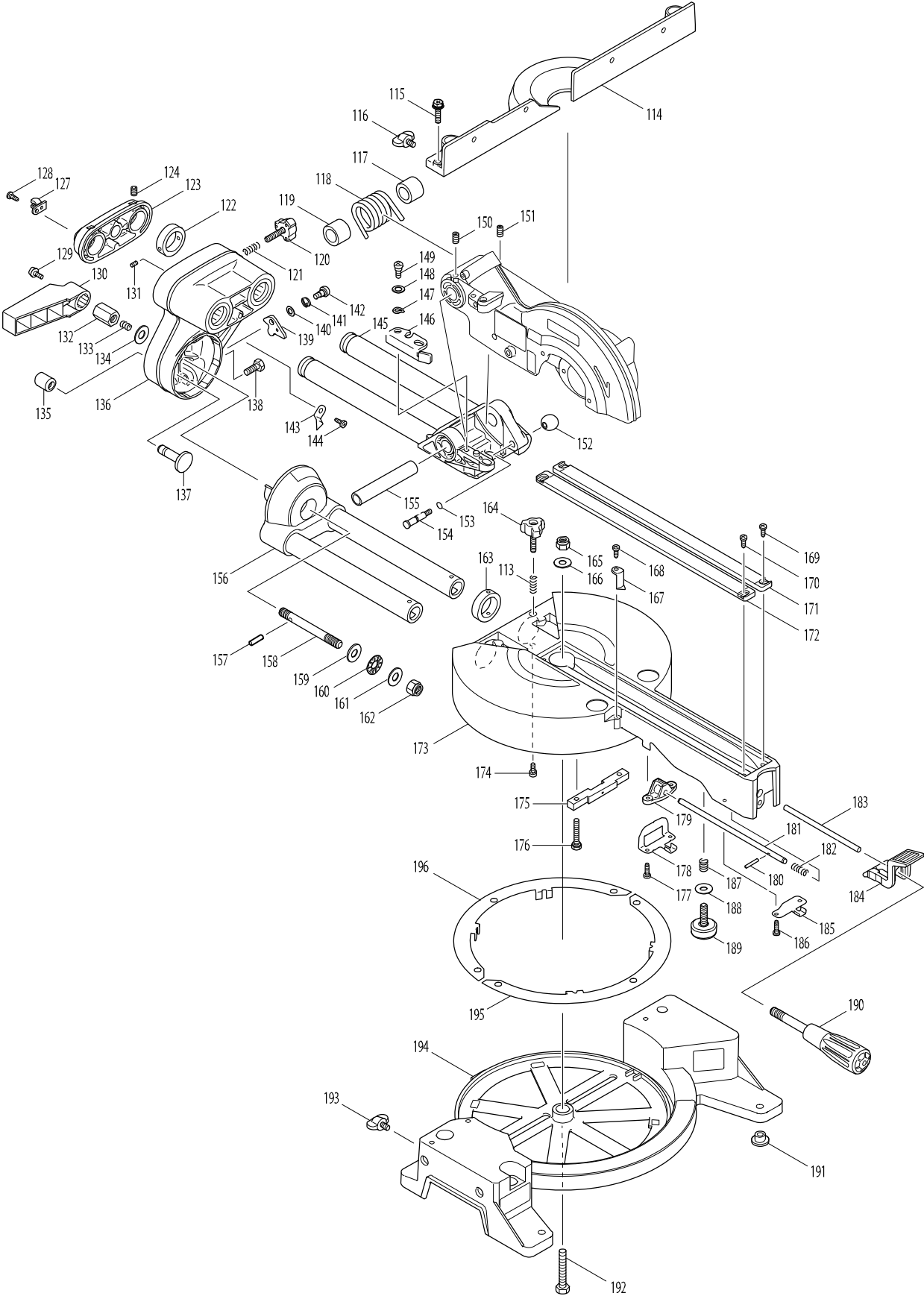


Model No. DLS713 190MM SLIDE COMPOUND SAW



Model No. DLS713 190MM SLIDE COMPOUND SAW



Model : DLS713 190MM SLIDE COMPOUND SAW

Item	Sub	Parts No.	Parts Description	Qty
1		188961-5	HANDLE SET INC. 21	1
2		417113-4	SWITCH BUTTON	1
3		911268-2	PAN HEAD SCREW M5X45	3
4		265995-6	TAPPING SCREW 4X18	5
5		231026-3	COMPRESSION SPRING 4	1
6		416533-9	LOCK OFF LEVER	1
7		256123-4	PIN 5	1
8		644808-8	TERMINAL	1
9		651956-6	SWITCH TG72BD	1
10		452130-7	SWITCH LEVER	1
11		265995-6	TAPPING SCREW 4X18	2
12		416639-3	REAR COVER	1
13		815T55-0	DLS713 NAME PLATE	1
14		643939-0	BRUSH HOLDER	1
15		643966-7	BRUSH HOLDER	1
16		194435-6	CARBON BRUSH CB-441	1
17		643941-3	BRUSH HOLDER CAP	2
18		416909-0	MOTOR HOUSING	1
19		266209-6	TAPPING SCREW 4X60	2
20		911268-2	PAN HEAD SCREW M5X45	3
21		188961-5	HANDLE SET INC. 1	1
022-1		210045-2	BALL BEARING 627DDW	1
23		632828-4	YOKE UNIT	1
24		416907-4	BAFFLE PLATE	1
25		519269-0	ARMATURE ASS'Y 18V INC. 22,28,197	1
26		344681-3	SHAFT LOCK	1
27		233092-6	COMPRESSION SPRING 5	1
28		211088-7	BALL BEARING 6000DDW	1
29		620263-8	CONTROLLER	1
30		922331-6	HEX. SOCKET HEAD BOLT M6X20	1
31		253804-1	FLAT WASHER 6	1
32		257163-5	RING 6	1
33		154643-1	LINK PLATE COMPLETE	1
34		257163-5	RING 6	1
35		346330-8	LINK COVER	1
36		961018-5	STOP RING E-5	1
37		424045-8	GUARD	1
38		345438-5	GUARD PLATE	1
39		911113-1	PAN HEAD SCREW M4X10 WITH WR	1
40		213460-9	O RING 35	1
41		419277-0	DUST NOZZLE	1
42		266757-5	HEX. SOCKET HEAD BOLT M6X16	1
43		262001-8	URETHANE RING 5	1

44		265717-4	SCREW M6X43	1
45		266026-4	TAPPING SCREW BIND CT 4X12	1
46		140699-0	BLADE CASE COMPLETE	1
46	C10	263002-9	RUBBER PIN 4	1
46	C20	263005-3	RUBBER PIN 6	1
46	C30	810968-0	CAUTION LABEL	1
48		211021-9	BALL BEARING 607LLB	1
49		961052-5	RETAINING RING S-12	1
50		253813-0	FLAT WASHER 12	1
51		226512-7	HELICAL GEAR 60	1
52		257011-8	RING 12	1
53		213623-7	O RING 46	1
54		317193-9	BEARING BOX	1
55		211129-9	BALL BEARING 6201DDW	1
56		323798-5	SPINDLE	1
57		285694-4	BEARING RETAINER 58	1
58		224370-5	INNER FLANGE 40	1
59		911223-4	PAN HEAD SCREW M5X16	2
60		224275-9	OUTER FLANGE 40	1
61		266733-9	HEX. S.F.H. BOLT M6X16	1
62		345585-2	CENTER PLATE	1
63		346232-8	CENTER COVER	1
64		265985-9	HEX.SOCKET HEAD BOLT M6	1
65		266732-1	HEX. SOCKET HEAD BOLT M6X16	1
66		345589-4	CENTER WASHER	1
67		231934-8	SPIRAL SPRING 26	1
68		419123-7	SAFETY COVER	1
69		267136-0	FLAT WASHER 5	1
70		911228-4	PAN HEAD SCREW M5X18	1
070-1		265491-4	H.S. BUTTON HEAD BOLT M5X16	1
113		231325-3	COMPRESSION SPRING 6	1
114		318655-0	GUIDE FENCE	1
115		922344-7	H.S.H.BOLT M6X25 WITH WG	3
116		251887-5	SCREW M6X10	1
117		416535-5	SLEEVE 17	1
118		231638-2	TORSION SPRING 28	1
119		416535-5	SLEEVE 17	1
120		265790-4	THUMB SCREW M6X28	1
121		231325-3	COMPRESSION SPRING 6	1
122		257214-4	RING 26	1
123		318651-8	PIPE HOLDER	1
124		266208-8	H.S.SET SCREW(CUP POINT)M6X8	2
127		687045-1	STRAIN RELIEF	1
128		266026-4	TAPPING SCREW BIND CT 4X12	1
129		911113-1	PAN HEAD SCREW M4X10 WITH WR	1
130		416006-2	LEVER 100	1
131		913106-4	SET SCREW M4X8	1

132		252144-4	HEX. NUT M10-17	1
133		231266-3	COMPRESSION SPRING 5	1
134		253024-7	FLAT WASHER 10	1
135		286236-7	CAP 16	1
136		140609-7	ARM COMPLETE	1
136	C10	211376-2	LINEAR BALL BEARING 2560	2
136	C20	262077-5	FELT RING 25	4
136	C30	263005-3	RUBBER PIN 6	2
136	C40	344638-4	CAP 35	2
137		324295-4	RELEASE PIN	1
138		266757-5	HEX. SOCKET HEAD BOLT M6X16	2
139		345299-3	STOPPER PLATE	1
140		253726-5	FLAT WASHER 6	1
141		231663-3	TORSION SPRING 8	1
142		265113-6	#NAME?	1
143		343678-9	POINTER	1
144		266026-4	TAPPING SCREW BIND CT 4X12	1
145		140608-9	FRONT ARM COMPLETE	1
146		344643-1	STOPPER ARM	1
147		253948-7	WAVE WASHER 8	1
148		253835-0	FLAT WASHER 8	1
149		251267-5	#NAME?	1
150		251961-9	H.S.SET SCREW(FLAT POINT)M6X10	1
151		251961-9	H.S.SET SCREW(FLAT POINT)M6X10	1
152		271601-3	KNOB 20	1
153		213021-5	O RING 5	1
154		324183-5	STOPPER PIN	1
155		331350-5	PIN 16-90	1
156		140610-2	ARM HOLDER COMPLETE	1
156	C10	816392-5	BEVEL SCALE LABEL	1
157		256123-4	PIN 5	1
158		266320-4	SCREW M10	1
159		253024-7	FLAT WASHER 10	1
160		216413-7	THRUST NEEDLE CAGE 1024	1
161		253024-7	FLAT WASHER 10	1
162		252130-5	HEX. LOCK NUT M10-17	1
163		257214-4	RING 26	1
164		265790-4	THUMB SCREW M6X28	1
165		252105-4	HEX. LOCK NUT M8-13	1
166		253731-2	FLAT WASHER 8	1
167		416355-7	INDICATION PLATE	1
168		266026-4	TAPPING SCREW BIND CT 4X12	1
169		266026-4	TAPPING SCREW BIND CT 4X12	2
170		266026-4	TAPPING SCREW BIND CT 4X12	2
171		419103-3	KERF BOARD	1
172		419103-3	KERF BOARD	1
173		140614-4	TURN BASE COMPLETE	1

173	C10	211376-2	LINEAR BALL BEARING 2560	2
173	C20	262077-5	FELT RING 25	4
173	C30	263005-3	RUBBER PIN 6	1
173	C40	344638-4	CAP 35	2
173	C50	817283-3	CAUTION LABEL	2
173	C60	810495-7	CAUTION LABEL	1
174		922111-0	HEX. SOCKET HEAD BOLT M4X10	1
175		153580-6	SQUARE ROD COMPLETE	1
175	C10	263005-3	RUBBER PIN 6	1
176		925251-3	HEX.BOLT M5X30	2
177		266034-5	TAPPING SCREW CT 4X16	2
178		344601-7	LOCK PLATE	1
179		317616-7	PIN HOLDER	1
180		256158-5	PIN 3	1
181		324288-1	LOCK PIN	1
182		231325-3	COMPRESSION SPRING 6	1
183		324289-9	ROD 6	1
184		416450-3	LOCK LEVER	1
185		345272-3	LOCK LEVER PLATE	1
186		266034-5	TAPPING SCREW CT 4X16	2
187		231418-6	COMPRESSION SPRING 9	1
188		253731-2	FLAT WASHER 8	1
189		266432-3	ADJUST BOLT M8X27	1
190		273658-0	GRIP 32	1
191		286212-1	CAP 20	5
192		921472-5	HEX. BOLT M8X50	1
193		251887-5	SCREW M6X10	2
194		140612-8	BASE COMPLETE	1
194	C10	816339-9	MITER SCALE PLATE	1
194	C20	810486-8	CAUTION LABEL	1
195		344646-5	SLIDE PLATE	1
196		344646-5	SLIDE PLATE	1
197		241873-4	FAN 55	1