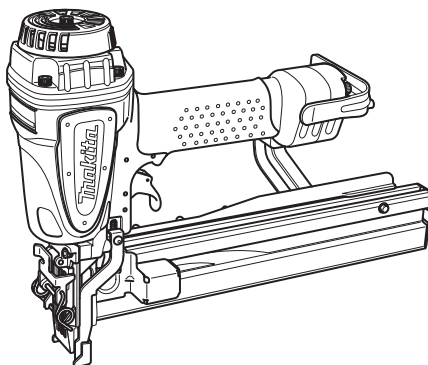
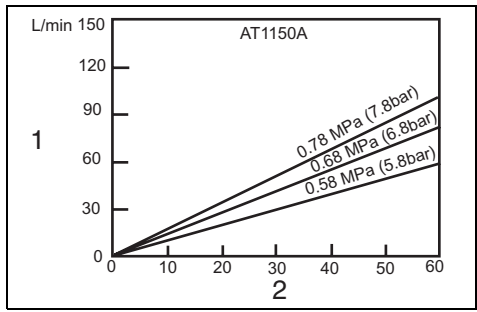
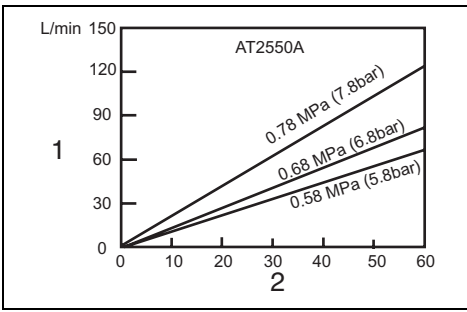




GB	Medium Crown Stapler Wide Crown Stapler	Instruction Manual
F	Agrafeuse pour agrafes à dos moyen Agrafeuse pour agrafes à dos large	Manuel d'instructions
D	Mittelkronenhefter Breitkronenhefter	Betriebsanleitung
I	Cucitrice a corona media Cucitrice a corona ampia	Istruzioni per l'uso
NL	Nietpistool voor middelgrote kronen Nietpistool voor brede kronen	Gebruiksaanwijzing
E	Grapadora de corona mediana Grapadora de corona ancha	Manual de instrucciones
P	Agrafador de coroa média Agrafador de coroa ampla	Manual de instruções
DK	Hæftemaskine med mellemstor krone Hæftemaskine med bred krone	Brugsanvisning
S	Klammermaskin, medium Klammermaskin, bred	Bruksanvisning
N	Stiftepistol for stifter med middels ryggbredde Stiftepistol for stifter med stor ryggbredde	Bruksanvisning
FIN	Keskikokoinen poranaulain Leveä poranaulain	Käyttöohje
GR	Μεσαίο συρραπτικό της Crown Πλατύ συρραπτικό της Crown	Οδηγίες χρήσεως

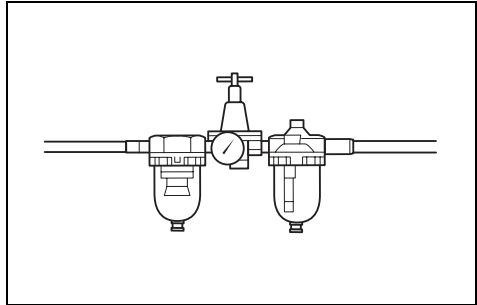
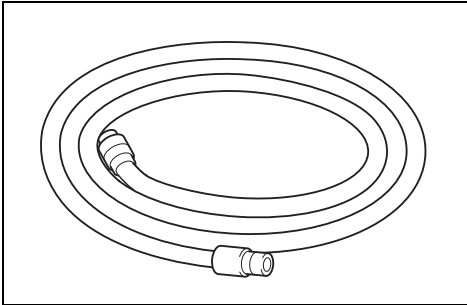
**AT1150A
AT2550A**





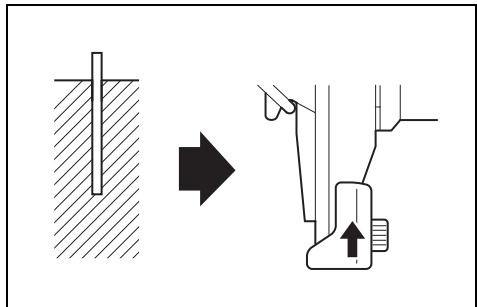
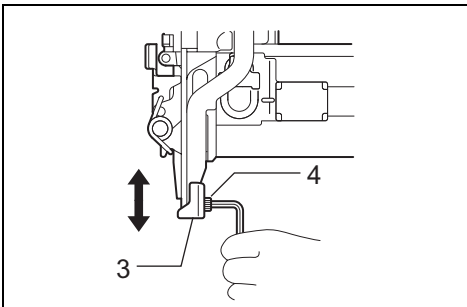
1

2



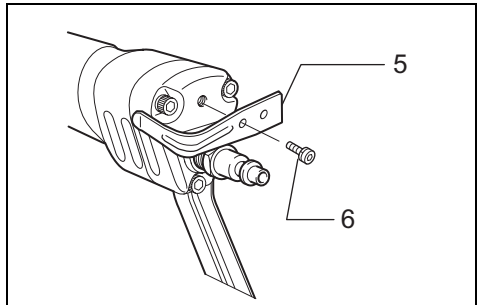
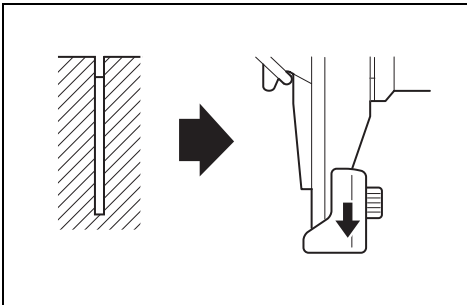
3

4



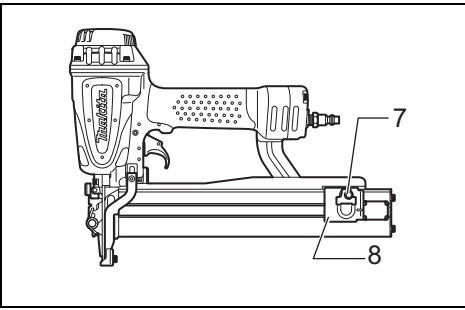
5

6

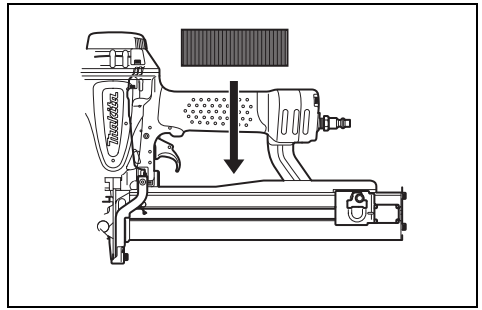


7

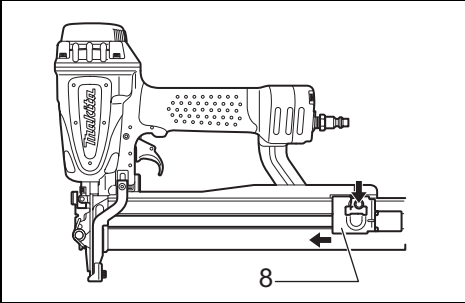
8



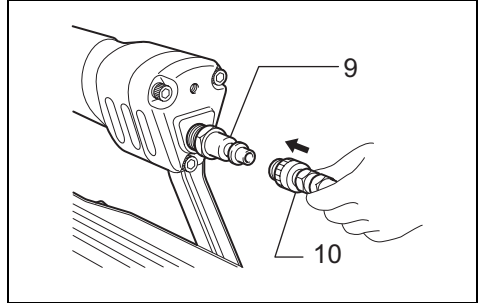
9



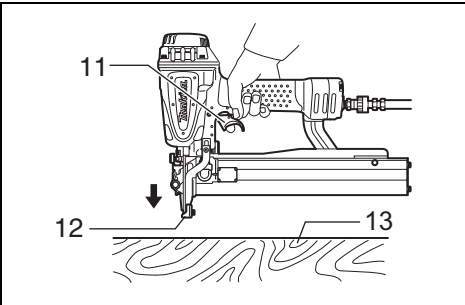
10



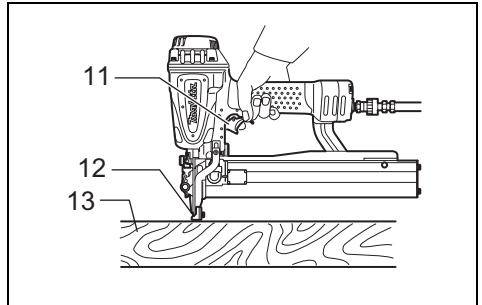
11



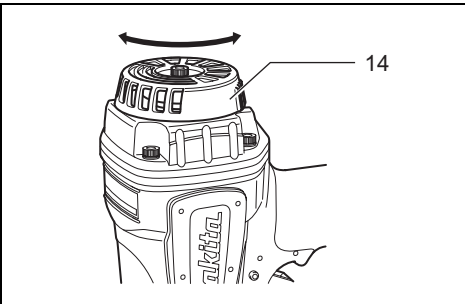
12



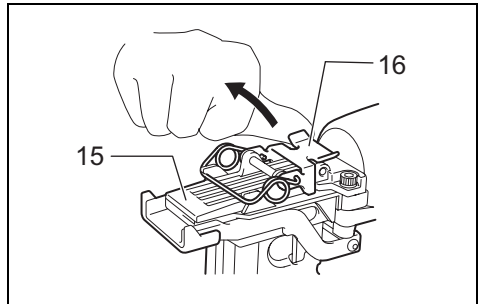
13



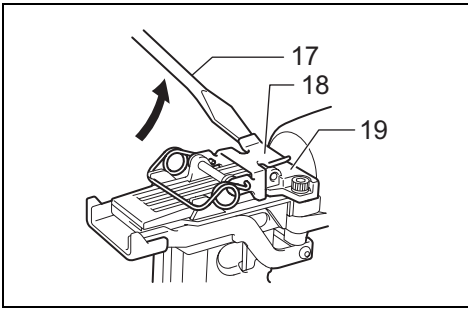
14



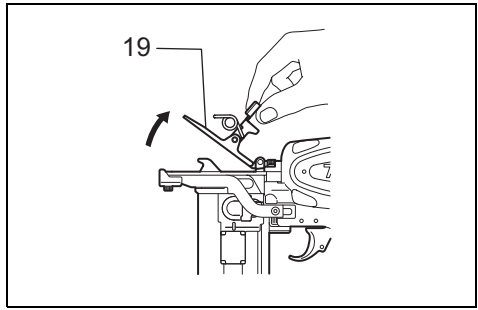
15



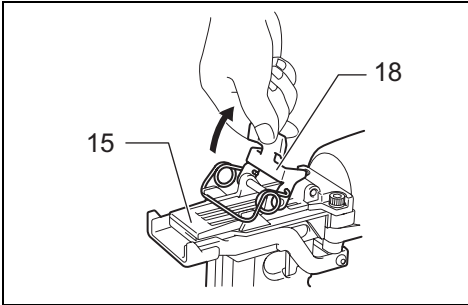
16



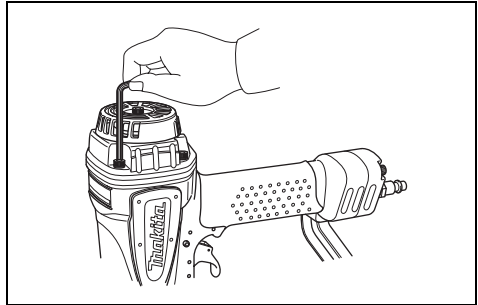
17



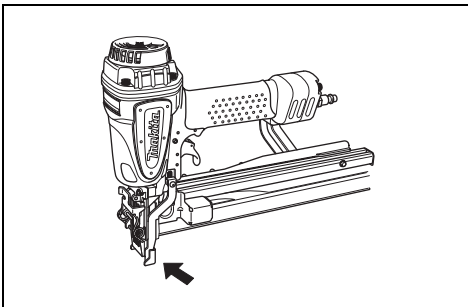
18



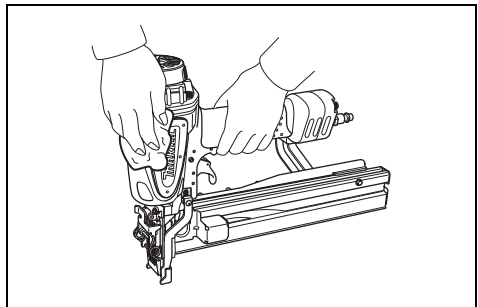
19



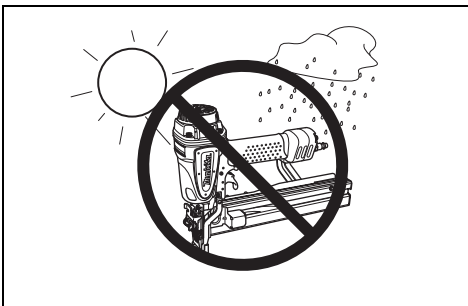
20



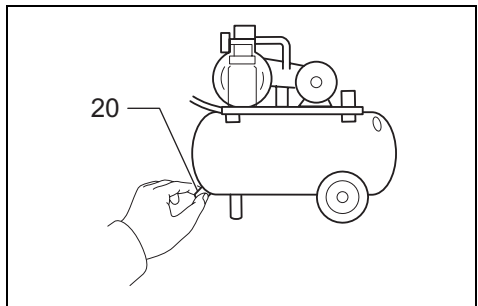
21



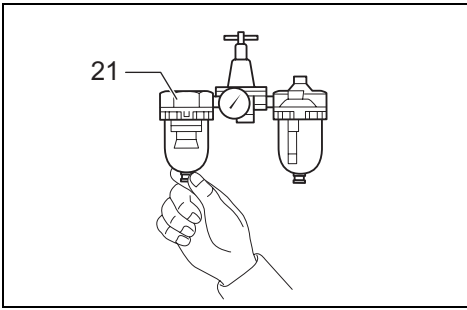
22



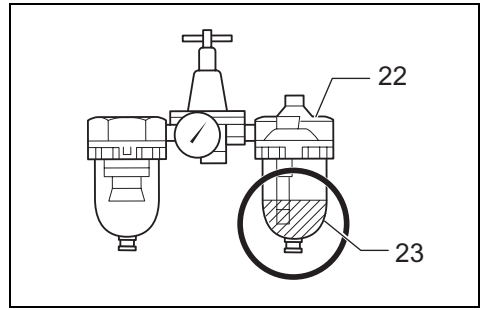
23



24



25



26



27

Symbols

The followings show the symbols used for the tool. Be sure that you understand their meaning before use.

Symboles

Nous donnons ci-dessous les symboles utilisés pour l'outil. Assurez-vous que vous en avez bien compris la signification avant d'utiliser l'outil.

Simbole

Die folgenden Symbole werden für die Maschine verwendet. Machen Sie sich vor der Benutzung unbedingt mit ihrer Bedeutung vertraut.

Simboli

Per questo utensile vengono usati i simboli seguenti. Bisogna capire il loro significato prima di usare l'utensile.

Symbolen

Voor dit gereedschap worden de volgende symbolen gebruikt. Zorg ervoor dat u de betekenis van deze symbolen begrijpt alvorens het gereedschap te gebruiken.

Símbolos

A continuación se muestran los símbolos utilizados con esta herramienta. Asegúrese de que entienda su significado antes de usarla.

Símbolos

O seguinte mostra os símbolos utilizados para a ferramenta. Certifique-se de que compreende o seu significado antes da utilização.

Symboler

Nedenstående symboler er anvendt i forbindelse med denne maskine. Vær sikker på, at De har forstået symbolernes betydning, før maskinen anvendes.

Symboler

Det följande visar de symboler som används för den här maskinen. Se noga till att du förstår deras innebörd innan maskinen används.

Symbole

Følgende viser de symbolene som brukes for maskinen. Det er viktig å forstå betydningen av disse før maskinen tas i bruk.

Symbolit

Alla on esitetty koneessa käytetyt symbolit. Opettele näiden merkitys, ennen kuin käytät konetta.

Σύμβολα

Τα ακόλουθα δείχνουν τα σύμβολα που χρησιμοποιούνται για το μηχάνημα. Βεβαιωθείτε ότι καταλαβαίνετε τη σημασία τους πριν από τη χρήση.



- Read instruction manual.
- Lire le mode d'emploi.
- Bitte Betriebsanleitung lesen.
- Leggete il manuale di istruzioni.
- Lees de gebruiksaanwijzing.
- Lea el manual de instrucciones.

- Leia o manual de instruções.
- Læs brugsanvisningen.
- Läs bruksanvisningen.
- Les bruksanvisingen.
- Katso käyttöohjeita.
- Διαβάστε τις οδηγίες χρήσης.



- Wear safety glasses.
- Porter des lunettes de protection.
- Schutzbrille tragen.
- Indossare occhiali di protezione.
- Draag een veiligheidsbril.
- Póngase gafas de seguridad.

- Utilize óculos de segurança.
- Bær sikkerhedsbriller.
- Bär skyddsglasögon.
- Bruk vernebriller.
- Käytä suojalaseja.
- Φορέστε γυαλιά ασφαλείας.



- Do not use on scaffoldings, ladders.
- Ne pas utiliser dans les échafaudages et les échelles.
- Nicht auf Gerüsten und Leitern verwenden.
- Non usare su impalcature o scale.
- Gebruik het gereedschap niet op een steiger of ladder.
- No utilizar en andamios, escaleras.
- Não utilize em andaimes ou escadotes.
- Anvend ikke på stillads eller stiger.
- Använd inte på byggnadsställningar eller stegar.
- Må ikke brukes på stillas eller stiger.
- Älä käytä telineillä, tikkailla.
- Μη κάνετε χρήση σε σκαλωσιές, σκάλες.

ENGLISH

Explanation of general view

1 Compressor air output per minute	8 Pusher	16 Latch
2 Stapling frequency (times/min)	9 Air fitting	17 Slotted bit screwdriver
3 Depth adjusting plate	10 Air socket	18 Latch
4 Hex wrench	11 Trigger	19 Door
5 Hook	12 Contact element	20 Drain cock
6 Screw	13 Workpiece	21 Air filter
7 Lock pin	14 Exhaust cover	22 Oiler
	15 Driver guide	23 Pneumatic oil

SPECIFICATIONS

Model	AT1150A	AT2550A
Air pressure	0.44 – 0.83 MPa (4.4 – 8.3 bar)	
Applicable staples	25 mm – 50 mm	
Staple capacity	140 pcs.	
Min. hose diameter	6.5 mm	
Dimensions (L x W x H)	370 mm x 87 mm x 290 mm	370 mm x 76 mm x 260 mm
Net weight	2.3 kg	2.3 kg

- Due to our continuing program of research and development, the specifications herein are subject to change without notice.
- Note: Specifications may differ from country to country.

IMPORTANT SAFETY INSTRUCTIONS

ENB103-1

WARNING: WHEN USING THIS TOOL, BASIC SAFETY PRECAUTIONS SHOULD ALWAYS BE FOLLOWED TO REDUCE THE RISK OF PERSONAL INJURY, INCLUDING THE FOLLOWING:

READ ALL INSTRUCTIONS.

- For personal safety and proper operation and maintenance of the tool, read this instruction manual before using the tool.
- Always wear safety glasses to protect your eyes from dust or staple injury.

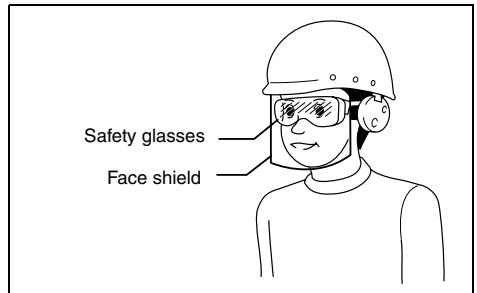
WARNING:

It is an employer's responsibility to enforce the use of safety eye protection equipment by the tool operators and by other persons in the immediate working area.

- For Australia and New Zealand only
Always wear safety glasses and face shield to protect your eyes from dust or staple injury. The safety glasses and the face shield should conform with the requirements of AS/NZS 1336.

WARNING:

It is an employer's responsibility to enforce the use of safety eye protection equipment by the tool operators and by other persons in the immediate working area.



- Wear hearing protection to protect your ears against exhaust noise and head protection. Also wear light but not loose clothing. Sleeves should be buttoned or rolled up. No necktie should be worn.
- Rushing the job or forcing the tool is dangerous. Handle the tool carefully. Do not operate when under the influence of alcohol, drugs or the like.

General Tool Handling Guidelines:

1. Always assume that the tool contains fasteners.
 2. Do not point the tool toward yourself or anyone whether it contains fasteners or not.
 3. Do not activate the tool unless the tool is placed firmly against the workpiece.
 4. Respect the tool as a working implement.
 5. No horseplay.
 6. Do not hold or carry the tool with a finger on the trigger.
 7. Do not load the tool with fasteners when any one of the operating controls is activated.
 8. Do not operate the tool with any power source other than that specified in the tool operating/ safety instructions.
- An improperly functioning tool must not be used.

- Sparks sometimes fly when the tool is used. Do not use the tool near volatile, flammable materials such as gasoline, thinner, paint, gas, adhesives, etc.; they will ignite and explode, causing serious injury.
- The area should be sufficiently illuminated to assure safe operations. The area should be clear and litter-free. Be especially careful to maintain good footing and balance.
- Only those involved in the work should be in the vicinity. Children especially must be kept away at all times.
- There may be local regulations concerning noise which must be complied with by keeping noise levels within prescribed limits. In certain cases, shutters should be used to contain noise.
- Do not play with the contact element: it prevents accidental discharge, so it must be kept on and not removed. Securing the trigger in the ON position is also very dangerous. Never attempt to fasten the trigger. Do not operate a tool if any controls is inoperable, disconnected, altered, or not working properly.
- Operate the tool within the specified air pressure of 0.44 – 0.83 MPa (4.4 – 8.3 bar) for safety and longer tool life. Do not exceed the recommended max. operating pressure of 0.83 MPa (8.3 bar). The tool should not be connected to a source whose pressure potentially exceeds 1.37 MPa (13.7 bar).
- Make sure that the pressure supplied by the compressed air system does not exceed the maximum allowable pressure of the fastener driving tool. Set the air pressure initially to the lower value of the recommended allowable pressure (see SPECIFICATIONS).
- Never use the tool with other than compressed air. If bottled gas (carbon dioxide, oxygen, nitrogen, hydrogen, air, etc.) or combustible gas (hydrogen, propane, acetylene, etc.) is used as a power source for this tool, the tool will explode and cause serious injury.
- Always check the tool for its overall condition and loose screws before operation. Tighten as required.
- Make sure all safety systems are in working order before operation. The tool must not operate if only the trigger is pulled or if only the contact arm is pressed against the wood. It must work only when both actions are performed. Test for possible faulty operation with staples unloaded.
- Check walls, ceilings, floors, roofing and the like carefully to avoid possible electrical shock, gas leakage, explosions, etc. caused by striking live wires, conduits or gas pipes.
- Use only staples specified in this manual. The use of any other staples may cause malfunction of the tool.
- Never use fastener driving tools marked with the symbol “Do not use on scaffoldings, ladders” for specific application for example:
 - when changing one driving location to another involves the use of scaffoldings, stairs, ladders, or ladder alike constructions, e.g. roof laths;
 - closing boxes or crates;
 - fitting transportation safety systems e.g. on vehicles and wagons.
- Do not permit those uninstructed to use the tool.
- Make sure no one is nearby before stapling. Never attempt to staple from both the inside and outside at the same time. Staples may rip through and/or fly off, presenting a grave danger.
- Watch your footing and maintain your balance with the tool. Make sure there is no one below when working in high locations, and secure the air hose to prevent danger if there is sudden jerking or catching.
- On rooftops and other high locations, staple as you move forward. It is easy to lose your footing if you staple while inching backward. When stapling against perpendicular surface, staple from the top to the bottom. You can perform stapling operations with less fatigue by doing so.
- A staple will be bent or the tool can become jammed if you mistakenly staple on top of another staple or strike a knot in the wood. The staple may be thrown and hit someone, or the tool itself can react dangerously. Place the staples with care.
- Do not leave the loaded tool or the air compressor under pressure for a long time out in the sun. Be sure that dust, sand, chips and foreign matter will not enter the tool in the place where you leave it setting.
- Do not point the ejection port at anyone in the vicinity. Keep hands and feet away from the ejection port area.
- When the air hose is connected, do not carry the tool with your finger on the trigger or hand it to someone in this condition. Accidental firing can be extremely dangerous.
- Handle the tool carefully, as there is high pressure inside the tool that can be dangerous if a crack is caused by rough handling (dropping or striking). Do not attempt to carve or engrave on the tool.
- Stop stapling operations immediately if you notice something wrong or out of the ordinary with the tool.
- Always disconnect the air hose and remove all of the staples:
 1. When unattended.
 2. Before performing any maintenance or repair.
 3. Before cleaning a jam.
 4. Before moving the tool to a new location.
- Perform cleaning and maintenance right after finishing the job. Keep the tool in tip-top condition. Lubricate moving parts to prevent rusting and minimize friction-related wear. Wipe off all dust from the parts.
- Do not operate this tool if it does not contain a legible WARNING LABEL.

- Do not modify tool without authorization from Makita.
- Ask Makita's Authorized service centers for periodical inspection of the tool.
- To maintain product SAFETY and RELIABILITY, maintenance and repairs should be performed by Makita Authorized Service Centers, always using Makita replacement parts.
- Use only pneumatic tool oil specified in this manual.
- Never connect tool to compressed air line where the maximum allowable pressure of tool cannot be exceeded by 10%. Make sure that the pressure supplied by the compressed air system does not exceed the maximum allowable pressure of the fastener driving tool. Set the air pressure initially to the lower value of the recommended allowable pressure.
- Do not attempt to keep the trigger or contact element depressed with tape or wire. Death or serious injury may occur.
- Always check contact element as instructed in this manual. Staples may be driven accidentally if the safety mechanism is not working correctly.

SAVE THESE INSTRUCTIONS.

INSTALLATION

Selecting compressor (Fig. 1 & 2)

Select a compressor that has ample pressure and air output to assure cost-efficient operation. The graph shows the relation between stapling frequency, applicable pressure and compressor air output.

Thus, for example, if stapling takes place at a rate of approximately 60 times per minute at a compression of 0.68 MPa (6.8 bar), a compressor with an air output over 90 L/minute is required.

Pressure regulators must be used to limit air pressure to the rated pressure of the tool where air supply pressure exceeds the tool's rated pressure. Failure to do so may result in serious injury to tool operator or persons in the vicinity.

Selecting air hose (Fig. 3)

Use an air hose as large and as short as possible to assure continuous, efficient stapling operation. With an air pressure of 0.49 MPa (4.9 bar), an air hose with an internal diameter of over 8.5 mm (5/16") and a length of less than 20 m (66 ft.) is recommended when the interval between each stapling is 0.5 seconds. Air supply hoses shall have a minimum working pressure rating of 1.0 MPa (10 bar) or 150 percent of the maximum pressure produced in the system whichever is higher.

CAUTION:

- Low air output of the compressor, or a long or smaller diameter air hose in relation to the stapling frequency may cause a decrease in the driving capability of the tool.

Lubrication (Fig. 4)

To insure maximum performance, install an air set (oil, regulator, air filter) as close as possible to the tool. Adjust the oiler so that one drop of oil will be provided for every 50 staples.

When an air set is not used, oil the tool with pneumatic tool oil by placing 2 (two) or 3 (three) drops into the air fitting. This should be done before and after use. For proper lubrication, the tool must be fired a couple of times after pneumatic tool oil is introduced.

FUNCTIONAL DESCRIPTION

CAUTION:

- Always disconnect the hose before adjusting or checking function on the tool.

Adjusting depth of stapling

To adjust the depth of stapling, loosen the bolt by using the hex wrench provided with the tool and then slide the depth adjusting plate up or down. (Fig. 5)

If staples cannot be driven deep enough, slide the adjusting plate in the direction of arrow as shown in the figure. (Fig. 6)

If the staples are driven too deep, slide the adjusting plate in the direction of arrow as shown in the figure. (Fig. 7)

The depth can be adjusted 5 mm to the maximum. Tighten the bolt securely at the right position after adjusting.

ASSEMBLY

CAUTION:

- Always disconnect the hose before carrying out any work on the tool.

Hook

CAUTION:

- Always disconnect the hose from the tool.
- Never hook the tool at high location or on potentially unstable surface.

The hook is convenient for hanging the tool temporarily. Secure the hook on the tool with the provided screw using either of two holes in the hook as shown in the figure. (Fig. 8)

Loading stapler

CAUTION:

- Always disconnect the hose before loading the tool.
- Do not use deformed staples or staple strip. Failure to do so causes poor staple feeding.
- Always use staples specified in this instruction manual. Failure to do so causes poor staple feeding.
- Always return the pusher slowly and gently while holding it with a hand.

Select staples suitable for your work. Make sure that the hose is disconnected from the tool.

1. Pull the pusher to the rear of magazine and hook the groove in the pusher on the lock pin. (Fig. 9)
2. Insert strip of staples into the magazine. Two strips of staples can be loaded. (Fig. 10)

3. Depress the lock pin lightly and pull the pusher to unhook it.

With the lock pin depressed, return the pusher slowly and gently to the original position. Keep depressing the lock pin until it passes through. (Fig. 11)

Connecting air hose (Fig. 12)

Slip the air socket of the air hose onto the air fitting on the stapler. Be sure that the air socket locks firmly into position when installed onto the air fitting. A hose coupling must be installed on or near the tool in such a way that the pressure reservoir will discharge at the time the air supply coupling is disconnected.

OPERATION

CAUTION:

- Make sure all safety systems are in working order before operation.

1. Pull the trigger first and then place the contact element against the workpiece. (Fig. 13 & 14)
2. To drive a staple, you may place the contact element against the workpiece and pull the trigger, or
No. 1 method is for continuous stapling.
No. 2 method is for intermittent stapling, when you wish to drive a staple carefully and very accurately.

CAUTION:

- However when the tool is set to the "Intermittent Stapling" mode, WITH THE TRIGGER HELD IN A HALF-PULLED POSITION, an unexpected stapling could occur, if contact element is allowed to re-contact against the workpiece or the other surface under the influence of recoil.

In order to avoid this unexpected stapling, perform as follows;

- A. Do not place the contact element against the workpiece with excessive force.
- B. Pull the trigger fully and hold it on for 1 – 2 seconds after stapling.

For No. 2 method, the OPTIONAL SEQUENTIAL TRIP TRIGGER (SINGLE SHOT PART) is used. Replace the trigger part with this.

Direction of exhaust air (Fig. 15)

The direction of exhaust air can be changed 360 degrees of angle by turning the exhaust cover with a hand.

Removing jammed staples

WARNING:

- Always disconnect the hose before removing staples.

Remove the staples from the magazine.

Lift up the latch on the top of driver guide by hand. (Fig. 16)

If the latch cannot be lift up by hand, insert a slotted bit screwdriver in the gap between the latch and the door and force it up. (Fig. 17)

Open the door and take out staples. (Fig. 18)

Place the latch spring on two hooks of the driver guide and return it to its original position by pressing it. (Fig. 19)

CAUTION:

- If the tip of staple driver has worn, staple jamming and shallow driving will tend to occur. When this occurs, have it repaired by Makita Authorized or Factory Service Centers.

MAINTENANCE

CAUTION:

- Always disconnect the air hose from the tool before attempting to perform inspection or maintenance.

Maintenance of stapler

Always check the tool for its overall condition and loose screws before operation. Tighten as required. (Fig. 20)

With tool disconnected, make daily inspection to assure free movement of the contact element and trigger. Do not use tool if the contact element or trigger sticks or binds. (Fig. 21)

When the tool is not to be used for an extended period of time, lubricate the tool using pneumatic tool oil and store the tool in a safe place. Avoid exposure to direct sunlight and/or humid or hot environment. (Fig. 22 & 23)

Maintenance of compressor, air set and air hose (Fig. 24 & 25)

After operation, always drain the compressor tank and the air filter. If moisture is allowed to enter the tool, it may result in poor performance and possible tool failure. Check regularly to see if there is sufficient pneumatic oil in the oiler of the air set. Failure to maintain sufficient lubrication will cause O-rings to wear quickly. (Fig. 26)

Keep the air hose away from heat (over 60°C, over 140°F), away from chemicals (thinner, strong acids or alkalis). Also, route the hose away from obstacles which it may become dangerously caught on during operation. Hoses must also be directed away from sharp edges and areas which may lead to damage or abrasion to the hose. (Fig. 27)

To maintain product SAFETY and RELIABILITY, repairs, any other maintenance or adjustment should be performed by Makita Authorized or Factory Service Centers, always using Makita replacement parts.

ACCESSORIES

CAUTION:

- These accessories or attachments are recommended for use with your Makita tool specified in this manual. The use of any other accessories or attachments might present a risk of injury to persons. Only use accessory or attachment for its stated purpose.

If you need any assistance for more details regarding these accessories, ask your local Makita service center.

- Staples
- Air hoses
- Safety goggles

Descriptif

1	Sortie d'air du compresseur par minute	7	Broche de verrouillage	16	Verrou
2	Fréquence d'agrafage (agrafes/min)	8	Poussoir	17	Tournevis à tête fendue
3	Plaquette de réglage de la profondeur	9	Raccord à air	18	Verrou
4	Clé hexagonale	10	Douille à air	19	Porte
5	Crochet	11	Gâchette	20	Robinet de vidange
6	Vis	12	Élément de contact	21	Filtre à air
		13	Pièce	22	Réservoir d'huile
		14	Couvercle de sortie	23	Huile à outil pneumatique
		15	Guide d'entraînement		

SPÉCIFICATIONS

Modèle	AT1150A	AT2550A
Pression d'air	0,44 – 0,83 MPa (4,4 – 8,3 bar)	
Agrafes prises en charge	25 mm – 50 mm	
Capacité d'agrafage	140 pcs.	
Diamètre min. du tuyau	6,5 mm	
Dimensions (L x L x P)	370 mm x 87 mm x 290 mm	370 mm x 76 mm x 260 mm
Poids net	2,3 kg	2,3 kg

- Étant donné l'évolution constante de notre programme de recherche et de développement, les spécifications contenues dans ce manuel sont sujettes à modification sans préavis.
- Note : Les spécifications peuvent varier suivant les pays.

CONSIGNES DE SÉCURITÉ IMPORTANTES

AVERTISSEMENT :

PAR MESURE DE SÉCURITÉ, DES PRÉCAUTIONS DE BASE DOIVENT ÊTRE PRISES LORS DE L'UTILISATION DE CET OUTIL, AFIN DE RÉDUIRE LES RISQUES DE BLESSURE. CES MESURES COMPRENNENT LES SUIVANTES :

LISEZ TOUTES LES INSTRUCTIONS.

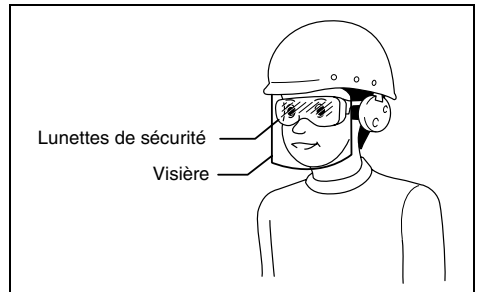
- Par mesure de sécurité personnelle et pour assurer une utilisation et un entretien adéquats, veuillez lire ce manuel d'instructions avant d'utiliser l'outil.
- Portez toujours des lunettes de sécurité pour protéger vos yeux contre toute blessure au contact de la poussière ou d'une agrafe.

AVERTISSEMENT :

- L'employeur a la responsabilité d'imposer le port d'un dispositif de protection des yeux aux utilisateurs des outils et à toute personne présente dans l'aire de travail.
- Pour l'Australie et la Nouvelle-Zélande uniquement Portez toujours des lunettes de sécurité et une visière pour protéger vos yeux contre toute blessure au contact de la poussière ou d'une agrafe. Les lunettes de sécurité et la visière doivent être conformes aux exigences de la norme AS/NZS 1336.

AVERTISSEMENT :

L'employeur a la responsabilité d'imposer le port d'un dispositif de protection des yeux aux utilisateurs des outils et à toute personne présente dans l'aire de travail.



- Portez une protection d'oreilles pour les protéger contre le bruit, et portez un casque de sécurité. Les vêtements portés doivent être légers et ne doivent pas être amples. Veuillez boutonner ou rouler vos manches. Ne portez pas de cravate.
- Il est dangereux de travailler trop vite ou d'appliquer une charge de travail excessive à l'outil. Manipulez l'outil avec soin. N'utilisez pas l'outil si vous avez consommé de l'alcool, des médicaments, etc.

Conseils généraux pour l'utilisation des outils :

1. Gardez toujours à l'esprit que l'outil contient des clous.
2. L'outil ne doit jamais être pointé vers vous-même ou vers une autre personne, qu'il contienne ou non des clous.
3. Ne mettez pas l'outil en marche avant qu'il ne soit fermement placé sur la pièce à travailler.
4. Respectez votre outil en tant qu'instrument de travail.

5. Évitez tout chahut.
 6. L'outil ne doit jamais être saisi ou transporté en posant un doigt sur la gâchette.
 7. Ne mettez jamais de clous dans l'outil alors que l'une de ses commandes est activée.
 8. Ne branchez jamais l'outil sur une source d'alimentation autre que celle spécifiée dans les instructions d'utilisation et consignes de sécurité qui l'accompagnent.
- Aucun outil défectueux ne doit être utilisé.
 - Des étincelles s'échappent parfois de l'outil pendant son utilisation. N'utilisez pas l'outil près de substances ou matériaux volatiles ou inflammables tels que l'essence, le diluant, la peinture, le gaz, les adhésifs, etc. Ils risqueraient de prendre feu, d'exploser et de causer une blessure grave.
 - L'aire de travail doit être suffisamment éclairée pour assurer la sécurité du travail. L'aire de travail doit être maintenue propre et exempte de déchets. Prenez particulièrement soin d'avoir une bonne assise et une bonne position d'équilibre.
 - Seules les personnes qui participent au travail doivent pénétrer dans l'aire de travail. Les enfants, tout particulièrement, doivent être maintenus à l'écart en tout temps.
 - Il se peut que des réglementations locales s'appliquent concernant les niveaux de bruit permis. Veuillez les respecter. Dans certains cas, des volets doivent être installés pour réduire le bruit.
 - Ne modifiez pas l'élément de contact : il permet de prévenir toute décharge accidentelle et doit donc être laissé en place. Il est également très dangereux de fixer la gâchette en position de marche. Il ne faut jamais essayer d'immobiliser la gâchette. N'utilisez jamais un outil dont une des commandes est inutilisable, déconnectée, modifiée ou ne fonctionne pas correctement.
 - Par mesure de précaution et pour augmenter la durée de vie de l'outil, réglez-le toujours à l'intérieur de la plage de pression d'air spécifiée, soit 0,44 – 0,83 MPa (4,4 – 8,3 bar). Ne dépassez jamais la pression maximale recommandée de 0,83 MPa (8,3 bar). L'outil ne doit pas être raccordé à une source dont la pression peut dépasser 1,37 MPa (13,7 bar).
 - Assurez-vous que la pression fournie par le système d'air comprimé ne dépasse pas la pression maximale permise de l'outil de clouage. Réglez d'abord la pression d'air sur la plus petite valeur de pression recommandée (voir SPÉCIFICATIONS).
 - Cet outil doit être exclusivement utilisé avec de l'air comprimé. L'utilisation d'une bouteille de gaz (dioxyde de carbone, oxygène, nitrogène, hydrogène, air, etc.) ou de gaz combustible (hydrogène, propane, acétylène, etc.) comme source de pression de cet outil entraînera une explosion et risque de causer une blessure grave.
 - Avant d'utiliser l'outil, assurez-vous qu'il est en bon état et qu'aucune de ses vis n'est desserrée. Le cas échéant, serrez les vis.
 - Assurez-vous que tous les dispositifs de sécurité sont en état de fonctionner avant d'utiliser l'outil. En principe cet outil ne fonctionne pas si vous appuyez seulement sur la gâchette ou si vous appuyez simplement le bras de contact contre le bois. Il ne doit fonctionner que lorsque ces deux actions sont exécutées. Retirez les agrafes de

l'outil pour vérifier l'absence de tout vice de fonctionnement.

- Pour éviter tout risque de choc électrique, de fuite de gaz, d'explosion, etc., provoqué par le contact avec des fils dénudés, des conduites ou des tuyaux de gaz, vérifiez le mur, le plafond, le plancher, le toit ou toute autre pièce où vous clouez.
- Utilisez uniquement les agrafes spécifiées dans ce manuel. L'utilisation de tout autre type d'agrafe peut causer un dysfonctionnement de l'outil.
- Il ne faut jamais utiliser les outils de clouage qui portent l'indication "Ne pas utiliser dans un échafaudage ou sur une échelle" pour des applications particulières, telles que par exemple :
 - lorsque, pour changer d'emplacement de clouage, il faut utiliser un échafaudage, un escalier, une échelle ou une structure similaire, par exemple lorsque vous clouez des lattes de toit ;
 - pour fermer des boîtes ou caisses ;
 - pour installer des dispositifs de sécurité, par exemple, sur un véhicule ou un wagon.
- Seules les personnes ayant pris connaissance du fonctionnement de l'outil doivent être autorisées à l'utiliser.
- Avant de procéder à l'agrafage, assurez-vous que personne ne se trouve près de vous. N'essayez jamais d'agrafer une pièce en même temps des côtés intérieur et extérieur. Cela est très dangereux, puisque les agrafes risquent alors de défoncer la pièce ou d'être projetées.
- Regardez où vous posez les pieds et assurez-vous d'un bon équilibre pendant l'utilisation de l'outil. Assurez-vous qu'il n'y a personne sous vous lorsque vous travaillez dans un endroit élevé, et fixez le tuyau d'air de sorte qu'il ne risque pas de se détacher s'il est brusquement secoué ou s'il se coince.
- Sur les toits et autres endroits élevés, agrafez en vous déplaçant vers l'avant. Vous risquez de perdre pied si vous agrafez en vous déplaçant à reculons. Lorsque vous agrafez sur une surface verticale, faites-le du haut vers le bas. De cette façon le travail d'agrafage sera moins exigeant physiquement.
- L'agrafe risque de se plier ou l'outil de se bloquer si vous agrafez par inadvertance dans un nœud ou sur une autre agrafe. L'agrafe risque alors d'être projetée et de frapper quelqu'un, ou bien l'outil lui-même risque de réagir de manière dangereuse. Choisissez l'emplacement des agrafes avec soin.
- N'abandonnez pas pour une période prolongée un outil chargé ou un compresseur d'air sous pression exposé au soleil à l'extérieur. Assurez-vous de toujours déposer l'outil en un endroit où la poussière, le sable, les copeaux et corps étrangers ne risquent pas d'y pénétrer.
- Ne pointez jamais la sortie d'éjection vers une personne se trouvant à proximité. Gardez les mains et les pieds à l'écart de la zone de la sortie d'éjection.
- Lorsque le tuyau d'air est raccordé, ne transportez pas l'outil avec le doigt sur la gâchette et ne le passez pas à quelqu'un dans cette condition. Le déclenchement accidentel de l'outil peut être extrêmement dangereux.
- Manipulez l'outil prudemment. La pression élevée à l'intérieur de l'outil représente un danger si une fissure est provoquée par une manipulation brusque (en l'échappant ou le heurtant). Ne tentez jamais de tailler ou graver une inscription sur l'outil.

- Cessez immédiatement l'agrafage si vous notez une anomalie ou un fonctionnement inhabituel de l'outil.
- Déconnectez toujours le tuyau d'air et retirez toutes les agrafes dans les cas suivants :
 1. Lorsque l'outil est laissé sans surveillance.
 2. Avant d'effectuer tout travail d'entretien ou de réparation sur l'outil.
 3. Avant de retirer des clous coincés.
 4. Avant de déplacer l'outil vers un autre lieu.
- Procédez au nettoyage et à l'entretien de l'outil dès votre travail terminé. Maintenez l'outil en excellente condition. Lubrifiez les pièces mobiles pour éviter qu'elles ne rouillent et pour limiter l'usure entraînée par la friction. Retirez toute poussière déposée sur les pièces.
- N'utilisez pas cet outil si aucune ÉTIQUETTE D'AVERTISSEMENT lisible n'y est apposée.
- Ne modifiez pas l'outil sans l'autorisation de Makita.
- Confiez régulièrement l'outil à un centre de service après-vente agréé Makita pour une inspection.
- Pour maintenir la SÉCURITÉ et la FIABILITÉ du produit, son entretien et sa réparation doivent être effectués dans un centre de service après-vente agréé Makita, exclusivement avec des pièces de rechange Makita.
- Utilisez uniquement l'huile à outil pneumatique spécifiée dans ce manuel.
- Ne jamais raccorder l'outil à un conduit d'air comprimé dont la pression maximale permise ne dépasse pas de 10% celle de l'outil. Assurez-vous que la pression fournie par le système d'air comprimé ne dépasse pas la pression maximale permise de l'outil de clouage. Réglez d'abord la pression d'air sur la plus petite valeur de pression recommandée.
- Ne pas essayer de maintenir en position enfoncée l'élément de contact de la gâchette avec un bout de ruban ou de fil. Il y a risque de décès ou de blessure grave.
- Vérifiez toujours l'élément de contact, tel qu'indiqué dans ce manuel. Des agrafes risquent d'être projetées par accident si le mécanisme de sécurité ne fonctionne pas correctement.

CONSERVEZ CES INSTRUCTIONS.

INSTALLATION

Sélection du compresseur (Fig. 1 et 2)

Choisissez un compresseur dont la capacité de pressurisation et de sortie d'air assurera un bon rapport qualité/coût. Le graphique indique la relation entre la fréquence d'agrafage, la pression applicable et la sortie d'air du compresseur.

Ainsi, par exemple, un agrafage à raison d'environ 60 agrafes par minute avec une pression de 0,68 MPa (6,8 bar) nécessite une sortie d'air supérieure à 90 litres/min.

Un régulateur de pression doit être utilisé si la pression d'air fournie dépasse la capacité nominale de l'outil. Autrement, l'utilisateur et les personnes présentes courent un risque de blessure grave.

Sélection du tuyau d'air (Fig. 3)

Le tuyau d'air utilisé doit être le plus gros et le plus court possible, pour assurer un travail d'agrafage continu et efficace. Avec une pression d'air de 0,49 MPa (4,9 bar), nous recommandons un tuyau d'air d'un diamètre interne supérieur à 8,5 mm (5/16 po) et d'une longueur inférieure à 20 m (66 pi) pour un intervalle de 0,5 seconde entre chaque agrafe. Les tuyaux d'adduction d'air doivent avoir une pression de service minimale de 1,0 MPa (10 bar) ou de 1,5 fois la pression maximale produite par le système, la valeur la plus élevée parmi les précédentes s'appliquant.

ATTENTION :

- La capacité d'entraînement de l'outil risque de diminuer si la sortie d'air du compresseur est faible ou si le tuyau d'air est trop long ou d'un diamètre trop petit pour la fréquence d'agrafage.

Lubrification (Fig. 4)

Pour assurer un fonctionnement optimal, installez une chambre à air (réservoir d'huile, régulateur, filtre à air) le plus près possible de l'outil. Ajustez le réservoir d'huile de sorte qu'une goutte d'huile soit fournie à intervalles de 50 agrafes.

Si vous n'utilisez pas de chambre à air, graissez l'outil avec 2 (deux) ou 3 (trois) gouttes d'huile pour outil pneumatique dans le raccord à air. Effectuez cette opération avant et après l'utilisation. Pour assurer une lubrification adéquate, il faut faire déclencher l'outil à quelques reprises après l'insertion de l'huile pour outil pneumatique.

DESCRIPTION DU FONCTIONNEMENT

ATTENTION :

- Déconnectez toujours le tuyau avant de régler l'outil ou de vérifier son fonctionnement.

Réglage de la profondeur d'agrafage

Pour régler la profondeur d'agrafage, desserrez le bouton à l'aide de la clé hexagonale fournie avec l'outil, puis faites glisser la plaque de réglage de la profondeur vers le haut ou le bas. (Fig. 5)

Si les agrafes ne pénètrent pas assez profondément, faites glisser la plaque de réglage dans le sens de la flèche, tel qu'indiqué sur la figure. (Fig. 6)

Si les agrafes pénètrent trop profondément, faites glisser la plaque de réglage dans le sens de la flèche, tel qu'indiqué sur la figure. (Fig. 7)

La profondeur est réglable sur une plage maximale de 5 mm. Après le réglage, serrez fermement le boulon sur la bonne position.

ASSEMBLAGE

ATTENTION :

- Déconnectez toujours le tuyau avant d'effectuer tout travail sur l'outil.

Crochet

ATTENTION :

- Déconnectez toujours le tuyau de l'outil.
- N'accrochez jamais l'outil dans un emplacement élevé ou sur une surface instable.

Le crochet est pratique pour suspendre l'outil temporairement. Fixez le crochet sur l'outil avec la vis fournie, à l'aide de l'un ou l'autre des deux orifices du crochet, comme indiqué sur la figure. (Fig. 8)

Charger l'agrafeuse

ATTENTION :

- Déconnectez toujours le tuyau avant de charger l'outil.
- N'utilisez ni agrafes déformées, ni bandes d'agrafes. Autrement l'alimentation en agrafes sera médiocre.
- Utilisez toujours les agrafes spécifiées dans ce manuel. Autrement l'alimentation en agrafes sera médiocre.
- Retournez toujours le poussoir lentement et doucement tout en le tenant avec une main.

Sélectionnez des agrafes adéquates pour le type de travail à effectuer. Assurez-vous que le tuyau est déconnecté de l'outil.

1. Tirez le poussoir vers l'arrière du magasin et accrochez la rainure dans le poussoir sur la broche de verrouillage. (Fig. 9)
2. Insérez une bande d'agrafes dans le magasin. Vous pouvez charger deux bandes d'agrafes. (Fig. 10)
3. Enfoncez la broche de verrouillage et tirez sur le poussoir pour le décrocher. Avec la broche de verrouillage enfoncée, remettez le poussoir lentement et doucement sur sa position initiale. Gardez la broche de verrouillage enfoncée jusqu'à ce qu'il traverse. (Fig. 11)

Connexion du tuyau à air (Fig. 12)

Glissez la douille à air du tuyau d'air dans le raccord à air de l'agrafeuse. Assurez-vous que la douille à air est verrouillée fermement en position lorsque vous installez le raccord à air. Un raccord à tuyau doit être installé sur ou près de l'outil de sorte que le réservoir de pression se vide au moment de la déconnexion du raccord d'adduction d'air.

UTILISATION

ATTENTION :

- Assurez-vous que tous les dispositifs de sécurité sont en état de fonctionner avant d'utiliser l'outil.

1. Appuyez d'abord sur la gâchette puis placez l'élément de contact contre la pièce. (Fig. 13 et 14)
2. Vous pouvez placer l'élément de contact contre la pièce et appuyer sur la gâchette pour insérer une seule agrafe, ou utiliser la méthode N° 1 pour un agrafage continu.
La méthode N° 2 convient bien à l'agrafage intermittent, lorsque vous désirez enfoncer une agrafe soigneusement, avec une grande précision.

ATTENTION :

- Toutefois, si l'outil est réglé en mode "agrafage intermittent", avec LA GÂCHETTE MAINTENUE À MICOOURSE, vous risquez d'agrafer par inadvertance si l'élément de contact touche à nouveau la pièce à travailler ou toute autre surface sous l'effet du recul.

Pour éviter cet agrafage accidentel, procédez comme suit :

- A. N'appliquez pas une pression excessive lorsque vous appliquez l'élément de contact contre la pièce à travailler.
- B. Appuyez à fond sur la gâchette et maintenez-la dans cette position 1 ou 2 secondes après l'agrafage.

Pour la méthode N° 2, la GÂCHETTE DE DÉCLENCHEMENT À RÉPÉTITION OPTIONNELLE (PARTIE AGRAFAGE SIMPLE) est utilisée. Remplacez la partie de la gâchette par cette pièce.

Sens de la sortie d'air (Fig. 15)

Vous pouvez changer le sens de la sortie d'air sur une plage de 360 degrés en tournant manuellement le couverte de sortie.

Retrait des agrafes coincées

AVERTISSEMENT :

- Déconnectez toujours le tuyau avant de retirer les agrafes.

Retirez les agrafes du magasin.

Soulevez manuellement le verrou sur le dessus du guide d'entraînement. (Fig. 16)

S'il n'est pas possible de soulever le verrou manuellement, insérez un tournevis à tête fendue entre le verrou et la porte, et forcez-le à monter. (Fig. 17)

Ouvrez la porte et retirez les agrafes. (Fig. 18)

Posez le ressort de fermeture sur les deux crochets du guide d'entraînement et remettez-le sur sa position initiale en appuyant dessus. (Fig. 19)

ATTENTION :

- Lorsque le bout de l'agrafeuse s'use, les agrafes ont tendance à se coincer et à ne pas pénétrer profondément dans la pièce. Si cela se produit, faites-la réparer dans un centre de service après-vente agréé Makita.

ENTRETIEN

ATTENTION :

- Déconnectez toujours le tuyau d'air de l'outil avant d'effectuer tout travail d'inspection ou d'entretien.

Entretien de l'agrafeuse

Avant d'utiliser l'outil, assurez-vous qu'il est en bon état et qu'aucune de ses vis n'est desserrée. Serrez-les si nécessaire. (Fig. 20)

En débranchant l'outil, inspectez-le quotidiennement pour vous assurer que l'élément de contact et la gâchette se déplacent librement. N'utilisez pas l'outil si l'élément de contact ou la gâchette se bloque ou se coince. (Fig. 21)

Si vous prévoyez laisser l'outil inutilisé pour une période prolongée, graissez-le avec de l'huile à outil pneumatique et rangez-le dans un endroit sûr. Évitez de l'exposer directement aux rayons du soleil et/ou de le laisser dans un environnement humide ou chaud. (Fig. 22 et 23)

Entretien du compresseur, de la chambre à air et du tuyau d'air (Fig. 24 et 25)

Après l'utilisation, videz toujours le réservoir du compresseur et le filtre à air. L'outil risque de mal fonctionner ou de tomber en panne si l'humidité y pénètre. Vérifiez régulièrement la chambre à air pour vous assurer que le réservoir d'huile contient assez d'huile à outil pneumatique. Les joints toriques s'useront rapidement s'ils ne sont pas toujours bien graissés. (Fig. 26)

Gardez le tuyau d'air à l'écart de la chaleur (plus de 60°C ou 140°F) et des produits chimiques (diluants, acides puissants ou substances alcalines). Il faut également faire courir le tuyau à l'écart des obstacles où il risquerait de se coincer pendant l'utilisation de l'outil. Les tuyaux doivent également être placés à l'écart des bords tranchants et de toute surface pouvant entraîner l'endommagement ou l'abrasion du tuyau. (Fig. 27)

Pour maintenir la SÉCURITÉ et la FIABILITÉ du produit, les réparations, travaux d'entretien et autres réglages doivent être effectués dans un centre de service après-vente agréé Makita ou un centre de service de l'usine Makita, exclusivement avec des pièces de rechange Makita.

ACCESSOIRES

ATTENTION :

- Ces accessoires ou pièces complémentaires sont recommandés pour l'utilisation avec l'outil Makita spécifié dans ce manuel. L'utilisation de tout autre accessoire ou pièce complémentaire peut comporter un risque de blessure. N'utilisez les accessoires ou pièces qu'aux fins auxquelles ils ont été conçus.

Si vous désirez obtenir plus de détails concernant ces accessoires, veuillez contacter le centre de service après-vente Makita le plus près.

- Agrafes
- Tuyaux d'air
- Lunettes de sécurité

Übersicht

1 Kompressor-Luftleistung pro Minute	8 Drücker	17 Schlitzschraubenzieher
2 Heftfrequenz (Auslösungen/Minute)	9 Anschlussnippel	18 Klinke
3 Tiefeneinstellplatte	10 Anschlussmuffe	19 Klappe
4 Inbusschlüssel	11 Auslöser	20 Ablasshahn
5 Haken	12 Kontaktfuß	21 Luffilter
6 Schraube	13 Werkstück	22 Öler
7 Arretierstift	14 Auslassabdeckung	23 Druckluftöl
	15 Treiberführung	
	16 Klinke	

TECHNISCHE DATEN

Modell	AT1150A	AT2550A
Luftdruck	0,44 – 0,83 MPa (4,4 – 8,3 bar)	
Verwendbare Heftklammern	25 mm – 50 mm	
Heftkapazität	140 Stk.	
Min. Schlauchdurchmesser	6,5 mm	
Abmessungen (L x B x H)	370 mm x 87 mm x 290 mm	370 mm x 76 mm x 260 mm
Nettogewicht	2,3 kg	2,3 kg

- Wir behalten uns vor, Änderungen im Zuge der Entwicklung und des technischen Fortschritts ohne vorherige Ankündigung vorzunehmen.
- Hinweis: Die technischen Daten können von Land zu Land abweichen.

WICHTIGE SICHERHEITSVORSCHRIFTEN

WARNUNG:

BEI DER BENUTZUNG DIESES WERKZEUGS MÜSSEN ZUR VERRINGERUNG DER VERLETZUNGSGEFAHR STETS DIE GRUNDSÄTZLICHEN SICHERHEITSHINWEISE, EINSCHLIESSLICH DER FOLGENDEN HINWEISE, BEFOLGT WERDEN:

ALLE ANWEISUNGEN DURCHLESEN.

- Um Ihre persönliche Sicherheit und sachgerechten Betrieb und Wartung des Werkzeugs zu gewährleisten, sollten Sie diese Bedienungsanleitung vor der Benutzung des Werkzeugs durchlesen.
- Tragen Sie zum Schutz Ihrer Augen vor Staub oder Heftklammerverletzungen stets eine Schutzbrille.

WARNUNG:

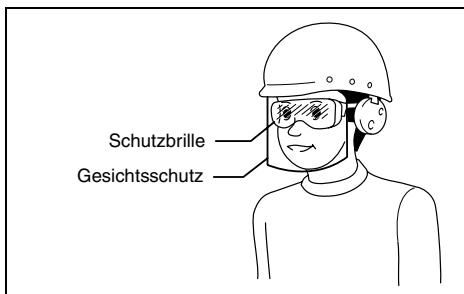
Der Arbeitgeber ist dafür verantwortlich, den Gebrauch von Schutzbrillen für die Werkzeugbenutzer und andere Personen im unmittelbaren Arbeitsbereich durchzusetzen.

- Nur für Australien und Neuseeland

Tragen Sie zum Schutz Ihrer Augen vor Staub oder Heftklammerverletzungen stets eine Schutzbrille und einen Gesichtsschutz. Schutzbrille und Gesichtsschutz müssen den Anforderungen von AS/NZS 1336 entsprechen.

WARNUNG:

Der Arbeitgeber ist dafür verantwortlich, den Gebrauch von Schutzbrillen für die Werkzeugbenutzer und andere Personen im unmittelbaren Arbeitsbereich durchzusetzen.



- Tragen Sie einen Gehörschutz, um Ihre Ohren vor dem Auspuffgeräusch und Kopfverletzungen zu schützen. Tragen Sie auch leichte, aber keine lose Kleidung. Ärmel müssen zugeknöpft oder hochgerollt werden. Tragen Sie keine Krawatte.
- Eile bei der Arbeit oder gewaltsamer Gebrauch des Werkzeugs ist gefährlich. Behandeln Sie das Werkzeug sorgfältig. Benutzen Sie das Werkzeug nicht unter dem Einfluss von Alkohol, Drogen oder dergleichen.

Allgemeine Richtlinien zur Handhabung des Werkzeugs:

1. Gehen Sie stets von der Annahme aus, dass das Werkzeug Nägel enthält.
2. Richten Sie das Werkzeug niemals auf sich selbst oder andere Personen, ganz gleich, ob es Nägel enthält oder nicht.
3. Betätigen Sie das Werkzeug nur, wenn es fest auf das Werkstück aufgesetzt ist.
4. Respektieren Sie das Werkzeug als Arbeitsmittel.
5. Kein Herumalbern.
6. Halten oder tragen Sie das Werkzeug nicht mit dem Finger am Auslöser.

7. Beladen Sie das Werkzeug nicht mit Nägeln, wenn eines der Bedienelemente aktiviert ist.
 8. Betreiben Sie das Werkzeug nur mit der in den Betriebs-/Sicherheitsanweisungen des Werkzeugs angegebenen Energiequelle.
- Benutzen Sie das Werkzeug nicht, wenn es nicht einwandfrei funktioniert.
 - Bei der Benutzung des Werkzeugs können manchmal Funken fliegen. Benutzen Sie das Werkzeug nicht in der Nähe leichtflüchtiger, brennbarer Substanzen, wie Benzin, Verdünnern, Lack, Gas, Klebstoff usw., weil diese Feuer fangen und explodieren können, was schwere Verletzungen zur Folge haben kann.
 - Der Arbeitsplatz sollte ausreichend beleuchtet sein, um sicheres Arbeiten zu gewährleisten. Der Arbeitsplatz sollte sauber und aufgeräumt sein. Achten Sie besonders auf guten Stand und Gleichgewicht.
 - Nur mit der Arbeit beschäftigte Personen sollten sich in der Nähe aufhalten. Besonders Kinder müssen immer ferngehalten werden.
 - Befolgen Sie etwaige örtliche Lärmschutzvorschriften, indem Sie die Geräuschpegel innerhalb der vorgeschriebenen Grenzen halten. In bestimmten Fällen sollten Jalousien verwendet werden, um Lärm einzudämmen.
 - Spielen Sie nicht mit dem Kontaktfuß herum: Er verhütet eine versehentliche Auslösung, weshalb er montiert bleiben muss und nicht entfernt werden darf. Die Arretierung des Auslösers in der Einschaltstellung ist ebenfalls sehr gefährlich. Versuchen Sie niemals, den Auslöser zu arretieren. Benutzen Sie das Werkzeug nicht, falls irgendein Bedienelement funktionsunfähig, abgetrennt, abgeändert oder mangelhaft ist.
 - Betreiben Sie das Werkzeug innerhalb des vorgeschriebenen Luftdruckbereichs von 0,44 – 0,83 MPa (4,4 – 8,3 bar), um Sicherheit und längere Lebensdauer des Werkzeugs zu gewährleisten. Überschreiten Sie nicht den empfohlenen max. Betriebsdruck von 0,83 MPa (8,3 bar). Das Werkzeug darf nicht an eine Druckluftquelle angeschlossen werden, deren Druck 1,37 MPa (13,7 bar) überschreiten kann.
 - Vergewissern Sie sich, dass der vom Druckluftsystem gelieferte Luftdruck nicht den höchstzulässigen Luftdruck des Naglers überschreitet. Stellen Sie den Luftdruck anfänglich auf den niedrigeren Wert des empfohlenen zulässigen Drucks ein (siehe TECHNISCHE DATEN).
 - Betreiben Sie das Werkzeug nur mit Druckluft. Falls Flaschengas (Kohlendioxid, Sauerstoff, Stickstoff, Wasserstoff, Pressluft usw.) oder brennbares Gas (Wasserstoff, Propan, Acetylen usw.) als Treibgas für dieses Werkzeug verwendet wird, besteht die Gefahr, dass das Werkzeug explodiert und schwere Verletzungen verursacht.
 - Überprüfen Sie das Werkzeug vor der Benutzung stets auf seinen Allgemeinzustand und lockere Schrauben. Erforderlichenfalls anziehen.
 - Vergewissern Sie sich vor der Benutzung, dass alle Sicherheitssysteme in gutem Betriebszustand sind. Das Werkzeug darf nicht auslösen, wenn nur der Auslöser gezogen oder nur der Kontaktarm gegen das Holz gedrückt wird. Es darf nur auslösen, wenn beide Aktionen durchgeführt werden. Überprüfen Sie das Werkzeug bei herausgenommenen Heftklammern auf möglichen fehlerhaften Betrieb.
 - Überprüfen Sie Wand, Decke, Fußboden, Dach und dergleichen sorgfältig, um durch Kontakt mit stromführenden Kabeln, Isolierrohren oder Gasrohren verursachte mögliche elektrische Schläge, Gaslecks, Explosionen usw. zu vermeiden.
 - Verwenden Sie nur die in dieser Anleitung angegebenen Heftklammern. Die Verwendung anderer Heftklammern kann eine Funktionsstörung des Werkzeugs verursachen.
 - Benutzen Sie niemals mit der Aufschrift „Nicht auf Gerüsten, Leitern verwenden“ versehene Nagler für spezifische Anwendungen, wie z.B.:
 - wenn für einen Arbeitsplatzwechsel Gerüste, Treppen, Leitern oder leiterähnliche Konstruktionen, wie z.B. Dachlatten erforderlich sind;
 - zum Verschließen von Kisten oder Verschlüssen;
 - zum Anbringen von Transportsicherheitssystemen z.B. an Fahrzeugen und Wagen.
 - Ungewübten Personen ist die Benutzung des Werkzeugs zu untersagen.
 - Vergewissern Sie sich, dass keine Personen in der Nähe sind, bevor Sie mit dem Heften beginnen. Versuchen Sie niemals, gleichzeitig von innen und außen zu heften. Heftklammern können durchschlagen und/oder herausfliegen, was eine große Gefahr darstellt.
 - Achten Sie beim Arbeiten mit dem Werkzeug auf sicheren Stand und Gleichgewicht. Vergewissern Sie sich, dass sich bei Arbeiten an hochgelegenen Arbeitsplätzen keine Personen unterhalb aufhalten, und sichern Sie den Luftschlauch, um Gefahren zu verhüten, falls er plötzlich ruckt oder hängen bleibt.
 - Bewegen Sie sich beim Heften auf Dächern und anderen hochgelegenen Orten in Vorwärtsrichtung. Wenn Sie sich rückwärts bewegen, können Sie leicht den Stand verlieren. Heften Sie bei Arbeiten an senkrechten Flächen von oben nach unten. Dadurch ermüden Sie nicht so schnell beim Heften.
 - Eine Heftklammer kann sich verbiegen oder im Werkzeug verklemmen, wenn Sie versehentlich auf eine andere Heftklammer oder einen Knoten im Holz treffen. Die Heftklammer kann herausgeschleudert werden und jemand treffen, oder das Werkzeug selbst kann gefährlich reagieren. Setzen Sie die Heftklammern mit Sorgfalt.
 - Lassen Sie das geladene Werkzeug oder den Kompressor nicht längere Zeit unter Druck in der Sonne liegen. Achten Sie darauf, dass am Ablageplatz des Werkzeugs kein Staub, Sand, Späne oder Fremdkörper in das Werkzeug eindringen.
 - Richten Sie die Auswurföffnung nicht auf in der Nähe befindliche Personen. Halten Sie Hände und Füße vom Bereich der Auswurföffnung fern.

- Tragen Sie das Werkzeug bei angeschlossenem Luftschlauch nicht mit dem Finger am Auslöser, und übergeben Sie es in diesem Zustand auch nicht anderen Personen. Versehentliche Auslösung kann äußerst gefährlich sein.
- Behandeln Sie das Werkzeug sorgfältig, da es unter hohem Druck steht, der gefährlich sein kann, falls ein Riss durch grobe Behandlung (Fallenlassen oder Anstoßen) verursacht wird. Versuchen Sie nicht, in das Werkzeug einzuritzen oder einzugravieren.
- Brechen Sie den Heftbetrieb sofort ab, wenn Sie einen Defekt oder etwas Ungewöhnliches am Werkzeug feststellen.
- Trennen Sie stets den Luftschlauch ab und entfernen Sie alle Heftklammern:
 1. Wenn das Werkzeug unbeaufsichtigt ist.
 2. Bevor Sie Wartungs- oder Reparaturarbeiten durchführen.
 3. Bevor Sie einen Nagelstau beseitigen.
 4. Bevor Sie das Werkzeug zu einem anderen Ort transportieren.
- Führen Sie eine Reinigung und Wartung unmittelbar nach Abschluss der Arbeit durch. Halten Sie das Werkzeug stets in einwandfreiem Zustand. Schmieren Sie bewegliche Teile, um Rostbildung zu verhüten und Reibungsverschleiß zu minimieren. Säubern Sie alle Teile von Staub.
- Benutzen Sie dieses Werkzeug nicht, wenn es keinen lesbaren WARNAUFKLEBER aufweist.
- Nehmen Sie keine Änderungen am Werkzeug vor, die nicht von Makita genehmigt wurden.
- Lassen Sie das Werkzeug regelmäßig von autorisierten Makita-Kundendienststellen überprüfen.
- Um die SICHERHEIT und ZUVERLÄSSIGKEIT dieses Produkts zu gewährleisten, sollten Reparatur- und Wartungsarbeiten nur von autorisierten Makita-Kundendienstzentren unter ausschließlicher Verwendung von Makita-Originalersatzteilen ausgeführt werden.
- Verwenden Sie nur das in dieser Anleitung angegebene Druckluftwerkzeugöl.
- Schließen Sie das Werkzeug niemals an eine Druckluftleitung an, die den höchstzulässigen Luftdruck des Werkzeugs um 10% überschreitet. Vergewissern Sie sich, dass der vom Druckluftsystem gelieferte Luftdruck nicht den höchstzulässigen Luftdruck des Naglers überschreitet. Stellen Sie den Luftdruck anfänglich auf den niedrigeren Wert des empfohlenen zulässigen Drucks ein.
- Versuchen Sie nicht, den Auslöser oder Kontaktfuß mit Klebeband oder Draht gedrückt zu halten. Es kann sonst zu tödlichen oder schweren Verletzungen kommen.
- Überprüfen Sie den Kontaktfuß stets gemäß der Anweisung in dieser Anleitung. Falls der Sicherheitsmechanismus nicht korrekt funktioniert, können Heftklammern versehentlich abgeschossen werden.

DIESE ANWEISUNGEN AUFBEWAHREN.

INSTALLATION

Auswählen des Kompressors (Abb. 1 und 2)

Wählen Sie einen Kompressor mit reichlicher Luftdruck- und Luftmengenleistung, um kosteneffizienten Betrieb zu gewährleisten. Das Diagramm zeigt die Beziehung zwischen Heftfrequenz, anwendbarem Druck und Kompressor-Luftleistung.

Wenn der Heftbetrieb beispielsweise mit einer Rate von ca. 60 Auslösungen pro Minute bei einem Druck von 0,68 MPa (6,8 bar) erfolgt, ist ein Kompressor mit einer Luftmengenleistung von über 90 Liter/Minute erforderlich. Druckregler müssen verwendet werden, um den Luftdruck auf den Nenndruck des Werkzeugs zu begrenzen, wenn der Luftquellendruck den Nenndruck des Werkzeugs überschreitet. Eine Missachtung dieses Punkts kann zu schweren Verletzungen des Werkzeugbenutzers oder in der Nähe befindlicher Personen führen.

Auswählen des Luftschlauchs (Abb. 3)

Verwenden Sie einen möglichst dicken und kurzen Luftschlauch, um kontinuierlichen, effizienten Heftbetrieb zu gewährleisten. Bei einem Luftdruck von 0,49 MPa (4,9 bar) wird ein Luftschlauch mit einem Innendurchmesser von über 8,5 mm und einer Länge von unter 20 m empfohlen, wenn das Heftintervall 0,5 Sekunden beträgt. Der Luftschlauch muss eine minimale Arbeitsdruckleistung von 1,0 MPa (10 bar) oder 150 Prozent des im System erzeugten Maximaldrucks haben, je nachdem, welcher Wert höher ist.

VORSICHT:

- Eine zu geringe Luftleistung des Kompressors oder ein Luftschlauch mit einer zu großen Länge oder einem zu kleinen Durchmesser in Bezug auf die Heftfrequenz kann eine Abnahme der Eintreibleistung des Werkzeugs verursachen.

Schmierung (Abb. 4)

Um maximale Leistung zu gewährleisten, sollte der Luftsatz (Öler, Regler, Luftfilter) möglichst nahe am Werkzeug installiert werden. Stellen Sie den Öler so ein, dass er einen Tropfen Öl für jeweils 50 Heftklammern liefert. Wenn kein Luftsatz verwendet wird, ölen Sie das Werkzeug mit Druckluftwerkzeugöl, indem Sie 2 (zwei) bis 3 (drei) Tropfen in den Anschlussnippel geben. Dies sollte vor und nach dem Gebrauch erfolgen. Für eine einwandfreie Schmierung muss das Werkzeug ein paar Mal ausgelöst werden, nachdem das Druckluftwerkzeugöl eingegeben worden ist.

FUNKTIONSBESCHREIBUNG

VORSICHT:

- Trennen Sie den Schlauch stets ab, bevor Sie eine Einstellung oder Überprüfung am Werkzeug vornehmen.

Einstellen der Hefttiefe

Um die Hefttiefe einzustellen, lösen Sie die Schraube mit dem mitgelieferten Inbusschlüssel, und schieben Sie dann die Tiefeneinstellplatte nach oben oder unten. (Abb. 5)

Falls die Heftklammern nicht tief genug eingetrieben werden, schieben Sie die Einstellplatte in Pfeilrichtung, wie in der Abbildung gezeigt. (Abb. 6)

Falls die Heftklammern zu tief eingetrieben werden, schieben Sie die Einstellplatte in Pfeilrichtung, wie in der Abbildung gezeigt. (Abb. 7)

Die Tiefe kann von 5 mm bis Maximaltiefe eingestellt werden. Ziehen Sie die Schraube nach der Einstellung an der korrekten Position sicher fest.

MONTAGE

VORSICHT:

- Trennen Sie stets den Schlauch ab, bevor Sie irgendwelche Arbeiten am Werkzeug ausführen.

Haken

VORSICHT:

- Trennen Sie stets den Schlauch vom Werkzeug ab.
- Hängen Sie das Werkzeug auf keinen Fall an hochgelegenen Stellen oder an einer potentiell instabilen Fläche auf.

Der Haken ist praktisch, um das Werkzeug vorübergehend aufzuhängen. Befestigen Sie den Haken am Werkzeug mit der mitgelieferten Schraube unter Verwendung eines der beiden Löcher im Haken, wie in der Abbildung gezeigt. **(Abb. 8)**

Laden des Hefters

VORSICHT:

- Trennen Sie vor dem Laden des Werkzeugs stets den Schlauch ab.
- Verwenden Sie keine verformten Heftklammern oder Heftklammerstreifen. Anderenfalls kann es zu Transportstörungen der Heftklammern kommen.
- Verwenden Sie nur die in dieser Anleitung angegebenen Heftklammern. Anderenfalls kann es zu Transportstörungen der Heftklammern kommen.
- Führen Sie den Drücker stets langsam und sachte zurück, während Sie ihn mit der Hand halten.

Wählen Sie für Ihre Arbeit geeignete Heftklammern aus. Vergewissern Sie sich, dass der Schlauch vom Werkzeug abgetrennt ist.

1. Ziehen Sie den Drücker zur Rückseite des Magazins, und hängen Sie ihn mit der Nut in den Arretierstift ein. **(Abb. 9)**
2. Legen Sie den Heftklammerstreifen in das Magazin ein. Zwei Heftklammerstreifen können eingelegt werden. **(Abb. 10)**
3. Drücken Sie den Arretierstift leicht hinein, und ziehen Sie den Drücker, um ihn auszurasten. Führen Sie den Drücker bei gedrücktem Arretierstift langsam und sachte in seine Ausgangsstellung zurück. Halten Sie den Arretierstift gedrückt, bis er hindurchgeht. **(Abb. 11)**

Anschließen des Luftschlauchs (Abb. 12)

Schieben Sie die Anschlussmuffe des Luftschlauchs auf den Anschlussnippel des Hefters. Vergewissern Sie sich, dass die Anschlussmuffe fest einrastet, wenn sie auf den Anschlussnippel geschoben wird. Eine Schlauchkupplung muss so am Werkzeug oder in dessen Nähe installiert werden, dass der Druckvorrat abgelassen wird, wenn die Luftquellenkupplung abgetrennt wird.

BEDIENUNG

VORSICHT:

- Vergewissern Sie sich vor der Benutzung, dass alle Sicherheitssysteme in gutem Betriebszustand sind.
1. Ziehen Sie zuerst den Auslöser, und setzen Sie dann den Kontaktfuß auf das Werkstück. **(Abb. 13 und 14)**
 2. Um eine Heftklammer einzutreiben, können Sie den Kontaktfuß auf das Werkstück setzen und den Auslöser ziehen, oder verwenden Sie die Methode Nr. 1 für Dauerheften. Die Methode Nr. 2 eignet sich für absatzweises Heften, wenn Sie eine Heftklammer sorgfältig und sehr genau eintreiben wollen.

VORSICHT:

- Ist das Werkzeug jedoch auf den Modus "Absatzweises Heften" eingestellt, kann BEI HALB GEDRÜCKTEM AUSLÖSER eine plötzliche Auslösung erfolgen, falls der Kontaktfuß unter dem Einfluss des Rückpralls erneut mit dem Werkstück oder der anderen Oberfläche in Berührung kommt. Um eine solche plötzliche Auslösung zu vermeiden, beachten Sie Folgendes:

- A. Drücken sie den Kontaktfuß nicht mit übermäßiger Kraft gegen das Werkstück.
- B. Ziehen Sie den Auslöser ganz durch, und halten Sie ihn nach dem Heften noch 1 – 2 Sekunden lang gedrückt.

Für Methode Nr. 2 wird der OPTIONALE FOLGEAUSLÖSER (EIN-SCHUSS-TEIL) verwendet. Ersetzen Sie den Auslöser durch dieses Teil.

Ablufrichtung (Abb. 15)

Die Ablufrichtung kann durch Drehen der Auslassabdeckung von Hand innerhalb von 360° eingestellt werden.

Entfernen gestauter Heftklammern

WARNUNG

- Trennen Sie stets den Schlauch ab, bevor Sie Heftklammern entfernen.

Nehmen Sie die Heftklammern aus dem Magazin heraus.

Heben Sie die Klinke an der Oberseite der Treiberführung von Hand an. **(Abb. 16)**

Falls sich die Klinke nicht von Hand anheben lässt, führen Sie einen Schlitzschraubenzieher in den Spalt zwischen Klinke und Klappe ein, um die Klinke hochzudrücken. **(Abb. 17)**

Öffnen Sie die Klappe, und nehmen Sie die Heftklammern heraus. **(Abb. 18)**

Hängen Sie die Klinkefeder in die zwei Haken der Treiberführung ein, und bringen Sie die Klinke durch Drücken wieder in ihre Ausgangsstellung. **(Abb. 19)**

VORSICHT:

- Falls die Spitze des Heftklammertreibers abgenutzt ist, ist die Wahrscheinlichkeit von Heftklammerstaus und zu flachem Eintreiben größer. Wenn dies eintritt, lassen Sie das Werkzeug von einer Makita-Vertragswerkstatt oder einer Makita-Kundendienststelle reparieren.

WARTUNG

VORSICHT:

- Trennen Sie stets den Luftschlauch vom Werkzeug ab, bevor Sie Inspektions- oder Wartungsarbeiten ausführen.

Wartung des Hefters

Überprüfen Sie das Werkzeug vor der Benutzung stets auf seinen Allgemeinzustand und lockere Schrauben. Erforderlichenfalls anziehen. **(Abb. 20)**

Führen Sie die tägliche Inspektion bei abgetrenntem Werkzeug durch, um sicherzustellen, dass sich Kontaktfuß und Auslöser ungehindert bewegen. Benutzen Sie das Werkzeug nicht, falls der Kontaktfuß oder der Auslöser klemmt oder blockiert. **(Abb. 21)**

Wenn das Werkzeug längere Zeit nicht benutzt werden soll, schmieren Sie es mit Druckluftwerkzeugöl, und lagern Sie es an einem sicheren Ort. Vermeiden Sie Orte, die direktem Sonnenlicht ausgesetzt sind und/oder feuchte oder heiße Umgebungen. **(Abb. 22 und 23)**

Wartung von Kompressor, Luftsatz und Luftschlauch (Abb. 24 und 25)

Nach jedem Betrieb sollten Kompressortank und Luftfilter entleert werden. In das Werkzeug eingedrungene Feuchtigkeit kann eine Verschlechterung der Leistung und ein mögliches Versagen des Werkzeugs verursachen. Prüfen Sie regelmäßig nach, ob genügend Druckluftöl im Öler des Luftsatzes vorhanden ist. Eine Vernachlässigung der Schmierung führt zu schnellem Verschleiß der O-Ringe. **(Abb. 26)**

Halten Sie den Luftschlauch von Wärmequellen (über 60°C) und Chemikalien (Verdünner, starken Säuren oder Laugen) fern. Achten Sie auch darauf, dass sich der Schlauch nicht an Hindernissen verfängt, was während des Betriebs gefährlich sein kann. Der Schlauch darf auch nicht mit scharfen Kanten oder Gegenständen in Berührung kommen, die eine Beschädigung oder Abrieb des Schlauchs verursachen können. **(Abb. 27)**

Um die SICHERHEIT und ZUVERLÄSSIGKEIT dieses Produkts zu gewährleisten, sollten Reparaturen und andere Wartungs- oder Einstellarbeiten nur von Makita-Vertragswerkstätten oder Makita-Kundendienstzentren unter ausschließlicher Verwendung von Makita-Originalersatzteilen ausgeführt werden.

ZUBEHÖR

VORSICHT:

- Die folgenden Zubehörteile oder Vorrichtungen werden für den Einsatz mit der in dieser Anleitung beschriebenen Makita-Werkzeug empfohlen. Die Verwendung anderer Zubehörteile oder Vorrichtungen kann eine Verletzungsgefahr darstellen. Verwenden Sie Zubehörteile oder Vorrichtungen nur für ihren vorgesehenen Zweck.

Wenn Sie weitere Einzelheiten bezüglich dieser Zubehörteile benötigen, wenden Sie sich bitte an Ihre Makita-Kundendienststelle.

- Heftklammern
- Luftschläuche
- Schutzbrille

Visione generale

- | | | |
|--|-------------------------|------------------------------|
| 1 Uscita aria compressore al minuto | 7 Perno di blocco | 16 Chiusura |
| 2 Frequenza di chiodatura (volte/min.) | 8 Dispositivo di spinta | 17 Cacciavite a punta piatta |
| 3 Piastrina di regolazione profondità | 9 Raccordo aria | 18 Chiusura |
| 4 Chiave esagonale | 10 Presa d'aria | 19 Sportello |
| 5 Gancio | 11 Grilletto | 20 Rubinetto di scarico |
| 6 Vite | 12 Elemento di contatto | 21 Filtro aria |
| | 13 Pezzo | 22 Oliatore |
| | 14 Coperchio di scarico | 23 Olio pneumatico |
| | 15 Guida conduttore | |

DATI TECNICI

Modello	AT1150A	AT2550A
Pressione aria	0,44 – 0,83 MPa (4,4 – 8,3 bar)	
Punti utilizzabili	25 mm – 50 mm	
Capacità chiodi	140 pcs.	
Diametro minimo tubo	6,5 mm	
Dimensioni (L x A x P)	370 mm x 87 mm x 290 mm	370 mm x 76 mm x 260 mm
Peso netto	2,3 kg	2,3 kg

- Per il nostro programma di ricerca e sviluppo continui, i dati tecnici sono soggetti a modifiche senza preavviso.
- Nota: I dati tecnici potrebbero differire a seconda del paese di destinazione del modello.

ISTRUZIONI IMPORTANTI PER LA SICUREZZA

ATTENZIONE:
PER RIDURRE IL RISCHIO DI LESIONI PERSONALI, USANDO QUESTO UTENSILE BISOGNA SEMPRE OSSERVARE LE PRECAUZIONI DI BASE PER LA SICUREZZA COMPRESSE QUELLE SEGUENTI:

LEGGERE TUTTE LE ISTRUZIONI.

- Per la propria sicurezza personale e per il funzionamento e la manutenzione corretti dell'utensile, leggere questo manuale di istruzioni prima di usarlo.
- Portare sempre gli occhiali di protezione, per proteggere gli occhi dalla polvere o dalle lesioni causate dai chiodi.

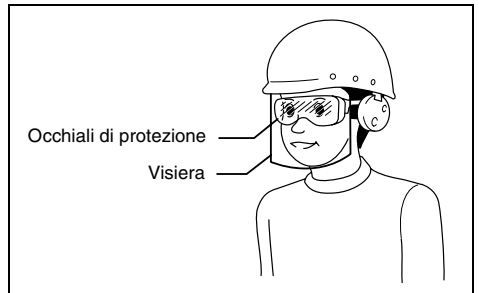
AVVERTIMENTO:

È responsabilità del datore di lavoro di obbligare gli operatori dell'utensile e le persone nelle immediate vicinanze a portare occhiali di protezione.

- Per l'Australia e la Nuova Zelanda soltanto Portare sempre gli occhiali di protezione e la visiera, per proteggere gli occhi dalla polvere o dalle lesioni causate dai chiodi. Gli occhiali di protezione e la visiera devono essere conformi ai requisiti AS/NZS 1336.

AVVERTIMENTO:

È responsabilità del datore di lavoro di obbligare gli operatori dell'utensile e le persone nelle immediate vicinanze a portare occhiali di protezione.



- Indossare paraorecchi per proteggere le orecchie dal rumore di scarico. Indossare anche un casco. Indossare sempre abiti leggeri e aderenti. Le maniche devono essere abbottonate o rimboccate. Non si deve portare la cravatta.
- La fretta nel lavoro o lo sforzare l'utensile sono pericolosi. Maneggiare l'utensile con attenzione. Non usarlo sotto l'influenza di alcol, droghe e sostanze simili.

Principi generali per il maneggiamento dell'utensile:

1. Presupporre sempre che l'utensile contenga i chiodi.
2. Non puntare l'utensile su di sé o sugli altri, che contenga o meno i chiodi.
3. Non attivare l'utensile se non è appoggiato saldamente al pezzo.
4. Rispettare l'utensile come uno strumento di lavoro.
5. Non giocare con esso.
6. Non tenere o trasportare l'utensile con un dito sul grilletto.
7. Non caricare i chiodi nell'utensile quando uno qualsiasi dei controlli di funzionamento è attivato.

8. Non far funzionare l'utensile con una fonte di alimentazione diversa da quella specificata nelle istruzioni per l'uso/sicurezza.
- Non si deve usare l'utensile se non funziona correttamente.
 - A volte quando si usa l'utensile potrebbero volare delle scintille. Non usare l'utensile vicino a sostanze volatili e infiammabili, come benzina, solventi, vernici, gas, adesivi, ecc., perché possono accendersi ed esplodere causando lesioni serie.
 - L'area di lavoro deve essere sufficientemente illuminata per garantire operazioni sicure. L'area di lavoro deve essere pulita e senza rifiuti. Fare particolarmente attenzione a mantenere un buon equilibrio e i piedi bene appoggiati.
 - Nelle vicinanze ci deve essere soltanto chi lavora. I bambini devono sempre essere tenuti lontano.
 - Ci potrebbero essere delle norme locali sui rumori, che vanno rispettate mantenendo il livello del rumore entro i limiti prescritti. In certi casi, usare dei ripari per limitare il rumore.
 - Non giocare con l'elemento di contatto: Esso impedisce la scarica accidentale, per cui va mantenuto in posizione e non deve essere rimosso. Anche fissare il grilletto in posizione ON è molto pericoloso. Non si deve mai fissare il grilletto. Non si deve usare l'utensile se una qualsiasi delle sue parti è inutilizzabile, staccata, alterata o non funziona correttamente.
 - Per la sicurezza e la lunga vita dell'utensile, farlo funzionare con la pressione d'aria specificata di 0,44 – 0,83 MPa (4,4 – 8,3 bar). Non superare la pressione massima raccomandata di 0,83 MPa (8,3 bar). L'utensile non deve essere collegato a una fonte la cui pressione superi potenzialmente 1,37 MPa (13,7 bar).
 - Accertarsi che la pressione alimentata al sistema d'aria compressa non superi la pressione massima permessa dell'utensile di chiodatura. Regolare inizialmente la pressione dell'aria al valore più basso della pressione permessa raccomandata (vedere i DATI TECNICI).
 - L'utensile deve essere usato esclusivamente con aria compressa. Se come fonte di alimentazione dell'utensile si usa una bomboletta del gas (biossido di carbonio, ossigeno, azoto, idrogeno, aria, ecc.) o un gas combustibile (idrogeno, propano, acetilene, ecc.), esso esplose causando lesioni serie.
 - Prima dell'uso, controllare sempre le condizioni generali dell'utensile e che non ci siano viti allentate. Stringerle come necessario.
 - Accertarsi che tutti i sistemi di sicurezza funzionino correttamente prima dell'uso. L'utensile non deve funzionare se si schiaccia soltanto il grilletto o si preme soltanto il braccio di contatto contro il legno. Esso deve funzionare soltanto quando si eseguono entrambe queste operazioni. Controllare se il funzionamento è difettoso senza aver caricato i chiodi.
 - Controllare con cura le pareti, i soffitti, i pavimenti e i tetti per evitare potenziali scosse elettriche, perdite di gas, esplosioni, ecc., causate dall'aver colpito fili elettrici sotto tensione, tubazioni o tubi del gas.
 - Usare soltanto i chiodi specificati in questo manuale. L'utilizzo di qualsiasi altro tipo di chiodi potrebbe causare un malfunzionamento dell'utensile.
 - Non si devono mai usare chiodatrici marchiate con il simbolo "Non usare su impalcature, scale a pioli" per applicazioni specifiche, per esempio:
 - se il cambiamento del posto di chiodatura richiede l'utilizzo di impalcature, scale a pioli, montacarichi od altri materiali di costruzione, per esempio travi di legno.
 - per chiudere scatole o casse di legno.
 - sistemi di sicurezza per il trasporto, per es., su veicoli o vagoni.
 - Non far usare l'utensile da chi non lo sa usare.
 - Accertarsi che non ci siano persone nelle vicinanze prima della chiodatura. Non si deve mai cercare di inchiodare dall'interno e dall'esterno allo stesso tempo. I chiodi potrebbero trapassare e/o volare via causando un grave pericolo.
 - Usando l'utensile, guardare dove si mettono i piedi e mantenersi in equilibrio. Accertarsi che sotto non ci sia nessuno quando si lavora in luoghi alti, e fissare il tubo dell'aria per evitare pericoli se c'è un movimento improvviso o se rimane impigliato.
 - Sui tetti e altri luoghi alti, inchiodare spostandosi in avanti. Si può facilmente perdere l'appoggio dei piedi se si inchioda spostandosi indietro. Per inchiodare su superfici perpendicolari, procedere dall'alto al basso. Ciò rende le operazioni di chiodatura meno faticose.
 - Se per sbaglio si inchioda su un altro chiodo o su un nodo del legno, il chiodo potrebbe diventare storto o l'utensile incepparsi. Il chiodo potrebbe essere scagliato via e colpire qualcuno, oppure l'utensile stesso potrebbe reagire in modo pericoloso. Piazzare i chiodi con cura.
 - Non lasciare l'utensile carico o il compressore d'aria sotto pressione per un lungo periodo di tempo al sole. Fare attenzione che polvere, sabbia, trucioli od altre sostanze estranee non entrino nell'utensile nel posto dove viene lasciato.
 - Non puntare il foro di espulsione su qualcuno vicino. Tenere le mani e i piedi lontani dall'area del foro di espulsione.
 - Quando si è collegato il tubo dell'aria, non trasportare l'utensile con il dito sul grilletto o passarlo a qualcuno in questa condizione. L'espulsione accidentale dei chiodi può essere estremamente pericolosa.
 - Maneggiare l'utensile con attenzione, perché all'interno c'è un'alta pressione che può essere pericolosa se si causa una crepa maneggiandolo in modo sbagliato (facendolo cadere o se subisce un colpo). Fare attenzione a non intagliare o incidere l'utensile.
 - Smettere immediatamente l'operazione di chiodatura se si nota qualcosa di sbagliato o di anormale nell'utensile.

- Staccare sempre il tubo dell'aria e rimuovere tutti i chiodi:
 1. Lasciando incustodito l'utensile.
 2. Prima di eseguire un qualsiasi intervento di manutenzione o di riparazione.
 3. Prima di correggere un inceppamento.
 4. Prima di portare l'utensile in un altro luogo.
- Eseguire la pulizia e la manutenzione subito dopo la fine del lavoro. Mantenere l'utensile in ottime condizioni. Lubrificare le parti mobili per evitare che si arrugginiscono e minimizzare l'usura causata dagli attriti. Togliere tutta la polvere dalle parti.
- Non usare questo utensile se non contiene una **ETICHETTA DI AVVERTIMENTO** leggibile.
- Non modificare l'utensile senza l'autorizzazione di Makita.
- Richiedere l'ispezione periodica dell'utensile da un centro di assistenza Makita autorizzato.
- Per mantenere la **SICUREZZA** e l'**AFFIDABILITÀ** del prodotto, la manutenzione e le riparazioni devono essere fatte da un centro di assistenza Makita autorizzato usando sempre ricambi Makita.
- Usare soltanto l'olio pneumatico specificato in questo manuale.
- Non collegare mai l'utensile a una fonte d'aria compressa la cui pressione massima permessa non può superare del 10% quella dell'utensile. Accertarsi che la pressione alimentata al sistema d'aria compressa non superi la pressione massima permessa dell'utensile di chiodatura. Regolare inizialmente la pressione dell'aria al valore più basso della pressione permessa raccomandata.
- Non mantenere schiacciato l'elemento di contatto del grilletto con nastro adesivo o filo di ferro. C'è pericolo di morte o di lesioni gravi.
- Controllare sempre l'elemento di contatto come indicato in questo manuale di istruzioni. I chiodi potrebbero essere espulsi accidentalmente se il meccanismo di sicurezza non funziona correttamente.

CONSERVARE QUESTE ISTRUZIONI.

INSTALLAZIONE

Selezione del compressore (Fig. 1 e 2)

Selezionare un compressore con un'ampia pressione e uscita d'aria, per assicurare un funzionamento efficiente in termini di costi. Il grafico mostra il rapporto tra la frequenza di chiodatura e la pressione e uscita applicabili del compressore.

Per esempio, se la chiodatura avviene alla velocità di circa 60 volte al minuto con la compressione di 0,68 MPa (6,8 bar), è necessario un compressore con una uscita aria di oltre 90 L/min.

Se la pressione di alimentazione aria supera la pressione nominale dell'utensile, bisogna usare regolatori per limitare la pressione dell'aria alla pressione nominale dell'utensile. In caso contrario, si potrebbero creare seri pericoli per l'operatore dell'utensile o per le persone vicine.

Selezione del tubo dell'aria (Fig. 3)

Per assicurare una chiodatura efficiente e continua, usare un tubo dell'aria quanto più grande e corto possibile. Con una pressione dell'aria di 0,49 MPa (4,9 bar), si consiglia un tubo dell'aria con un diametro interno di oltre 8,5 mm e una lunghezza inferiore ai 20 m se l'intervallo tra le chiodature è di 0,5 secondi. I tubi di alimentazione aria devono avere una pressione operativa minima nominale di 1,0 MPa (10 bar) o del 150% della pressione massima prodotta nel sistema, quale delle due sia maggiore.

ATTENZIONE:

- Una bassa uscita aria del compressore o un lungo tubo dell'aria con diametro più piccolo in rapporto alla frequenza di chiodatura potrebbero causare una riduzione della capacità di chiodatura dell'utensile.

Lubrificazione (Fig. 4)

Per assicurare le prestazioni ottimali, installare un gruppo aria (oliatore, regolatore, filtro aria) quanto più vicino possibile all'utensile. Regolare l'oliatore in modo che fornisca una goccia d'olio ogni 50 chiodi.

Se non si usa un gruppo aria, oliare l'utensile con olio pneumatico mettendo 2 (due) o 3 (tre) gocce nei raccordi aria. Ciò va fatto prima e dopo l'uso. Per la lubrificazione corretta, l'utensile va azionato due o tre volte dopo l'introduzione dell'olio pneumatico.

DESCRIZIONE FUNZIONALE

ATTENZIONE:

- Staccare sempre il tubo prima di regolare o di controllare il funzionamento dell'utensile.

Regolazione della profondità di chiodatura

Per regolare la profondità di chiodatura, allentare il bullone usando la chiave esagonale in dotazione all'utensile e spingere poi su o giù la piastrina di regolazione profondità. (Fig. 5)

Se i chiodi non penetrano sufficientemente, spingere la piastrina di regolazione nella direzione della freccia come mostrato nella illustrazione. (Fig. 6)

Se i chiodi penetrano eccessivamente, spingere la piastrina di regolazione nella direzione della freccia come mostrato nella illustrazione. (Fig. 7)

La profondità può essere regolata fino a un massimo di 5 mm. Stringere saldamente il bullone sulla posizione destra dopo la regolazione.

MONTAGGIO

ATTENZIONE:

- Staccare sempre il tubo prima di qualsiasi intervento sull'utensile.

Gancio

ATTENZIONE:

- Staccare sempre il tubo dall'utensile.
- L'utensile non deve mai essere agganciato su un posto alto o su una superficie potenzialmente instabile.

Il gancio è comodo per agganciare temporaneamente l'utensile. Fissare il gancio all'utensile con la vite in dotazione, usando uno dei due fori del gancio come mostrato nella illustrazione. (Fig. 8)

Caricamento della cucitrice

ATTENZIONE:

- Staccare sempre il tubo prima di caricare la cucitrice.
- Non usare chiodi o nastri di chiodi deformati. In caso contrario, l'alimentazione dei chiodi diventa scarsa.
- Usare soltanto i chiodi specificati in questo manuale di istruzioni. In caso contrario, l'alimentazione dei chiodi diventa scarsa.
- Far tornare sempre lentamente e delicatamente il dispositivo di spinta tenendolo con una mano.

Selezionare i chiodi adatti al lavoro. Accertarsi che il tubo sia staccato dall'utensile.

1. Tirare il dispositivo di spinta verso la parte posteriore della cartuccia e agganciare la scanalatura del dispositivo di spinta al perno di blocco. (Fig. 9)
2. Inserire il nastro di chiodi nella cartuccia. Si possono caricare due nastri di chiodi. (Fig. 10)
3. Schiacciare leggermente il perno di blocco e tirare il dispositivo di spinta per sganciarlo. Con il perno di blocco schiacciato, far tornare lentamente e delicatamente il dispositivo di spinta sulla posizione originale. Mantenere premuto il perno di blocco di spinta finché passa attraverso. (Fig. 11)

Collegamento del tubo aria (Fig. 12)

Infilare la presa del tubo aria nel raccordo aria della cucitrice. Accertarsi che la presa aria si blocchi saldamente sul raccordo aria. Bisogna installare un accoppiatore tubo su o vicino all'utensile, in modo che il serbatoio di pressione esegua la scarica quando si stacca l'accoppiamento di alimentazione aria.

FUNZIONAMENTO

ATTENZIONE:

- Controllare che tutti i sistemi di sicurezza funzionino correttamente prima di cominciare il lavoro.

1. Schiacciare prima il grilletto e sistemare poi l'elemento di contatto sul pezzo. (Fig. 13 e 14)
2. Per inserire il chiodo, si può mettere l'elemento di contatto sul pezzo e schiacciare il grilletto, oppure usare il metodo No. 1 per la chiodatura continua. Il metodo No. 2 serve alla chiodatura intermittente, quando si desidera inserire un chiodo con cura e con molta precisione.

ATTENZIONE:

- Se però l'utensile è regolato per la modalità di "chiodatura intermittente", CON IL GRILLETTO MANTENUTO SCHIACCIATO A METÀ, si potrebbe verificare una chiodatura inaspettata se l'elemento di contatto fa di nuovo contatto con il pezzo o altra superficie per l'effetto del contraccolpo.

Per evitare questa chiodatura inaspettata, procedere come segue:

- A. Non mettere l'elemento di contatto sul pezzo usando forza eccessiva.
- B. Schiacciare completamente il grilletto mantenendolo schiacciato per 1 – 2 secondi dopo la chiodatura.

Per il metodo No. 2, si usa L'INTERRUTTORE A DISINNESTO SEQUENZIALE OPZIONALE (PARTE CHIODO SINGOLO). Sostituire la parte del grilletto con questa.

Direzione dell'aria di scarico (Fig. 15)

La direzione di scarico dell'aria può essere cambiata di un angolo di 360 gradi girando a mano il coperchio di scarico.

Rimozione dei chiodi inceppati

AVVERTIMENTO:

- Staccare sempre il tubo prima di rimuovere i chiodi.

Rimuovere i chiodi dalla cartuccia.

Sollevare a mano la chiusura sulla parte superiore della guida conduttore. (Fig. 16)

Se non è possibile sollevare a mano la chiusura, inserire un cacciavite a punta piatta nel gioco tra la chiusura e lo sportello forzandola su. (Fig. 17)

Aprire lo sportello e tirar fuori i chiodi. (Fig. 18)

Mettere la molla della chiusura su due ganci della guida conduttore e riportarla sulla sua posizione originale premendola giù. (Fig. 19)

ATTENZIONE:

- Se la punta del conduttore chiodi è usurata, i chiodi tendono a incepparsi e a essere inseriti poco profondamente. In tal caso, rivolgersi a un rivenditore autorizzato o servizio di assistenza Makita.

MANUTENZIONE

ATTENZIONE:

- Staccare sempre il tubo dell'aria dall'utensile prima di procedere all'ispezione o alla manutenzione.

Manutenzione della cucitrice

Controllare sempre la condizione generale dell'utensile e se le viti sono allentate prima di cominciare il lavoro. Stringere le viti se necessario. (Fig. 20)

Con l'utensile scollegato, fare l'ispezione giornaliera per assicurare che l'elemento di contatto e il grilletto si muovano liberamente. Non usare l'utensile se l'elemento di contatto o il grilletto sono grippati o bloccati. (Fig. 21)

Se non si intende usare l'utensile per un lungo periodo di tempo, lubrificarlo con olio pneumatico e conservarlo in un luogo sicuro. Evitare di esporlo alla luce diretta del sole e/o di lasciarlo in un ambiente umido e caldo. (Fig. 22 e 23)

Manutenzione del compressore, gruppo aria e tubo aria (Fig. 24 e 25)

Dopo l'utilizzo, scaricare sempre il serbatoio del compressore e il filtro dell'aria. Se nell'utensile entra umidità, le prestazioni potrebbero scadere e si potrebbe verificare un guasto. Controllare regolarmente che nell'oliatore del gruppo aria ci sia olio pneumatico sufficiente. La lubrificazione insufficiente causa la rapida usura degli anelli elastici. (Fig. 26)

Tenere il tubo dell'aria lontano dal calore (oltre i 60°C), dai prodotti chimici (solventi, forti acidi o alcali). Disporre il tubo dove non ci sono ostacoli su cui potrebbe pericolosamente impigliarsi durante il lavoro. Il tubo deve anche essere disposto lontano dai bordi aguzzi e dalle aree dove potrebbe rimanere danneggiato o lacerato. (Fig. 27)

Per preservare la SICUREZZA e L'AFFIDABILITÀ del prodotto, le riparazioni, la manutenzione o la regolazione devono essere eseguite da un rivenditore autorizzato o servizio di assistenza Makita.

ACCESSORI

ATTENZIONE:

- Questi accessori o attrezzi sono consigliati per l'uso con l'utensile Makita specificato in questo manuale. L'impiego di altri accessori o attrezzi può costituire un rischio di lesioni alle persone. Usare gli accessori soltanto per il loro scopo prefissato.

Per ottenere maggiori dettagli su questi accessori, rivolgersi a un Centro Assistenza Makita autorizzato.

- Chiodi
- Tubi aria
- Occhiali di protezione

Verklaring van algemene gegevens

1 Compressorlucht opbrengst per minuut	9 Persluchtaansluiting	18 Vergrendeling
2 Nietsnelheid (nieten/min)	10 Persluchtaansluiting	19 Toegangsklep
3 Diepte-instelplaat	11 Trekker	20 Aftapkraantje
4 Inbussleutel	12 Contactschonen	21 Luchtfilter
5 Haak	13 Werkstuk	22 Smeerinrichting
6 Schroef	14 Uitlaatdeksel	23 Olie voor pneumatisch gereedschap
7 Sluitpen	15 Stotergeleider	
8 Aandrukker	16 Vergrendeling	
	17 Platkopschroevendraaier	

TECHNISCHE GEGEVENS

Model	AT1150A	AT2550A
Luchtdruk	0,44 – 0,83 MPa (4,4 – 8,3 bar)	
Toepasbare nieten	25 mm – 50 mm	
Nietcapaciteit	140 pcs.	
Min. slangdiameter	6,5 mm	
Afmetingen (L x H x B)	370 mm x 87 mm x 290 mm	370 mm x 76 mm x 260 mm
Netto gewicht	2,3 kg	2,3 kg

- In verband met ononderbroken research en ontwikkeling behouden wij ons het recht voor bovenstaande technische gegevens te wijzigen zonder voorafgaande kennisgeving.
- Opmerking: De technische gegevens kunnen van land tot land verschillen.

BELANGRIJKE VEILIGHEIDSVORSCHRIFTEN

WAARSCHUWING:
BIJ HET GEBRUIK VAN DIT GEREEDSCHAP DIENEN DE BASISVEILIGHEIDSMATREGELEN, INCLUSIEF DE ONDERSTAANDE MAATREGELEN, ALTIJD TE WORDEN OPGEVOLGD OM HET GEVAAR VOOR VERWONDINGEN TE BEPERKEN:

LEES ALLE VOORSCHRIFTEN.

- Om uw persoonlijke veiligheid en een correcte bediening en onderhoud van het gereedschap te verzekeren, dient u deze gebruiksaanwijzing te lezen voordat u het gereedschap in gebruik neemt.
- Draag altijd een veiligheidsbril om uw ogen te beschermen tegen letsel door stof of nieten.

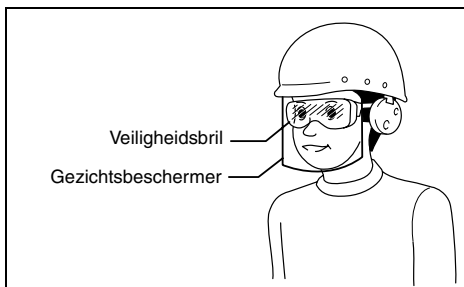
WAARSCHUWING:

Het is de verantwoordelijkheid van de werkgever erop toe te zien dat de gebruikers van het gereedschap en andere personen die zich dicht bij de werkplek bevinden altijd oogbescherming dragen.

- Alleen voor Australië en Nieuw-Zeeland
 Draag altijd een veiligheidsbril en gezichtsbeschermer om uw ogen te beschermen tegen letsel door stof of nieten. De veiligheidsbril en gezichtsbeschermer dienen te voldoen aan de vereisten van AS/NZS 1336.

WAARSCHUWING:

Het is de verantwoordelijkheid van de werkgever erop toe te zien dat de gebruikers van het gereedschap en andere personen die zich dicht bij de werkplek bevinden altijd oogbescherming dragen.



- Draag hoofdbescherming en ook oorbescherming om uw gehoor tegen het uitlaatgeluid te beschermen. Draag lichte, nauwsluitende kleding. Mouwen dienen dichtgeknoopt of opgerold te worden. De gebruiker van het gereedschap mag geen das dragen.
- Overhaast te werk gaan of het gereedschap forceren is gevaarlijk. Hanteer het gereedschap voorzichtig. Gebruik het gereedschap niet onder invloed van alcohol, drugs en dergelijke.

Algemene richtlijnen voor het hanteren van het gereedschap:

1. Neem altijd aan dat er nagels in het gereedschap zijn geladen.
2. Richt het gereedschap nooit op uzelf of op anderen, ongeacht of er nagels in het gereedschap zijn geladen of niet.

3. Activeer het gereedschap niet tenzij het stevig tegen het werkstuk is geplaatst.
 4. Hanteer het gereedschap altijd als een werktuig.
 5. Ravot niet met het gereedschap.
 6. Houd of draag het gereedschap nooit met uw vinger op de trekker.
 7. Laad nooit nagels in het gereedschap terwijl een van de bedieningsschakelaars geactiveerd is.
 8. Gebruik het gereedschap niet op een andere krachtbron behalve de krachtbron die in de gebruiks-/veiligheidsvoorschriften is opgegeven.
- Een slecht werkend gereedschap mag niet worden gebruikt.
 - Tijdens het gebruik van het gereedschap worden er soms vonken voortgebracht. Gebruik het gereedschap daarom niet in de nabijheid van vluchtige, ontvlambare materialen zoals benzine, verdunder, verf, gas, lijm, enz. Deze materialen zouden kunnen ontbranden of ontploffen en zware verwondingen veroorzaken.
 - Werk altijd in een goed verlichte ruimte om een veilig gebruik te verzekeren. Houd de werkomgeving schoon en vrij van rommel. Let vooral goed op dat u stevige steun voor de voeten hebt en uw evenwicht behoudt.
 - Alleen personen die direct bij het werk betrokken zijn mogen in de werkomgeving komen. Vooral kinderen dienen altijd uit de buurt te worden gehouden.
 - Alle plaatselijke wetten betreffende de geluidshinder dienen te worden nageleefd door het geluidsniveau van het gereedschap binnen de voorgeschreven limieten te houden. In bepaalde gevallen dienen luiken te worden gebruikt om de geluidshinder te beperken.
 - Knoei niet met het contactelement. Dit element voorkomt het toevallig afladen van het gereedschap en dient daarom steeds op zijn plaats te zijn aangebracht. De trekker vastzetten in de AAN positie is ook zeer gevaarlijk. Probeer nooit om de trekker vast te zetten. Bedien het gereedschap niet als enig bedieningselement van het gereedschap niet kan worden bediend, is losgekoppeld, is gewijzigd of niet goed werkt.
 - Gebruik het gereedschap binnen de voorgeschreven luchtdruk van 0,44 – 0,83 MPa (4,4 – 8,3 bar) om een veilige werking en een langere levensduur te verzekeren. Overschrijd de aanbevolen maximale druk van 0,83 MPa (8,3 bar) niet. Het gereedschap mag niet worden aangesloten op een bron die een druk voortbrengt van mogelijk meer dan 1,37 MPa (13,7 bar).
 - Zorg dat de druk die door het luchtdruksysteem wordt voortgebracht niet hoger is dan de maximaal toelaatbare druk van de nagelaandrijver. Stel de luchtdruk aanvankelijk in op de minimumwaarde van de aanbevolen toelaatbare druk (zie TECHNISCHE GEGEVENS).
 - Gebruik uitsluitend perslucht als de krachtbron voor het gereedschap. Indien gas in flessen (kool-dioxide, zuurstof, stikstof, waterstof, lucht, e.d.) of brandbaar gas (waterstof, propaan, acetyleen, e.d.) als de krachtbron voor dit gereedschap wordt gebruikt, zal het gereedschap ontploffen en ernstige verwonding veroorzaken.
 - Controleer vóór het gebruik altijd of het gereedschap in goede staat is en alle schroeven stevig zijn aangedraaid. Trek de schroeven zonodig aan.
 - Controleer vóór het gebruik of alle veiligheidsinrichtingen normaal functioneren. Het gereedschap mag niet werken indien enkel de trekker wordt ingedrukt of enkel de contactarm tegen het hout wordt gedrukt. Het gereedschap mag alleen werken wanneer beide handelingen achtereenvolgend worden uitgevoerd. Test op mogelijke verkeerde werking zonder dat nieten geplaatst zijn.
 - Controleer muren, plafonds, vloeren, dakbalken e.d. zorgvuldig op eventueel aanwezige elektrische bedrading, leidingbuizen of gasleidingen, om het gevaar voor elektrische schok, gaslekkage, explosies e.d. te voorkomen.
 - Gebruik uitsluitend nieten die in deze gebruiksaanwijzing worden aangegeven. Door een ander soort nieten te gebruiken, kan een storing in het gereedschap worden veroorzaakt.
 - Nagelaandrijvers die voorzien zijn van de waarschuwing “Niet gebruiken op stellingen, ladders, enz.” mogen nooit worden gebruikt voor specifieke werkzaamheden zoals de volgende:
 - gebruikmaken van stellingen, een trap, ladders, of een structuur zoals daklatten, om nagels op verschillende plaatsen in te drijven;
 - houten kisten of kratten dichtnagelen;
 - transportveiligheidssystemen e.d. vastzetten op een voertuig of vrachtwagen.
 - Sta niet toe dat onbevoegden het gereedschap gebruiken.
 - Controleer voor het nieten dat niemand dichtbij staat. Probeer nooit tegelijkertijd van binnenuit en van buitenaf te nieten. De nieten kunnen er dwars doorheen schieten of afketsen en een groot gevaar opleveren.
 - Let op uw stappen en behoud uw evenwicht wanneer u het gereedschap gebruikt. Controleer of er zich niemand beneden u bevindt wanneer u op hoge plaatsen gaat werken, en klem de luchtslang stevig vast om gevaarlijke situaties, veroorzaakt door een plotselinge ruk aan de slang of het blijven haken ervan, te voorkomen.
 - Op daken en andere hoge plaatsen niet u terwijl u voorwaarts beweegt. U glijdt gemakkelijk weg als u niet terwijl u achterwaarts kruipt. Als u in een recht-opstaande ondergrond niet, niet u van boven naar beneden. U kunt op deze manier nieten zonder snel vermoeid te raken.
 - Een niet zal krom gaan of het gereedschap kan vastlopen als u per ongeluk bovenop een andere niet of in een knoest in het hout niet. De niet kan wegschieten en iemand raken, of het gereedschap zelf kan gevaarlijk terugstaan. Kies de plaats voor de niet met zorg.

- Laat het geladen gereedschap of de op druk gezette luchtcompressor niet voor lange tijd in de zon liggen. Laat het gereedschap niet achter op een plaats waar stof, zand, spanen en verontreinigingen erin kunnen terechtkomen.
- Richt de uitwerpopening van het gereedschap niet op personen in de nabijheid. Houd uw handen en voeten uit de buurt van de uitwerpopening.
- Wanneer de luchtslang is aangesloten, mag u het gereedschap niet met uw vinger op de trekker dragen of het in deze staat aan iemand anders overhandigen. Toevallige ontlading van het gereedschap kan uiterst gevaarlijk zijn.
- Behandel het gereedschap voorzichtig. De hoge druk in het gereedschap kan gevaar opleveren indien er scheuren in het gereedschap komen ten gevolge van ruwe behandeling (het gereedschap laten vallen of het tegen iets stoten). Kerf of graa-veer niets op het gereedschap.
- Stop onmiddellijk met nieten als u een probleem of iets vreemds opmerkt aan het gereedschap.
- Koppel altijd de persluchtslang los en verwijder alle nieten:
 1. Voordat u het gereedschap alleen achterlaat.
 2. Alvorens te beginnen met onderhoud of reparatie.
 3. Alvorens een vastgelopen gereedschap vrij te maken.
 4. Alvorens het gereedschap naar een andere plaats te brengen.
- Telkens nadat het werk is voltooid, dient u het gereedschap schoon te maken en te onderhouden. Houd het gereedschap in tiptop-conditie. Smeer de bewegende onderdelen om roesten te voorkomen en slijtage door wrijving tot een minimum te beperken. Veeg alle stof op de onderdelen van het gereedschap eraf.
- Bedien het gereedschap niet als het **WAARSCHUWINGSETIKET** niet leesbaar is.
- Wijzig het gereedschap niet zonder de toestemming van Makita.
- Laat de periodieke inspectie van het gereedschap uitvoeren door een erkend Makita servicecentrum.
- Om de **VEILIGHEID** en **BETROUWBAARHEID** van het gereedschap te handhaven, dienen alle onderhoud en reparaties te worden uitgevoerd door een erkend Makita servicecentrum, en altijd met gebruikmaking van Makita vervangingsonderdelen.
- Gebruik uitsluitend de olie voor pneumatisch gereedschap die in deze gebruiksaanwijzing is gespecificeerd.
- Sluit het gereedschap nooit aan op een persluchtleiding waar de maximaal toelaatbare druk van het gereedschap niet met 10% kan worden overschreden. Zorg dat de druk die door het luchtdruksysteem wordt voortgebracht niet hoger is dan de maximaal toelaatbare druk van de nagelaandrijver. Stel de luchtdruk aanvankelijk in op de minimumwaarde van de aanbevolen toelaatbare druk.
- Probeer niet de contactschoen voortdurend ingedrukt te houden met tape of draad. Dit is levensgevaarlijk en kan zware verwondingen veroorzaken.

- Controleer altijd de contactschoen volgens de instructies in deze gebruiksaanwijzing. Als het veiligheidsmechanisme niet goed werkt, kunnen nieten per ongeluk worden geschoten.

BEWAAR DEZE VOORSCHRIFTEN.

OPSTELLEN

Een compressor kiezen (Fig. 1 en 2)

Kies een compressor die ruim voldoende luchtdruk en luchttopbrengst levert om verzekerd te zijn van een kostenefficiënte werking. De grafiek geeft de relatie aan tussen de nietsnelheid, toepasselijke luchtdruk en compressorluchttopbrengst.

Als bijvoorbeeld het nieten ongeveer 60 keer per minuut wordt uitgevoerd met een luchtdruk van 0,68 MPa (6,8 bar), is een compressor met een luchttopbrengst van meer dan 90 l/min vereist.

Als de toegevoerde luchtdruk hoger is dan de nominale luchtdruk van het gereedschap, moeten drukregulators worden gebruikt om de luchtdruk te beperken tot de nominale luchtdruk van het gereedschap. Als u dit niet doet kunnen de gebruiker van het gereedschap en personen in de buurt ernstig letsel oplopen.

Een persluchtslang kiezen (Fig. 3)

Gebruik een zo groot en kort mogelijke persluchtslang om verzekerd te zijn van ononderbroken en efficiënt nieten. Als het interval tussen twee nieten 0,5 seconde is, wordt bij een luchtdruk van 0,49 MPa (4,9 bar), een persluchtslang met een inwendige diameter van 8,5 mm en een lengte van minder dan 20 m aanbevolen. Persluchtslangen moeten een nominale minimumwerkdruk hebben van 1,0 MPa (10 bar) of 150 procent van de maximumdruk die door het systeem wordt geleverd, al naar gelang welke hoger is.

LET OP:

- Als de compressorluchttopbrengst lager is, of de luchtslang een kleinere inwendige diameter heeft of langer is in verhouding tot de nietsnelheid, kan de nietkracht van het gereedschap teruglopen.

Smeren (Fig. 4)

Om van maximale prestaties verzekerd te zijn, monteert u een luchtset (smeerinrichting, drukregulator, luchtfilter) zo dicht mogelijk bij het gereedschap. Stel de smeerinrichting zodanig in dat voor iedere 50 nieten een druppel smeerolie wordt geleverd.

Als geen luchtset wordt gebruikt, smeert u het gereedschap met olie voor pneumatisch gereedschap door twee (2) of drie (3) druppels in het luchtaan-sluiting aan te brengen. U dient dit voor en na ieder gebruik te doen. Voor een goede smering moet het gereedschap enkele keren worden bediend nadat de olie voor pneumatisch gereedschap is aangebracht.

BESCHRIJVING VAN DE FUNCTIES

LET OP:

- Koppel altijd de persluchtslang los voordat u de werking van het gereedschap controleert of afstelt.

De nietdiepte instellen

Om de diepte van het nieten in te stellen, draait u de bout los met behulp van de inbusleutel die bij het gereedschap werd geleverd, en schuift u vervolgens de diepte-instelplaat omhoog of omlaag. (Fig. 5)

Als de nieten niet diep genoeg worden geschoten, schuift u de instelplaat in de richting van de pijl aangegeven in de afbeelding. (Fig. 6)

Als de nieten te diep worden geschoten, schuift u de instelplaat in de richting van de pijl aangegeven in de afbeelding. (Fig. 7)

De diepte kan maximaal 5 mm worden ingesteld. Na het instellen op de juiste stand, draait u de inbusbout stevig vast.

INEENZETTEN

LET OP:

- Koppel altijd de persluchtslang los voordat u enige werkzaamheden aan het gereedschap verricht.

Haak

LET OP:

- Koppel altijd de persluchtslang los van het gereedschap.
- Hang het gereedschap niet op aan de haak op een hoge plaats of op een mogelijk instabiele ondergrond.

De haak is handig om het gereedschap tijdelijk aan op te hangen. Bevestig de haak aan het gereedschap met behulp van de bijgeleverde schroef in een van de twee gaten in de haak, zoals aangegeven in de afbeelding. (Fig. 8)

Het nietpistool bijvullen

LET OP:

- Koppel altijd de persluchtslang los alvorens het nietpistool bij te vullen.
- Gebruik geen vervormde nieten of nietstrippen. Als u dit toch doet, worden de nieten niet goed aangevoerd.
- Gebruik uitsluitend nieten die in deze gebruiksaanwijzing worden aangegeven. Als u dit niet doet, worden de nieten niet goed aangevoerd.
- Zet de aandrukker altijd langzaam en voorzichtig terug terwijl u deze met een hand vasthoudt.

Kies nieten die geschikt zijn voor uw werk. Zorg ervoor dat de persluchtslang is losgekoppeld van het gereedschap.

1. Trek de aandrukker naar de achterkant van het magazijn en haak de groef in de aandrukker aan de sluitpen. (Fig. 9)
2. Steek de strip nieten in het magazijn. Twee strippen nieten kunnen worden geplaatst. (Fig. 10)
3. Duw de sluitpen iets in en trek aan de aandrukker om deze los te haken. Zet met ingeduwde sluitpen de aandrukker langzaam en voorzichtig terug in de oorspronkelijke stand. Houd de sluitpen omlaag gedrukt tot deze erdoor gaat. (Fig. 11)

De persluchtslang aansluiten (Fig. 12)

Schuif de aansluiting van de persluchtslang op de aansluiting van het nietpistool. Zorg ervoor dat beide aansluitingen stevig op elkaar worden vergrendeld. De slangkoppeling moet op of vlakbij het gereedschap worden gemonteerd op een zodanige manier dat op het moment dat de persluchtkoppeling wordt losgekoppeld, de luchtdruktank leeg loopt.

BEDIENING

LET OP:

- Controleer voor gebruik dat alle beveiligingssystemen goed werken.

1. Knijp eerst de trekker in en druk daarna het contactschoen tegen het werkstuk. (Fig. 13 en 14)
2. Om te nieten drukt u eerst de contactschoen tegen het werkstuk en knijpt u daarna de trekker in, of
werkwijze 1 is voor ononderbroken nieten.
Werkwijze 2 is voor onderbroken nieten wanneer u een niet voorzichtig en zeer nauwkeurig wilt schieten.

LET OP:

- Wanneer het gereedschap echter is ingesteld op "Onderbroken nieten" en DE TREKKER IN DE HALF-INGEKNEPEN STAND WORDT GEHOUDEN, kan het nietpistool onverwachts een niet schieten als de contactschoen door de terugslag nogmaals in aanraking komt met het werkstuk of een ander oppervlak.
Om dergelijk per ongeluk nieten te voorkomen, gaat u als volgt te werk:

- A. Duw de contactschoen niet met grote kracht tegen het werkstuk.
- B. Knijp de trekker volledig in en houd deze na het nieten gedurende een tot twee seconden ingeknepen.

Voor werkwijze 2 wordt de OPTIONELE BEURTELINGSE TREKKER (ÉÉN-SCHOTS ONDERDEEL) gebruikt. Vervang de standaardtrekker door dit optionele onderdeel.

Richting van de uitlaatlucht (Fig. 15)

De richting van de uitlaatlucht kan 360 graden worden veranderd door het uitlaatdeksel met de hand te draaien.

Vastgelopen nieten verwijderen

WAARSCHUWING: :

- Koppel altijd de persluchtslang los voordat u het nietpistool eruit haalt.

Haal de nieten uit het magazijn.

Til de vergrendeling bovenop de stotergeleider met de hand op. (Fig. 16)

Als de vergrendeling niet met de hand kan worden opgetild, steekt u een platkopschroevendraaier in de opening tussen de vergrendeling en de toegangsklep, en wringt u deze omhoog. (Fig. 17)

Open de toegangsklep en haal de nieten eruit. (Fig. 18)
Plaats de veer van de vergrendeling om de twee haken op de stotergeleider en duw de vergrendeling omlaag in de oorspronkelijke stand. (Fig. 19)

LET OP:

- Als de punt van de nietstoter gesleten is, neigen de nieten vast te lopen of onvoldoende diep te worden geschoten. Als dit zich voordoet, laat u het gereedschap repareren bij een erkend Makita-servicecentrum of in de Makita-fabriek.

ONDERHOUD

LET OP:

- Koppel de perslucht slang altijd los van het gereedschap alvorens inspectie- of onderhoudswerkzaamheden uit te voeren.

Het nietpistool onderhouden

Controleer voor gebruik het gereedschap altijd eerst op algehele conditie en loszittende schroeven. Draai deze zonodig vast. **(Fig. 20)**

Inspecteer het gereedschap dagelijks met losgekoppelde perslucht slang op vrije beweging van de contactmond en trekker. Gebruik het gereedschap niet als de contactmond of trekker vastlopen of klemmen. **(Fig. 21)**

Wanneer het gereedschap gedurende een lange tijd niet gebruikt gaat worden, smeert u het gereedschap met olie voor pneumatisch gereedschap en bewaart u het gereedschap op een veilige plaats. Voorkom blootstelling aan direct zonlicht en/of een vochtige of warme omgeving. **(Fig. 22 en 23)**

Onderhoud aan de compressor, luchtset en perslucht slang (Fig. 24 en 25)

Na gebruik moet altijd de luchtdruktank en het luchtfilter van de compressor worden afgetapt. Als vocht in het gereedschap kan binnendringen, kan dit leiden tot slechte prestaties en mogelijk defect van het gereedschap. Controleer regelmatig om te zien of er voldoende pneumatische olie in de smerinrichting van de luchtset zit. Als u niet voor voldoende smering zorgt, zullen de O-ringen snel slijten. **(Fig. 26)**

Houd de perslucht slang uit de buurt van warmte (meer dan 60°C) en uit de buurt van chemicaliën (verdunner, sterke zuren of basen). Houd de perslucht slang ook uit de buurt van obstakels waarachter deze kan haken tijdens gebruik om gevaarlijke situaties te voorkomen. De perslucht slang moet tevens uit de buurt worden gehouden van scherpe randen en plaatsen die aanleiding kunnen geven tot beschadiging of schuren van de perslucht slang. **(Fig. 27)**

Om de VEILIGHEID en BETROUWBAARHEID van het product te handhaven, dienen alle reparaties en andere onderhoudswerkzaamheden of afstellingen te worden uitgevoerd door een erkend Makita-servicecentrum of in de Makita-fabriek, en dat uitsluitend met gebruik van Makita vervangingsonderdelen.

ACCESSOIRES

LET OP:

- Deze accessoires of hulpstukken worden aanbevolen voor gebruik met het Makita gereedschap dat in deze gebruiksaanwijzing wordt beschreven. Het gebruik van andere accessoires of hulpstukken kan gevaar voor persoonlijke verwonding opleveren. Gebruik de accessoires of hulpstukken uitsluitend voor het gespecificeerde doel.

Wenst u meer informatie over deze accessoires, neem dan contact op met het dichtstbijzijnde Makita servicecentrum.

- Nieten
- Perslucht slangen
- Veiligheidsbril

Explicación de los dibujos

- | | | |
|---|-------------------------|----------------------------------|
| 1 Salida de aire por minuto del compresor | 8 Empujador | 17 Destornillador de punta plana |
| 2 Frecuencia de grapado (veces/minuto) | 9 Conector de aire | 18 Seguro |
| 3 Placa de ajuste de profundidad | 10 Acoplador de aire | 19 Puerta |
| 4 Llave hexagonal | 11 Gatillo | 20 Grifo de drenaje |
| 5 Gancho | 12 Elemento de contacto | 21 Filtro de aire |
| 6 Tornillo | 13 Pieza de trabajo | 22 Aceitero |
| 7 Pasador de bloqueo | 14 Cubierta del escape | 23 Aceite neumático |
| | 15 Guía del impulsor | |
| | 16 Seguro | |

ESPECIFICACIONES

Modelo	AT1150A	AT2550A
Presión de aire	0,44 – 0,83 MPa (4,4 – 8,3 bar)	
Grapas aplicables	25 mm – 50 mm	
Capacidad de grapas	140 pcs.	
Diámetro de manguera mínimo	6,5 mm	
Dimensiones (La x An x Al)	370 mm x 87 mm x 290 mm	370 mm x 76 mm x 260 mm
Peso neto	2,3 kg	2,3 kg

- Debido a un programa continuo de investigación y desarrollo, las especificaciones aquí dadas están sujetas a cambios sin previo aviso.
- Nota: Las especificaciones pueden ser diferentes de país a país.

ADVERTENCIA:

Es responsabilidad del patrón hacer cumplir al operario y a otras personas cerca del área de trabajo el uso del equipo de seguridad para la protección de los ojos.

INSTRUCCIONES DE SEGURIDAD IMPORTANTES

ADVERTENCIA:

CUANDO UTILICE ESTA HERRAMIENTA, DEBERÁ OBSERVAR SIEMPRE LAS PRECAUCIONES DE SEGURIDAD BÁSICAS PARA REDUCIR EL RIESGO DE SUFRIR HERIDAS PERSONALES, INCLUYENDO LO SIGUIENTE:

LEA TODAS LAS INSTRUCCIONES.

- Por su propia seguridad y la utilización y el mantenimiento apropiados de la herramienta, lea este manual de instrucciones antes de utilizar la herramienta.
- Póngase siempre gafas de seguridad para proteger sus ojos del polvo o heridas producidas por las grapas.

ADVERTENCIA:

Es responsabilidad del patrón hacer cumplir al operario y a otras personas cerca del área de trabajo el uso del equipo de seguridad para la protección de los ojos.

- Para Australia y Nueva Zelanda solamente Póngase siempre gafas de seguridad y pantalla facial para proteger sus ojos del polvo o heridas producidas por las grapas. Las gafas de seguridad y la pantalla facial deberán satisfacer los requisitos de las normas AS/NZS 1336.



- Utilice protección auditiva para proteger sus oídos contra el ruido y protéjase también la cabeza. Póngase también ropa ligera pero no holgada. Las mangas deberán estar abotonadas o remangadas. No se deberá utilizar corbata.
- El hacer el trabajo deprisa o forzar la herramienta es peligroso. Maneje la herramienta con cuidado. No utilice la herramienta bajo la influencia de alcohol, drogas o sustancias parecidas.

Directrices generales para el manejo de la herramienta:

1. Asuma siempre que la herramienta contiene clavos.
2. No se apunte asimismo ni a nadie con la herramienta tanto si contiene clavos como si no.
3. No active la herramienta a menos que la tenga puesta firmemente contra la pieza de trabajo.
4. Respete la herramienta como implemento de trabajo.
5. No haga payasadas con la herramienta.

6. No coja ni transporte la herramienta con el dedo en el gatillo.
 7. No cargue clavos en la herramienta estando cualquiera de los controles de operación activado.
 8. No utilice la herramienta con ninguna otra fuente de alimentación distinta a la especificada en las instrucciones de funcionamiento/seguridad de la herramienta.
- Una herramienta que no funcione debidamente no se deberá utilizar.
 - Cuando se utiliza la herramienta algunas veces salan chispas. No utilice la herramienta cerca de materiales volátiles o inflamables tales como gasolina, disolvente, pintura, gas, adhesivos, etc.; estas sustancias se encenderán y explotarán, ocasionando graves heridas.
 - El área deberá estar suficientemente iluminado para asegurar una operación segura. El área deberá estar despejado y libre de basura. Tenga especial cuidado de mantener los pies sobre suelo firme y el equilibrio.
 - En la proximidad solamente deberán estar aquellos implicados en el trabajo. Especialmente los niños deberán mantenerse alejados en todo momento.
 - Podrá haber reglamentos locales concernientes al ruido que habrá que cumplir manteniendo los niveles de ruido dentro de los límites establecidos. En ciertos casos, se deberán utilizar celosías, etc., para contener el ruido.
 - No juegue con el elemento de contacto: éste previene la descarga accidental, por lo que se deberá mantener activado y puesto en su sitio. También es muy peligroso el mantener el gatillo en la posición ON (activado). No intente nunca atar el gatillo. No utilice la herramienta si cualquier control está inoperable, desconectado, alterado, o no funciona correctamente.
 - Utilice la herramienta dentro de la presión de aire especificada de 0,44 – 0,83 MPa (4,4 – 8,3 bar) por seguridad y para alargar la vida de la herramienta. No exceda la presión de funcionamiento máxima recomendada de 0,83 MPa (8,3 bar). La herramienta no deberá ser conectada a una fuente cuya presión pueda potencialmente exceder 1,37 MPa (13,7 bar).
 - Asegúrese de que la presión suministrada por el sistema de aire comprimido no exceda la presión máxima permitida de la clavadora de clavos. Ajuste la presión de aire inicialmente a un valor inferior a la presión permitida recomendada (consulte las ESPECIFICACIONES).
 - No utilice nunca la herramienta con nada que no sea aire comprimido. Si se utiliza gas (dióxido de carbono, oxígeno, nitrógeno, hidrógeno, aire, etc.) o gas combustible (hidrógeno, propano, acetileno, etc.) embotellado como fuente de accionamiento para esta herramienta, la herramienta explotará y ocasionará graves heridas.
 - Compruebe siempre la herramienta antes de la operación para ver su condición general y si hay tornillos sueltos. Apriete según se requiera.
 - Antes de la operación asegúrese de que todos los sistemas de seguridad estén en condiciones de funcionamiento. La herramienta no deberá funcionar si solamente se aprieta el gatillo o si solamente se presiona el brazo de contacto contra la madera. Solamente deberá funcionar cuando se realicen ambas acciones. Pruebe la herramienta en busca de un fallo en su operación sin grapas cargadas.
 - Compruebe las paredes, techos, suelos, techumbres y por el estilo con cuidado para evitar descargas eléctricas, fugas de gas, explosiones, etc., ocasionadas por el contacto con cables con tensión, conductos o tuberías de gas.
 - Utilice solamente grapas especificadas en este manual. La utilización de cualesquiera otras grapas podrá ocasionar un mal funcionamiento en la herramienta.
 - No utilice nunca clavadoras de clavos marcadas con el símbolo de "No utilizar en andamios, escalera de mano" para aplicaciones específicas, por ejemplo:
 - cuando cambiar de un lugar de clavado a otro implique la utilización de andamios, escaleras, escaleras de mano, o construcciones en forma de escalera, por ejemplo, listones de techumbres;
 - cajas de cierre o cajones;
 - colocación de sistemas de seguridad de transportes, por ejemplo, en vehículos y vagones.
 - No permita utilizar la herramienta a personas no instruidas.
 - Asegúrese de que no haya nadie cerca antes de ponerse a grapar. No intente grapar nunca desde el interior y exterior al mismo tiempo. Las grapas podrían atravesar y/o salir disparadas, presentando un grave peligro.
 - Observe el suelo donde pisa y mantenga su equilibrio con la herramienta. Asegúrese de que no haya nadie debajo cuando trabaje en lugares elevados, y sujete la manguera de aire para evitar peligros si se produjera un tirón o enganche repentino.
 - En tejados y otros lugares elevados, grape avanzando. Si grapa moviéndose poco a poco hacia atrás será fácil que pierda el equilibrio. Cuando grape contra superficies perpendiculares, grape de arriba hacia abajo. Haciéndolo de esta forma podrá realizar la operación de grapado fatigándose menos.
 - Si grapa sin querer encima de otra grapa o da con un nudo en la madera, la grapa se torcerá o la herramienta podrá atascarse. La grapa podrá salir lanzada y golpear a alguien, o la propia herramienta podrá reaccionar peligrosamente. Ponga las grapas con cuidado.
 - No deje la herramienta cargada ni el compresor de aire bajo presión durante largo tiempo al sol. Asegúrese de que no entre polvo, arena, virutas ni materias extrañas en la herramienta en el lugar donde la deje.
 - No apunte con el puerto de expulsión a nadie de alrededor. Mantenga las manos y pies alejados del área del puerto de expulsión.

- Cuando esté conectada la manguera de aire, no transporte la herramienta con el dedo en el gatillo ni se la pase a otra persona en esta condición. Un disparo accidental puede resultar muy peligroso.
- Maneje la herramienta con cuidado, ya que dentro de la herramienta hay una presión muy alta que puede ser peligrosa si se produce una grieta debido a un manejo brusco (dejando caer o golpeando la herramienta). No intente grabar ni esculpir en la herramienta.
- Pare inmediatamente la operación de grapado si nota algo incorrecto o fuera de lo normal en la herramienta.
- Desconecte siempre la manguera de aire y extraiga todas las grapas:
 1. Cuando deje la herramienta sin atender.
 2. Antes de realizar cualquier mantenimiento o reparación.
 3. Antes de despejar un atasco.
 4. Antes de mover la herramienta a un nuevo lugar.
- Realice la limpieza y el mantenimiento inmediatamente después de terminar el trabajo. Mantenga la herramienta en perfectas condiciones. Lubrique las partes móviles para evitar la oxidación y minimizar el desgaste relacionado con la fricción. Quite todo el polvo de dichas partes.
- No utilice esta herramienta si no contiene una ETIQUETA DE ADVERTENCIA legible.
- No modifique la herramienta sin la autorización de Makita.
- Pregunte en centros de servicio autorizados por Makita sobre la inspección periódica de la herramienta.
- Para mantener la SEGURIDAD y FIABILIDAD del producto, el mantenimiento y las reparaciones deberán ser realizados en un Centro de servicio autorizado por Makita, empleando siempre repuestos Makita.
- Utilice solamente el aceite de herramientas neumáticas especificado en este manual.
- No conecte nunca la herramienta a una línea de aire comprimido donde la presión permitida máxima de la herramienta no pueda ser excedida en un 10%. Asegúrese de que la presión suministrada por el sistema de aire comprimido no exceda la presión máxima permitida de la clavadora de clavos. Ajuste la presión de aire inicialmente al valor más bajo de la presión permitida recomendada.
- No intente mantener el gatillo o el elemento de contacto presionado con cinta o alambre. Podrá ocasionarle la muerte o heridas graves.
- Compruebe siempre el elemento de contacto como se indica en este manual. Las grapas podrán dispararse accidentalmente si el mecanismo de seguridad no funciona correctamente.

GUARDE ESTAS INSTRUCCIONES.

INSTALACIÓN

Selección de compresor (Fig. 1 y 2)

Seleccione un compresor que tenga una presión y salida de aire amplias para asegurar una operación eficiente en base a costos. El gráfico muestra la relación entre la frecuencia de grapado, la presión aplicable y la salida de aire del compresor.

Así, por ejemplo, si el grapado se realiza a una frecuencia de aproximadamente 60 veces por minuto a una compresión de 0,68 MPa (6,8 bar), se requerirá un compresor con una salida de aire superior a 90 litros/minuto. Cuando la presión del suministro de aire exceda la presión nominal de la herramienta se deberán utilizar reguladores de presión para limitar la presión de aire a la presión nominal de la herramienta. De no hacerlo, podrá resultar en heridas graves al operario de la herramienta o a personas cercanas.

Selección de manguera de aire (Fig. 3)

Utilice una manguera de aire tan grande y corta como sea posible para asegurar una operación de grapado continua y eficiente. Con una presión de aire de 0,49 MPa (4,9 bar), se recomienda una manguera de aire con un diámetro interior superior a 8,5 mm y una longitud inferior a 20 m cuando el intervalo entre cada grapado sea de 0,5 segundos. Las mangueras de suministro de aire deberán tener una presión de trabajo mínima nominal de 1,0 MPa (10 bar) o un 150% de la presión máxima producida en el sistema, lo que sea mayor.

PRECAUCIÓN:

- Una salida de aire baja del compresor, o una manguera de aire larga o de diámetro más pequeño en relación con la frecuencia de grapado podrá ocasionar una disminución de la capacidad de grapado de la herramienta.

Lubricación (Fig. 4)

Para asegurar el máximo rendimiento, instale un juego de aire (aceitero, regulador, filtro de aire) lo más cerca posible de la herramienta. Ajuste el aceitero de forma que provea una gota de aceite cada 50 grapas. Cuando no se utilice un juego de aire, engrase la herramienta con aceite de herramienta neumática poniendo 2 (dos) o 3 (tres) gotas en el conector de aire. Esto deberá hacerse antes y después del uso. Para una lubricación apropiada, la herramienta deberá ser disparada unas cuantas veces después de haber introducido el aceite de herramienta neumática.

DESCRIPCIÓN DEL FUNCIONAMIENTO

PRECAUCIÓN:

- Desconecte siempre la manguera antes de ajustar o comprobar una función de la herramienta.

Ajuste de la profundidad de grapado

Para ajustar la profundidad de grapado, afloje el perno utilizando la llave hexagonal provista con la herramienta y después deslice la placa de ajuste de profundidad hacia arriba o hacia abajo. (Fig. 5)

Si las grapas no pueden clavarse suficientemente, deslice la placa de ajuste en la dirección de la flecha como se muestra en la figura. (Fig. 6)

Si las grapas se clavan demasiado, deslice la placa de ajuste en la dirección de la flecha como se muestra en la figura. (Fig. 7)

La profundidad puede ajustarse 5 mm al máximo. Apriete el perno firmemente en la posición correcta después de ajustar.

MONTAJE

PRECAUCIÓN:

- Desconecte siempre la manguera antes de realizar cualquier trabajo en la herramienta.

Gancho

PRECAUCIÓN:

- Desconecte siempre la manguera de la herramienta.
- No cuelgue nunca la herramienta en un lugar alto ni en una superficie potencialmente inestable.

El gancho resulta útil para colgar temporalmente la herramienta. Fije el gancho en la herramienta con el tornillo provisto utilizando cualquiera de los agujeros del gancho como se muestra en la figura. **(Fig. 8)**

Carga de la grapadora

PRECAUCIÓN:

- Desconecte siempre la manguera antes de cargar la herramienta.
- No utilice grapas ni tiras de grapas deformadas. Si lo hace ocasionará un mal avance de las grapas.
- Utilice siempre grapas especificadas en este manual de instrucciones. Si no lo hace ocasionará un mal avance de las grapas.
- Retorne siempre el empujador poco a poco y con cuidado mientras lo sujeta con la mano.

Seleccione las grapas apropiadas para su trabajo. Asegúrese de que la manguera está desconectada de la herramienta.

1. Tire del empujador hasta la parte trasera del cargador y enganche la ranura del empujador en el pasador de bloqueo. **(Fig. 9)**
2. Inserte una tira de grapas en el cargador. Se pueden cargar dos tiras de grapas. **(Fig. 10)**
3. Baje ligeramente el pasador de bloqueo y tire del empujador para desengancharlo. Con el pasador de bloqueo bajado, retorne el empujador poco a poco y con cuidado hasta la posición original. Mantenga bajado el pasador de bloqueo hasta que pase el empujador. **(Fig. 11)**

Conexión de la manguera de aire (Fig. 12)

Encaje el acoplador de aire de la manguera de aire en el conector de aire de la grapadora. Asegúrese de que el acoplador de aire quede bloqueado firmemente en posición cuando lo instale en el conector de aire. Se deberá instalar un acoplamiento de manguera en o cerca de la herramienta de tal forma que el depósito de presión se descargue al desconectar el acoplamiento de suministro de aire.

OPERACIÓN

PRECAUCIÓN:

- Antes de la operación asegúrese de que todos los sistemas de seguridad estén en condiciones de funcionamiento.

1. Apriete el gatillo primero y después ponga el elemento de contacto contra la pieza de trabajo. **(Fig. 13 y 14)**
2. Para clavar una grapa, puede poner el elemento de contacto contra la pieza de trabajo y apretar el gatillo,
o
o
Método n° 1 es para grapado continuo.
Método n° 2 es para grapado intermitente, cuando desee clavar una grapa con cuidado y con gran precisión.

PRECAUCIÓN:

- Sin embargo, cuando la herramienta está puesta en el modo de "Grapado intermitente", CON EL GATILLO APRETADO HASTA LA MITAD, puede producirse un grapado inesperado si deja que el elemento de contacto vuelva a tocar la pieza de trabajo u otra superficie bajo la influencia del retroimpacto.

Para evitar este grapado inesperado, haga lo siguiente:

- A. No ponga el elemento de contacto contra la pieza de trabajo con excesiva fuerza.
- B. Apriete el gatillo completamente y manténgalo apretado durante 1 – 2 segundos después de grapar.

Para el método n° 2, se utiliza el GATILLO DE CICLO SECUENCIAL OPCIONAL (PARTE DE DISPARO SIMPLE). Sustituya la parte del gatillo con esta.

Dirección del aire de escape (Fig. 15)

La dirección del aire de escape puede cambiarse en un ángulo de 360 grados girando la cubierta del escape con la mano.

Extracción de grapas atascadas

ADVERTENCIA:

- Desconecte siempre la manguera antes de extraer grapas.

Extraiga las grapas del cargador.

Levante el seguro de la parte superior de la guía del impulsor con la mano. **(Fig. 16)**

Si el seguro no se puede levantar con la mano, inserte un destornillador de punta plana en la abertura entre el seguro y la puerta para forzarlo hacia arriba. **(Fig. 17)**

Abra la puerta y extraiga las grapas. **(Fig. 18)**

Ponga el resorte del seguro en los dos ganchos de la guía del impulsor y retórnelo a su posición original presionándolo. **(Fig. 19)**

PRECAUCIÓN:

- Si la punta del impulsor de grapas está gastada, habrá tendencia a que ocurran atascos de grapas y clavado poco profundo. Cuando ocurra esto, haga que se lo reparen en un Centro de servicio o fábrica autorizado por Makita.

MANTENIMIENTO

PRECAUCIÓN:

- Desconecte siempre la manguera de aire de la herramienta antes de intentar realizar una inspección o mantenimiento.

Mantenimiento de la grapadora

Compruebe siempre la herramienta antes de la operación para ver su condición general y si hay tornillos sueltos. Apriete según se requiera. **(Fig. 20)**

Con la herramienta desconectada, haga una inspección diaria para asegurarse del libre movimiento del elemento de contacto y el gatillo. No utilice la herramienta si el elemento de contacto o el gatillo se traba o agarrota. **(Fig. 21)**

Cuando no vaya a utilizar la herramienta durante un período de tiempo prolongado, lubrique la herramienta utilizando aceite de herramienta neumática y almacénela en un lugar seguro. Evite la exposición a la luz solar directa y/o los ambientes húmedos o calurosos. **(Fig. 22 y 23)**

Mantenimiento del compresor, juego de aire y manguera de aire (Fig. 24 y 25)

Después de una operación, drene siempre el tanque compresor y el filtro de aire. Si permite que entre humedad en la herramienta, podrá resultar en un rendimiento deficiente y posible fallo de la herramienta. Compruebe regularmente para ver si hay suficiente aceite neumático en el aceitero del conjunto de aire. Si no se mantiene una suficiente lubricación las juntas tóricas se desgastarán rápidamente. **(Fig. 26)**

Mantenga la manguera de aire alejada del calor (más de 60°C, más de 140°F), alejada de sustancias químicas, ácidos fuertes o alcalinos). Además, tienda la manguera alejada de obstáculos en los que pueda engancharse peligrosamente durante la operación. Las mangueras también deberán tenderse alejadas de cantos cortantes y áreas que puedan ocasionar daños o abrasión a la manguera. **(Fig. 27)**

Para mantener la SEGURIDAD y FIABILIDAD del producto, las reparaciones y cualquier otro mantenimiento o ajuste deberán ser realizados en un Centro de servicio o fábrica autorizado por Makita, empleando siempre piezas de repuesto de Makita.

ACCESORIOS

PRECAUCIÓN:

- Estos accesorios o aditamentos están recomendados para su uso con la herramienta Makita especificada en este manual. El uso de cualquier otro accesorio o aditamento puede suponer un riesgo de lesiones personales. Utilice el accesorio o aditamento exclusivamente para su uso declarado.

Si necesita información más detallada sobre estos accesorios, consulte con su centro local de servicio de Makita.

- Grapas
- Mangueras de aire
- Gafas de seguridad

Explicação geral

1 Saída de ar do compressor por minuto	7 Pino de bloqueio	16 Trinco
2 Frequência de agrafar (vezes/ minuto)	8 Propulsor	17 Chave de parafusos com broca de encaixe
3 Placa de regulação de profundidade	9 Encaixe de ar	18 Trinco
4 Chave hexagonal	10 Tomada de ar	19 Porta
5 Gancho	11 Gatilho	20 Válvula de drenagem
6 Parafuso	12 Elemento de contacto	21 Filtro de ar
	13 Peça de trabalho	22 Lubrificador
	14 Cobertura da saída	23 Óleo pneumático
	15 Guia de perfuração	

ESPECIFICAÇÕES

Modelo	AT1150A	AT2550A
Pressão de ar	0,44 – 0,83 MPa (4,4 – 8,3 bar)	
Agrafos utilizáveis	25 mm – 50 mm	
Capacidade de agrafar	140 pcs.	
Diâmetro mínimo do tubo	6,5 mm	
Dimensões (C x A x P)	370 mm x 87 mm x 290 mm	370 mm x 76 mm x 260 mm
Peso líquido	2,3 kg	2,3 kg

- Devido ao nosso programa contínuo de pesquisa e desenvolvimento, as características indicadas neste documento estão sujeitas a alterações sem aviso prévio.
- Nota: As características podem diferir de país para país.

INSTRUÇÕES IMPORTANTES DE SEGURANÇA

AVISO:

AO UTILIZAR ESTA FERRAMENTA, OBSERVE SEMPRE AS PRECAUÇÕES BÁSICAS DE SEGURANÇA PARA REDUZIR O RISCO DE ACIDENTES PESSOAIS, INCLUSIVE O SEGUINTE:

LEIA TODAS AS INSTRUÇÕES.

- Para sua própria segurança pessoal e funcionamento adequado da ferramenta, leia estas instruções antes de utilizar a ferramenta.
- Use sempre óculos de protecção para proteger os seus olhos do pó ou danos causados pelos agrafos.

AVISO:

É de responsabilidade do empregador fazer com que os operadores da ferramenta bem como outras pessoas na área de trabalho utilizem óculos de segurança.

- Só para a Austrália e Nova Zelândia

Use sempre óculos de protecção e máscara para proteger os seus olhos do pó ou danos causados pelos agrafos. Os óculos de protecção e a máscara devem cumprir as normas AS/NZS 1336.

AVISO:

É de responsabilidade do empregador fazer com que os operadores da ferramenta bem como outras pessoas na área de trabalho utilizem óculos de segurança.



- Use capacetes e protectores de ouvido para proteger contra o ruído do escape. Use roupas leves, mas não largas. As mangas do vestuário devem estar abotoadas ou arregaçadas. Não usar gravata.
- É perigoso forçar a ferramenta ou tentar apressar o trabalho. Manuseie a ferramenta com muito cuidado. Não utilizar a ferramenta se você estiver sob a influência de álcool ou drogas.

Normas gerais para o manuseio da ferramenta:

1. Assuma sempre que a ferramenta está carregada com pregos.
2. Não aponte a ferramenta para si mesmo nem para outras pessoas, quer esteja carregada de pregos ou não.
3. Não accione a ferramenta a menos que a mesma esteja firmemente colocada contra a peça de trabalho.
4. Respeite a ferramenta como um implemento de trabalho.
5. Não brinque com a ferramenta.
6. Não segure nem carregue a ferramenta com o dedo no gatilho.

7. Não carregue os pregos na ferramenta se qualquer um dos controlos de funcionamento estiver activado.
 8. Não funcione a ferramenta com fonte de alimentação diferente daquela especificada nas instruções de segurança/operação.
- Nunca utilize uma ferramenta que não esteja a funcionar devidamente.
 - Ao utilizar a ferramenta às vezes saem faíscas. Não utilize a ferramenta perto de materiais voláteis ou inflamáveis, tais como gasolina, diluente, tinta, gás, adesivos, etc, pois esses podem incendiar e explodir, causando ferimentos graves.
 - A área de trabalho deve ser bem iluminada para garantir uma operação com segurança. A área de trabalho deve ser limpa e livre de entulhos. Tenha cuidado e mantenha uma posição segura e equilibrada.
 - Apenas as pessoas envolvidas no trabalho devem estar nas proximidades. As crianças em especial devem ficar sempre afastadas da área.
 - Pode haver regulamentos locais com respeito ao ruído, os quais devem ser cumpridos mantendo-se o nível de ruído dentro dos limites indicados. Em alguns casos, deve-se usar um silenciador.
 - Não brinque com o elemento de contacto: este previne o accionamento acidental e, portanto, não deve ser removido. Também é muito perigoso deixar o gatilho na posição de ligado (ON). Nunca tente prender o gatilho. Não funcione com a ferramenta se qualquer controlo estiver estragado, desligado, alterado ou a não funcionar correctamente.
 - Funcione com a ferramenta dentro da pressão de ar especificada de 0,44 – 0,83 MPa (4,4 – 8,3 bar) para segurança e para prolongar a vida útil da ferramenta. Não exceda a pressão de operação máxima recomendada de 0,83 MPa (8,3 bar). Não ligue a ferramenta a uma fonte cuja pressão potencialmente exceda 1,37 MPa (13,7 bar).
 - Assegure-se de que a pressão fornecida pelo sistema de ar comprimido não exceda a pressão máxima permitida para a ferramenta de pregar. Inicialmente ajuste a pressão do ar no valor mínimo recomendado para a pressão permitida (consulte as ESPECIFICAÇÕES).
 - Nunca use a ferramenta a não ser com ar comprimido. Se utilizar gás engarrafado (dióxido de carbono, oxigénio, nitrogénio, hidrogénio, ar, etc.) ou gás combustível (hidrogénio, propano, acetileno, etc.) como fonte de alimentação, a ferramenta explodirá causando ferimentos graves.
 - Antes de funcionar, verifique sempre a condição geral da ferramenta e inspecione para ver se há parafusos soltos. Aperte-os como necessário.
 - Certifique-se de que todos os sistemas de segurança estão a funcionar adequadamente antes da operação. A ferramenta não deve funcionar simplesmente ao apertar o gatilho ou ao pressionar o elemento de contacto contra a madeira. Ela deve funcionar apenas ao executar ambas as acções. Verifique se a ferramenta funciona correctamente sem agrafos colocados.
 - Inspecione cuidadosamente as paredes, tecto, pisos e telhados para evitar o risco de choque eléctrico, fuga de gás, explosões, etc. que podem ser causados se encontrar fios ligados, condutos ou canos de gás.
 - Use só os agrafos especificados neste manual. O uso de outros agrafos pode causar mau funcionamento da ferramenta.
 - Nunca utilize pregadores marcados com a inscrição “Não utilizar em andaimes ou escadas” para aplicações específicas, por exemplo:
 - quando ao mudar de uma posição de trabalho para outra for preciso utilizar andaimes, degraus, escadas usadas em construção, como ripa de telhado;
 - ao fechar caixas ou engradados;
 - ao fixar sistemas de segurança de transporte, como em veículos ou vagões.
 - Não permita que pessoas não familiarizadas utilizem a ferramenta.
 - Certifique-se de que ninguém está perto antes de agrafar. Nunca tente agrafar pelo interior e exterior ao mesmo tempo. Os agrafos podem rasgar e/ou saltar apresentando grave perigo.
 - Tenha cuidado e mantenha-se numa posição firme e equilibrada ao utilizar a ferramenta. Certifique-se de que ninguém está por baixo quando trabalhando em locais altos e afixe o tubo de ar para prevenir acidentes caso a mesma se enrosque em algo ou haja um movimento brusco e súbito.
 - Em telhados e noutros locais altos, agrafe deslocando-se para a frente. É mais fácil desequilibrar-se se agrafar enquanto recua. Quando agrafa numa superfície perpendicular, agrafe de cima para baixo. Não será tão fatigante se assim fizer.
 - O agrafador ficará dobrado ou a ferramenta pode ficar obstruída se por engano agrafar em cima de outro agrafador ou num nº da madeira. O agrafador pode saltar e atingir alguém ou a ferramenta pode reagir perigosamente. Agrafe com cuidado.
 - Não deixe a ferramenta carregada ou o compressor de ar com pressão sob o sol por muito tempo. Cuide para que poeira, areia, pedaços de madeira ou outros objectos estranhos não entrem na ferramenta onde a deixar.
 - Não aponte o porto de ejeção a ninguém nas proximidades. Mantenha as mãos e pés afastados da área do porto de ejeção.
 - Se o tubo de ar estiver conectado, não carregue a ferramenta com o dedo no gatilho nem a entregue a alguém nessa condição. O disparo acidental pode ser extremamente perigoso.
 - Manuseie a ferramenta com cuidado dado que há pressão muito alta dentro da mesma e pode ser perigoso se houver uma fissura causada por manuseio impróprio (derrubar ou bater a mesma). Não tente entalhar ou insculpir na ferramenta.
 - Pare imediatamente de agrafar se notar algo errado ou estranho com a ferramenta.
 - Desligue sempre o tubo de ar e retire todos os agrafos:
 1. Quando desatendida.

2. Antes de efectuar a manutenção ou reparos.
 3. Antes de eliminar qualquer obstrução.
 4. Antes de levar a ferramenta para um novo local.
- Efectue a limpeza e a manutenção logo após terminar o trabalho. Mantenha a ferramenta em ótimas condições. Lubrifique as peças giratórias para evitar que fiquem enferrujadas e para minimizar o desgaste devido à fricção. Limpe a poeira das peças.
 - Não funcione com esta ferramenta se não tiver uma ETIQUETA DE AVISO legível.
 - Não modifique a ferramenta sem autorização prévia da Makita.
 - Solicite a inspeção periódica da ferramenta nos centros de assistência autorizada Makita.
 - Para manter a SEGURANÇA e a CONFIABILIDADE do produto, a manutenção e os reparos deverão ser realizados por centros de assistência autorizada Makita, sempre utilizando peças de reposição originais Makita.
 - Utilize apenas óleo pneumático para ferramenta especificado neste manual.
 - Nunca ligue a ferramenta a uma linha de ar comprimido cuja pressão máxima permitida não possa exceder 10%. Assegure-se de que a pressão fornecida pelo sistema de ar comprimido não exceda a pressão máxima permitida para a ferramenta de pregar. Inicialmente ajuste a pressão do ar no valor mínimo recomendado para a pressão permitida.
 - Não tente manter o elemento de contacto do gatilho pressionado com fita ou arame. Isso pode causar ferimentos graves ou morte.
 - Examine sempre o elemento de contacto como indicado neste manual. Pode agraçar acidentalmente se o mecanismo de segurança não estiver a funcionar correctamente.

GUARDE ESTAS INSTRUÇÕES.

INSTALAÇÃO

Seleção do compressor (Fig. 1 e 2)

Selecione um compressor que tenha ampla pressão e saída de ar para assegurar uma operação rentável. O gráfico mostra a relação entre a frequência de agraçar, a pressão aplicada e a saída de ar do compressor.

Assim, por exemplo, se agraçar a uma velocidade de aproximadamente 60 vezes por minuto com compressão de 0,68 MPa (6,8 bar), necessita de um compressor com saída de ar superior a 90 L/minuto.

Deve utilizar reguladores de pressão para limitar a pressão do ar à pressão nominal da ferramenta, quando a pressão de fornecimento de ar excede essa pressão nominal. Se não o fizer pode causar danos sérios ao operador ou a alguém perto.

Seleção do tubo de ar (Fig. 3)

Use um tubo de ar o mais largo e curto possível para assegurar uma operação de agraçar eficiente e contínua. Com uma pressão de 0,49 MPa (4,9 bar), recomenda-se um tubo de ar com um diâmetro interno de mais de 8,5 mm e um comprimento inferior a 20 mm quando o intervalo entre cada agraço é de 0,5 segundos. Os tubos de fornecimento de ar devem ter uma pressão funcional mínima de 1,0 MPa (10 bar) ou 150 por cento da pressão máxima produzida no sistema, o que for superior.

PRECAUÇÃO:

- Baixa saída de ar do compressor, ou um tubo de ar comprido ou estreito relativamente à frequência de agraço pode causar uma diminuição na capacidade de agraçar da ferramenta.

Lubrificação (Fig. 4)

Para assegurar máximo rendimento, instale um conjunto de ar (lubrificador, regulador, filtro de ar) o mais perto possível da ferramenta. Regule o lubrificador de modo a que dê uma gota de óleo em cada 50 agraços.

Quando não utilize um conjunto de ar, lubrifique a ferramenta colocando 2 (duas) ou 3 (três) gotas no encaixe de ar. Isto deve ser feito antes e depois da utilização. Para uma lubrificação adequada, a ferramenta deve ser disparada umas vezes depois de ter introduzido o óleo para ferramenta pneumática.

DESCRIÇÃO FUNCIONAL

PRECAUÇÃO:

- Desligue sempre o tubo antes de regular ou verificar qualquer função da ferramenta.

Regulação da profundidade do agraço

Para regular a profundidade do agraço, solte o perno utilizando a chave hexagonal fornecida com a ferramenta e em seguida deslize a placa de regulação de profundidade para cima ou para baixo. (Fig. 5)

Se não conseguir agraçar com profundidade suficiente, deslize a placa de regulação na direcção da seta como indicado na figura. (Fig. 6)

Se os agraços ficarem muito fundos, deslize a placa de regulação na direcção da seta como indicado na figura. (Fig. 7)

A profundidade pode ser regulada de 5 mm ao máximo. Aperte firmemente o perno na posição à direita depois da regulação.

MONTAGEM

PRECAUÇÃO:

- Desligue sempre o tubo antes de executar qualquer manutenção na ferramenta.

Gancho

PRECAUÇÃO:

- Desligue sempre o tubo da ferramenta.
- Nunca pendure a ferramenta num local alto ou numa superfície potencialmente instável.

O gancho é conveniente para pendurar temporariamente a ferramenta. Prenda o gancho na ferramenta com o parafuso fornecido, utilizando qualquer dos orifícios no gancho como ilustrado. (Fig. 8)

Carregamento de agrafos

PRECAUÇÃO:

- Desligue sempre o tubo antes de carregar a ferramenta.
- Não use agrafos deformados ou uma faixa de agrafos. Se o fizer causará má alimentação dos agrafos.
- Use sempre os agrafos especificados neste manual de instruções. Se não o fizer causará má alimentação dos agrafos.
- Volte sempre o propulsor devagar e com cuidado enquanto lhe pega.

Escolha agrafos adequados para o seu trabalho. Certifique-se de que o tubo está desligado da ferramenta.

1. Puxe o propulsor para a parte de trás do magazine e engate a ranhura no propulsor no pino de bloqueio. (Fig. 9)
2. Insira a faixa de agrafos no magazine. Pode carregar duas faixas de agrafos. (Fig. 10)
3. Pressione o pino de bloqueio ligeiramente e puxe o propulsor para o desenganchar. Com o pino de bloqueio pressionado, volte o propulsor devagar e cuidadosamente para a posição original. Mantenha o pino de bloqueio pressionado até que fique colocado no seu lugar. (Fig. 11)

Ligação do tubo de ar (Fig. 12)

Deslize a tomada de ar no tubo de ar no encaixe do ar no agrafador. Certifique-se de que a tomada de ar fica presa firmemente na posição quando instalada no encaixe de ar. Deve instalar uma junção na ferramenta ou perto, de modo a que o reservatório de pressão descarregue quando a junção de fornecimento de ar for desligada.

OPERAÇÃO

PRECAUÇÃO:

- Certifique-se de que todos os sistemas de segurança estão a funcionar correctamente antes da operação.

1. Carregue no gatilho primeiro e em seguida coloque o elemento de contacto contra a peça de trabalho. (Fig. 13 e 14)
2. Para perfurar um agrafado, pode colocar o elemento de contacto contra a peça de trabalho e carregar no gatilho, ou usar o método nº 1 para agrafar continuamente. O método nº 2 é para agrafar intermitentemente, quando desejar perfurar um agrafado precisa e cuidadosamente.

PRECAUÇÃO:

- No entanto, quando a ferramenta está regulada no modo de "Agrafar Intermitentemente", COM O GATILHO PRESSIONADO A MEIO, pode ocorrer um agrafado não pretendido se o elemento de contacto contactar a peça de trabalho ou qualquer outra superfície devido à influência do recuo.

Para evitar este agrafado não pretendido, execute o seguinte:

- A. Não coloque o elemento de contacto contra a peça de trabalho com força excessiva.
- B. Carregue completamente no gatilho e mantenha-o pressionado 1 – 2 segundos depois de agrafar.

No método nº 2, é utilizado o GATILHO OPCIONAL DE FAIXA SEQUENCIAL (PARTE DE DISPARO ÚNICO). Substitua a parte do gatilho.

Direcção de saída do ar (Fig. 15)

A direcção da saída de ar pode ser mudada num ângulo de 360 graus rodando a cobertura de saída com a mão.

Retirar os agrafos congestionados

AVISO:

- Desligue sempre o tubo antes de retirar os agrafos.

Retire os agrafos do magazine.

Levante com a mão o trinco na parte superior do guia de perfuração. (Fig. 16)

Se não conseguir levantar o trinco com a mão, insira uma chave de parafusos com broca de encaixe na folga entre o trinco e a porta e force-a para cima. (Fig. 17)

Abra a porta e retire os agrafos. (Fig. 18)

Coloque a mola do trinco nos dois ganchos da guia de perfuração e volte a colocá-lo na sua posição original pressionando-o. (Fig. 19)

PRECAUÇÃO:

- Se a ponta de perfuração de agrafos estiver gasta, a operação de agrafar não será executada correctamente. Quando isto acontecer, repare num Serviço Autorizado da Makita.

MANUTENÇÃO

PRECAUÇÃO:

- Desligue sempre o tubo de ar da ferramenta antes de executar qualquer inspeção ou manutenção.

Manutenção do agrafador

Verifique sempre as condições gerais da ferramenta e o aperto dos parafusos antes da operação. Necessitam de estar apertados. (Fig. 20)

Com a ferramenta desligada, faça uma inspeção diária para assegurar movimento livre do elemento de contacto e do gatilho. Não utilize a ferramenta se o elemento de contacto ou o gatilho ficar preso ou dobrado. (Fig. 21)

Quando não utilizar a ferramenta durante um longo período de tempo, lubrifique-a utilizando óleo pneumático para ferramenta e armazene-a num local seguro. Evite exposição à luz solar directa e/ou ambiente húmido ou quente. (Fig. 22 e 23)

Manutenção do compressor, conjunto e tubo de ar (Fig. 24 e 25)

Depois da operação, esvazie o tanque do compressor e o filtro de ar. Se entrar humidade na ferramenta, pode originar em mau rendimento e estrago da ferramenta. Verifique regularmente se há óleo pneumático suficiente no lubrificador do conjunto de ar. Se não houver lubrificação suficiente o anel em O pode estragar-se rapidamente. (Fig. 26)

Mantenha o tubo de ar afastado do calor (mais de 60°C), de químicos (diluente, ácidos fortes ou alcalinos). Coloque também o tubo afastado de obstáculos que possam prendê-lo durante a operação. Os tubos também devem ser afastados de extremidades aguçadas e áreas que possam originar estrago ou abrasão do tubo. (Fig. 27)

Para manter a SEGURANÇA e FIABILIDADE do produto, a reparação, bem como qualquer afinação ou manutenção devem sempre ser efectuadas num centro de assistência oficial Makita, utilizando sempre peças de substituição oficial.

ACESSÓRIOS

PRECAUÇÃO:

- Estes acessórios ou acoplamentos são os recomendados para uso na ferramenta MAKITA especificada neste manual. A utilização de qualquer outro acessórios ou acoplamento poderá ser perigosa para o operador. Os acessórios ou acoplamentos devem ser utilizados de maneira adequada e apenas para os fins a que se destinam.

No caso de necessitar ajuda para mais detalhes sobre estes acessórios, consulte ao departamento de assistência local da Makita.

- Agrafos
- Tubos de ar
- Óculos de protecção

Illustrationsoversigt

1 Trykluftoutput pr. minut	9 Luftbøsning	18 Lås
2 Klammeidrivningshyppighed (gange/min)	10 Lufttilslutning	19 Dør
3 Dybdejusteringsplade	11 Afbryder	20 Aftapningshane
4 Sekskantnøgle	12 Kontaktelement	21 Luftfilter
5 Krog	13 Arbejdsstykke	22 Smørenippel
6 Skrue	14 Udstødningsskærm	23olie til lufttryksværktøj
7 Låsestift	15 Drivværksstyr	
8 Skubbeanordning	16 Lås	
	17 Kærvskruetrækker	

SPECIFIKATIONER

Model	AT1150A	AT2550A
Lufttryk	0,44 – 0,83 MPa (4,4 – 8,3 bar)	
Anvendelige hæfteklammer	25 mm – 50 mm	
Klammekapacitet	140 pcs.	
Min. slangediameter	6,5 mm	
Mål (B x H x D)	370 mm x 87 mm x 290 mm	370 mm x 76 mm x 260 mm
Nettovægt	2,3 kg	2,3 kg

- Ret til tekniske ændringer forbeholdes.
- Bemærk: Data kan variere fra land til land.

VIGTIGE SIKKERHEDSFORSKRIFTER

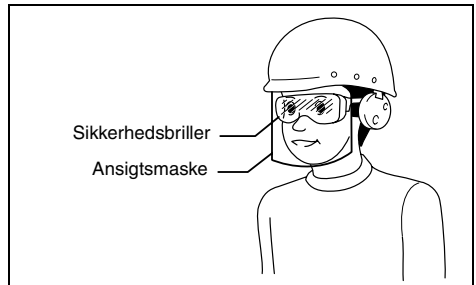
ADVARSEL
NÅR DENNE MASKINE ANVENDES, BØR MAN ALTID OVERHOLDE DE GRUNDLÆGGENDE SIKKERHEDSBESTEMMELSER, INKLUSIVE FØLGENDE:

LÆS ALLE INSTRUKTIONERNE.

- Læs denne brugsvejledning, inden De tager maskinen i brug, således at personlig sikkerhed og vedligeholdelse af maskinen sikres.
 - Anvend altid beskyttelsesbriller, så Deres øjne er beskyttet mod støv og skader forårsaget af hæfteklammer.
- ADVARSEL:**
 Det påhviler arbejdsgiveren at håndhæve anvendelsen af sikkerhedsudstyr for øjnene, som anvendes af brugeren eller andre personer i umiddelbar nærhed af arbejdsområdet.

- Kun til Australien og New Zealand
 Anvend altid beskyttelsesbriller, så Deres øjne er beskyttet mod støv og skader forårsaget af hæfteklammer. Sikkerhedsbrillerne og ansigtsmasken bør opfylde kravene i AS/NZS 1336.

ADVARSEL:
 Det påhviler arbejdsgiveren at håndhæve anvendelsen af sikkerhedsudstyr for øjnene, som anvendes af brugeren eller andre personer i umiddelbar nærhed af arbejdsområdet.



- Anvend høreværn til beskyttelse af hørelsen mod støj fra udstødningen og anvend ligeledes hovedbeskyttelse. Anvend desuden altid let, men ikke løs beklædning. Ærmer bør være knappet eller rullet op. Undgå at bære slips.
- Der er farligt at forcere arbejdet eller presse maskinen. Håndter maskinen med forsigtighed. Anvend ikke maskinen under indflydelse af alkohol, medikamenter og lignende.

Generelle retningslinier for anvendelse af maskinen:

1. Tag det altid for givet at maskinen indeholder søm.
2. Ret ikke maskinen mod Dem selv eller andre, hverken når den indeholder søm eller ikke.
3. Aktiver ikke maskinen, med mindre den er placeret fast mod arbejdsområdet.
4. Respekter maskinen som et arbejdsredskab.
5. Det er forbudt at lege med maskinen.
6. Lad være med at holde eller bære maskinen med en finger på afbryderkontakten.
7. Lad ikke maskinen med søm, hvis en af betjeningskontrollerne er aktiveret.

8. Anvend ikke maskinen med nogen anden strømkilde end den, der er specificeret i maskinens brugsvejledning/sikkerhedsforskrifter.
- En maskine, der ikke fungerer korrekt, må ikke anvendes.
 - Der forekommer af og til gnistdannelse, når maskinen anvendes. Anvend ikke maskinen i nærheden af flygtige, antændelige materialer som for eksempel benzin, fortynder, maling, gas, klæbemidler osv. Disse materialer kan antændes og eksplodere med alvorlig personskade til følge.
 - Arbejdsområdet bør være tilstrækkeligt oplyst, så arbejdet kan foregå sikkerhedsmæssigt forsvarligt. Arbejdsområdet bør være ryddeligt og fri for affald. Vær særlig omhyggelig med at opretholde et godt fodfæste og en god balance.
 - Kun personer, som har med arbejdet at gøre, bør opholde sig i området. Specielt børn bør til alle tider holdes borte fra området.
 - Der kan være lokale bestemmelser om støj, som skal overholdes, ved at støjniveauet holdes indenfor de foreskrevne grænser. I visse tilfælde bør der anvendes skodder til at dæmpe lyden.
 - Lad være med at lege med kontaktelelementet: det forebygger utilsigtet afladning, hvorfor det altid skal sidde på og ikke må fjernes. Fastlåsning af afbryderkontakten i aktiveret stilling (ON) er ligeledes meget farligt. Forsøg aldrig af fastlåse afbryderkontakten. Anvend ikke en maskine, hvis nogen af dens betjeningskontroller er inoperative, afbrudte, ændrede eller ikke er funktionsdygtige.
 - Anvend kun maskinen indenfor det anbefalede lufttryk på 0,44 – 0,83 MPa (4,4 – 8,3 bar), således at maskinens sikkerhed opretholdes og dens levetid bliver længere. Oveskrid ikke det anbefalede, maksimale brugstryk på 0,83 MPa (8,3 bar). Maskinen bør ikke tilsluttes en strømkilde, hvis tryk potentielt overstiger 1,37 MPa (13,7 bar).
 - Sørg for, at det tryk, som leveres af trykluftssystemet, ikke overstiger det maksimalt tilladte tryk for maskinen. Indstil først trykket til den laveste værdi for det anbefalede, tilladte tryk (se SPECIFIKATIONER).
 - Anvend aldrig maskinen med andet en trykluft. Hvis flaskegas (kuldioxid, ilt, nitrogen, hydrogen, luft osv.) eller brændbar gas (hydrogen, propan, acetylen osv.) anvendes som brændstof til denne maskine, vil maskinen eksplodere og medføre alvorlig personskade.
 - Kontroller altid maskinens generelle tilstand og om der er løse skruer inden anvendelsen. Stram som påkrævet.
 - Sørg for, at alle sikkerhedssystemer er i korrekt funktionsstand inden anvendelsen. Maskinen må ikke anvendes, hvis kun afbryderkontakten er aktiveret eller hvis kun kontaktarmen er trykket mod træet. Den må kun anvendes, hvis begge handlinger udføres. Se efter om der er fejlagtig operation uden isatte hæftelammer.
 - Kontroller omhyggeligt vægge, lofter, gulve, tagmaterialer og lignende for at undgå risiko for elektrisk stød, udsivning af gas, eksplosion osv., som er forårsaget af berøring af strømførende ledninger, ledningsrør eller gasrør.
 - Anvend kun hæftelammer, som er specificeret i denne brugsanvisning. Anvendelse af andre hæftelammer kan bevirke, at maskinen ikke fungerer som den skal.
 - Anvend aldrig maskiner, som er mærket med symbolet "Må ikke anvendes på stilladser, stiger" til specifikke anvendelser som for eksempel:
 - når ændring af et idrivningsområde indebærer anvendelse af stilladser, trapper, stiger eller stige lignende konstruktioner, for eksempel taglægger,
 - ved lukning af kasser og tremmekasser,
 - fastgøring af sikkerhedssystemer osv. på køretøjer og vogne.
 - Tillad ikke, at uerfarne personer anvender maskinen.
 - Sørg for, at der ikke er nogen personer i nærheden under arbejdet. Forsøg aldrig at hæfte fra både undersiden og ydersiden samtidigt. Dette kan bevirke, at hæftelammerne skærer igennem og/eller slynges af, hvilken kan være meget farligt.
 - Sørg for solidt fodfæste og hold altid balancen med maskinen. Bekræft, at der ikke befinder sig nogen personer nedenunder, når De arbejder i højden, og fastgør luftslangen for at forebygge fare, hvis der skulle opstå pludselig rysten eller fastklæmning.
 - Ved arbejde på et tag eller andre høje steder, skal De udføre hæftearbejdet, mens De bevæger dem fremad. De kan nemt miste balancen, hvis De udfører hæftearbejdet, mens De bevæger Dem baglæns. Når der udføres hæftearbejde på vinkelettede flader, skal dette foregå fra ovenfra og nedefter. Dette gør, at arbejdet bliver mindre trættende.
 - En hæftelamme vil blive bøjet eller maskinen kan sætte sig fast, hvis De ved en fejltagelse hæfter ovenpå en anden hæftelamme eller rammer en knast i træet. Hæftelammen kan slynges bort og ramme en person i nærheden, eller selve maskinen kan reagere på en farlig måde. Anbring altid hæftelammerne med omhu.
 - Efterlad ikke den ladte maskine eller luftkompressoren under tryk i solen i et længere tidsrum. Sørg for, at støv, sand, spåner og fremmedlegemer ikke kommer ind i maskinen på det sted, hvor den efterlades.
 - Ret ikke ejektionsporten mod nogen i nærheden. Hold hænder og fødder på god afstand af ejektionsporten.
 - Når luftslangen er tilsluttet, må De ikke bære maskinen med en finger på afbryderkontakten eller række den til nogen anden person i denne tilstand. Utilsigtet affyring kan være meget farligt.
 - Behandl maskinen forsigtigt, da der er højtryk inden i den, som kan udgøre en fare, hvis der opstår en revne på grund af voldsom håndtering (tab eller slag). Forsøg ikke at skære eller gravere i maskinen.
 - Stop øjeblikkeligt arbejdet, hvis De bemærker at der er noget galt eller usædvanligt med maskinen.
 - Tag altid luftslangen ud af forbindelse og fjern alle hæftelammerne.
 1. Når uovervåget.
 2. Inden vedligeholdelse eller reparation udføres.

3. Inden fastklemning udbedres.
 4. Inden maskinen flyttes til et nyt sted.
- Udfør rengøring og vedligeholdelse lige efter at arbejdet er afsluttet. Sørg altid for, at maskinen er i tip-top stand. Smør de bevægelige dele for at forhindre rustdannelse og minimere friktionsrelateret slitage. Tør al støv bort fra delene.
 - Anvend ikke denne maskine, hvis den ikke er udstyret med en gyldig ADVARSELSMÆRKAT.
 - Der må ikke udføres ændringer på maskinen uden tilladelse fra Makita.
 - Få et af Makita autoriseret servicenter til at udføre et periodisk eftersyn af maskinen.
 - For at opretholde SIKKERHEDEN og PÅLIDELIGHEDEN af produktet, bør vedligeholdelse og reparationer altid udføres af et af Makita autoriseret servicecenter med anvendelse af originale Makita-reservedele.
 - Anvend udelukkende olie til trykluftsværktøj i denne brugsvejledning.
 - Tilslut aldrig maskinen til en trykluftsledning, hvor det maksimalt tilladte tryk for maskinen ikke kan overstiges med 10%. Sørg for, at det tryk, som leveres af trykluftssystemet, ikke overstiger det maksimalt tilladte tryk for maskinen. Indstil først lufttrykket til den laveste værdi for det anbefalede, tilladte tryk.
 - Forsøg ikke at holde afbryderkontaktelementet nede ved hjælp af tape eller tråd. Hæfteklammer kan blive utilsigtet idrevet, hvis sikkerhedsmekanismen ikke fungerer korrekt.
 - Kontroller altid kontaktelementet som anvist i denne brugsanvisning. Hvis sikkerhedsmekanismen ikke fungerer ordentligt, kan hæfteklammerne blive utilsigtet idrevet.

GEM DISSE INSTRUKTIONER.

INSTALLATION

Valg af kompressor (Fig. 1 og 2)

Vælg en kompressor, som leverer et fornødent tryk og tilstrækkelig luft til at en omkostningseffektiv anvendelse sikres. Grafen viser forholdet mellem hyppigheden af hæfteklamme-idrivning, anvendt tryk og kompressorluft. Hvis for eksempel hæfteklamme-idrivning finder sted med en hyppighed af cirka 60 gange i minuttet ved en kompression på 0,68 MPa (6,8 bar), vil en kompressor med en luftafgivelse på over 90 liter/minut være påkrævet.

Trykregulatorer skal anvendes til at begrænse maskinens lufttryk, hvis forsyningslufttrykket overstiger maskinens nominelle tryk. Forsømmelse af dette kan resultere i alvorlig tilskadekomst af maskinoperatøren eller personer i nærheden.

Valg af luftslange (Fig. 3)

Anvend en luftslange, som er så stor og kort som muligt, for at sikre en uafbrudt og effektiv hæfteklammeidrivning. Med et lufttryk på 0,49 MPa (4,9 bar) anbefales en luftslange med en indvendig diameter på over 8,5 mm (5/16") og en længde på mindre end 20 m (66 ft.), når intervallet mellem hver hæfteklammeidrivning er 0,5 sekunder. En forsyningsslange bør have en mindste arbejdsstrykværdi på 1,0 MPa (10 bar) eller 150 procent af det maksimale tryk, som frembringes i systemet, hvilket der måtte være højest.

FORSIGTIG:

- En lav luftafgivelse fra kompressoren eller en luftslange med en mindre diameter i relation til hyppigheden af hæfteklammeidrivning kan forårsage en mindsning af maskinens idrivningskapacitet.

Smøring (Fig. 4)

For at sikre maksimal ydelse, skal der monteres et luft-sæt (smørenippel, regulator, luftfilter) så nær maskinen som muligt. Juster smørenipelen således, at en enkelt dråbe olie kommer ud for hver 50 hæfteklammer. Hvis der ikke anvendes et luftsæt, skal maskinen smøres med olie til lufttryksværktøj ved at man kommer 2 (to) eller 3 (tre) dråber ind i lufttilslutningen. Dette bør gøres inden og efter brugen. For at en ordentlig smøring kan opnås, skal maskinen aftrykkes et par gange, efter at den er forsynet med olie til lufttryksværktøj.

FUNKTIONSBESKRIVELSE

FORSIGTIG:

- Tag altid slangen ud af forbindelse, inden De justerer eller kontrollerer funktionen af maskinen.

Indstilling af dybden af hæfteklammeidrivning

Dybden af hæftningen justeres ved at man løser bolten med den sekskantnøgle, som følger med maskinen, hvorefter man skyder justeringspladen op eller ned. (Fig. 5)

Hvis hæfteklammerne ikke kan drives dybt nok ind, skal man skyde justeringspladen i pilens retning som vist på illustrationen. (Fig. 6)

Hvis hæfteklammerne drives for dybt ind, skal man skyde justeringspladen i pilens retning som vist på illustrationen. (Fig. 7)

Dybden kan justeres fra 5 mm til den maksimale dybde. Stram bolten godt ved den højre position efter justering.

SAMLING

FORSIGTIG:

- Tag altid slangen ud af forbindelse, inden De udfører noget arbejde på maskinen.

Krog

FORSIGTIG:

- Tag altid slangen ud af forbindelse med maskinen.
- Hæng aldrig maskinen op på et højt sted eller på en potentielt usikker flade.

Krogen er praktisk til midlertidig ophængning af maskinen. Fastgør krogen på maskinen ved hjælp af den medfølgende skrue med brug af et af de to huller i krogen som vist på illustrationen. (Fig. 8)

Isætning af hæfteklammer

FORSIGTIG:

- Tag altid slangen af, inden De sætter hæfteklammer i maskinen.
- Anvend ikke deformerede hæfteklammer eller bånd til hæfteklammer. Dette kan bevirke, at fremføringen af hæfteklammerne bliver dårlig.
- Anvend udelukkende de hæfteklammer, som er specificeret i denne brugsanvisning. Anvendelse af andre hæfteklammer kan føre til, at fremføringen af hæfteklammerne bliver utilstrækkelig.
- Returner altid skubbeordningen langsomt, idet De holder den med hånden.

Vælg hæfteklammer, som er egnede til det pågældende arbejde. Sørg for, at slangen er taget af maskinen.

1. Tryk skubbeordningen mod bagenden af magasinet og sæt rillen i skubbeordningen på låsestiftet. **(Fig. 9)**
2. Sæt båndet med hæfteklammer ind i magasinet. Der kan sættes to bånd med hæfteklammer i. **(Fig. 10)**
3. Tryk låsestiften en smule ned og træk i skubbeordningen for at frigøre den.
Med låsestiften trykket ned, returneres skubbeordningen langsomt og forsigtigt til udgangsstillingen. Bliv ved med at trykke låsestiften ned, indtil den går igennem. **(Fig. 11)**

Montering af luftslangen (Fig. 12)

Sæt luftslangens lufttilslutning på luftbøsningen på hæftemaskinen. Sørg for, at lufttilslutningen låses godt i stilling, når den monteres på luftbøsningen. En slangekobling skal være monteret på eller i nærheden af maskinen på en sådan måde, at trykreservoaret vil blive udtømt på det tidspunkt, hvor luftforsyningskoblingen tages af.

BETJENING

FORSIGTIG:

- Sørg for, at alle sikkerhedssystemer fungerer, inden maskinen tages i anvendelse.
1. Træk først afbryderen, og anbring derefter kontaktele mentet mod arbejdsstykket. **(Fig. 13 og 14)**
 2. For at drive en hæfteklamme i, kan De anbringe kontaktele mentet mod arbejdsstykket og trække afbryderen, eller anvende metode nr. 1 til kontinuerlig idrivning af hæfteklammer.
Metode nr. 2 er til trinvis idrivning af hæfteklammer, når De ønsker at drive en hæfteklamme i på omhyggelig og nøjagtig vis.

FORSIGTIG:

- Hvis maskinen imidlertid er sat til indstillingen "Trinvis idrivning", MED AFBRYDEREN HOLDT i HALVT TRUKKET STILLING, kan en uventet idrivning finde sted, hvis kontaktele mentet får lov til igen at komme i kontakt med arbejdsstykket eller den anden flade under indflydelse af tilbageslag.
Foretag følgende, så den uventede idrivning af hæfteklammer undgås:
- A. Anbring ikke kontaktele mentet mod arbejdsstykket med et ekstremt pres.

- B. Træk afbryderen helt i bund, og hold den der i 1 – 2 sekunder efter idrivning af hæfteklammer.

Ved metode nr. 2 anvendes den OPTIONELLE, SEKVENTIELLE TRIPAFBRYDER (ENGANGSDEL). Erstat afbryderen med denne.

Retning af udstødningsluft (Fig. 15)

Retningen af udstødningsluften kan ændres i en vinkel på 360 grader ved at man drejer udstødningskærmen med hånden.

Fjernelsen af fastklemte hæfteklammer

ADVARSEL:

- Tag altid slangen af, inden De fjerner hæfteklammerne.

Fjernelse af hæfteklammer fra magasinet.

Løft låsen øverst på drivværksstyret med hånden. **(Fig. 16)**

Hvis låsen ikke kan løftes med hånden, skal De sætte en kærvskruetrækker ind i mellemrummet mellem låsen og døren og tvinge den op. **(Fig. 17)**

Åbn døren og tag hæfteklammerne ud. **(Fig. 18)**

Anbring låsfjederen på to kroge på drivværksstyret, og returner den til udgangsstillingen ved at trykke på den. **(Fig. 19)**

FORSIGTIG:

- Hvis spidsen af stabeldrivværket er slidt, vil der være tendens til fastklemning af hæfteklammer og uregelmæssig idrivning. I dette tilfælde skal maskinen repareres af et autoriseret Makita servicecenter eller et fabrikksservicecenter.

VEDLIGEHODELSE

FORSIGTIG:

- Tag altid luftslangen af maskinen, inden De begynder at udføre eftersyn eller vedligeholdelse.

Vedligeholdelse af hæftemaskinen

Undersøg altid maskinens generelle tilstand og se efter, om der er løse skruer inden brugen. Stram efter som påkrævet. **(Fig. 20)**

Udfør dagligt eftersyn med maskinen taget ud af forbindelse for at sikre kontaktele mentets og afbryderens frie bevægelse. Anvend ikke maskinen, hvis kontaktele mentet eller afbryderen sidder fast eller binder. **(Fig. 21)**

Hvis maskinen ikke skal anvendes i et længere tidsrum, skal De smøre den ved hjælp af olie til lufttryksværktøj og anbringe maskinen til opbevaring på et sikkert sted. Undgå at maskinen udsættes for direkte sol og/eller omgivelser med luftfugtighed eller varme. **(Fig. 22 og 23)**

Vedligeholdelse af kompressor, luftsæt og luftslange (Fig. 24 og 25)

Efter anvendelse skal kompressortanken og luftfilteret altid tømmes. Hvis fugt får lov til at trænge ind i maskinen, kan resultatet blive ringe maskinydelse og risiko for maskinsammenbrud. Kontroller med jævne mellemrum, om der er tilstrækkeligt med olie til luftryksvæktøj i smøreniplen i luftsættet. Forsømmelse af at opretholde tilstrækkelig smøring vil bevirke, at O-ringene slides hurtigt. (Fig. 26)

Hold luftslangen på god afstand af varme (over 60°C, over 140°F), og på god afstand af kemikalier (fortynder, stærke syrer og alkaliske stoffer). Sørg ligeledes for at føre slangen på god afstand af genstande, som den kan komme i karambolage med på farlig vis under arbejdet. Slinger skal også holdes borte fra skarpe kanter og steder, som kan medføre beskadigelse af eller revner i slangen. (Fig. 27)

For at opretholde produktets SIKKERHED og PÅLIDELIGHED bør reparation, vedligeholdelse og justering kun udføres af et autoriseret Makita servicecenter eller et fabrikksservicecenter med anvendelse af originale Makita udskiftningsdele.

TILBEHØR

FORSIGTIG:

- Det følgende tilbehør og ekstraudstyr er anbefalet til brug med Deres Makita maskine, der er beskrevet i denne brugsanvisning. Anvendelse af andet tilbehør eller ekstraudstyr kan udgøre en risiko for personskade. Anvend kun tilbehør og ekstraudstyr til det beskrevne formål.

Hvis De har behov for yderligere detaljer om dette tilbehør, bedes De kontakte Deres lokale Makita Service Center.

- Hæfteklammer
- Luftslinger
- Sikkerhedsbriller

Förklaring av allmän översikt

1 Luftvolym per minut från kompressor	9 Tryckluftingång	18 Spärr
2 Klamringshastighet (ggr/min.)	10 Tryckluftkoppling	19 Lucka
3 Djupjusteringsplatta	11 Avtryckare	20 Dräneringskran
4 Insexnyckel	12 Kontaktplatta	21 Lufffilter
5 Hängare	13 Arbetsstycke	22 Oljedosa
6 Skruv	14 Kåpa över luftutblås	23 Tryckluftolja
7 Låsstift	15 Klammerguide	
8 Påskjutare	16 Spärr	
	17 Spårskruvmejsel	

TEKNISKA DATA

Modelle	AT1150A	AT2550A
Lufftryck	0,44 – 0,83 MPa (4,4 – 8,3 bar)	
Passande klammer	25 mm – 50 mm	
Klammerkapacitet	140 pcs.	
Minsta slang diameter	6,5 mm	
Dimensioner (L x H x B)	370 mm x 87 mm x 290 mm	370 mm x 76 mm x 260 mm
Nettovikt	2,3 kg	2,3 kg

- På grund av det kontinuerliga programmet för forskning och utveckling, kan här angivna tekniska data ändras utan föregående meddelande.
- Observera: Tekniska data kan variera i olika länder.

VIKTIGA SÄKERHETSANVISNINGAR

VARNING:

VID ANVÄNDNING AV MASKINEN MÅSTE ALLTID GRUNDLÄGGANDE SÄKERHETSANVISNINGAR FÖLJAS FÖR ATT MINIMERA RISKEN FÖR PERSONSKADOR. DESSA INNEFATTAR FÖLJANDE:

LÄS ALLA ANVISNINGAR.

- Den här bruksanvisningen måste läsas före användning av maskinen för att förhindra personskador och se till att maskinen används och underhålls på rätt sätt.
- Bär alltid skyddsglasögon för att skydda ögonen från att skadas av damm eller klamrar.

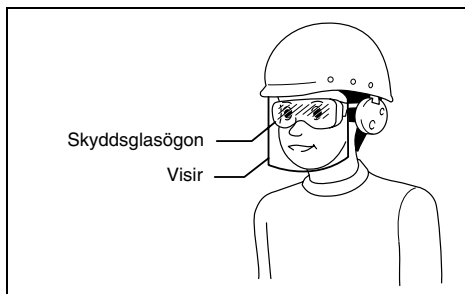
VARNING:

Arbetsgivaren ansvarar för att maskinanvändaren och personal som arbetar i omedelbar närhet av maskinen använder ögonskydd.

- Endast för Australien och Nya Zeeland
Bär alltid skyddsglasögon och visir för att skydda ögonen från att skadas av damm eller klamrar. Skyddsglasögon och visir bör uppfylla kraven enligt AS/NZS 1336.

VARNING:

Arbetsgivaren ansvarar för att maskinanvändaren och personal som arbetar i omedelbar närhet av maskinen använder ögonskydd.



- Använd hjälm och använd hörselskydd för att skydda mot ljudet från luftutblåset. Bär dessutom lätt men ej löst sittande klädsel. Ärmar ska vara knäppta eller upprullade. Ha inte slips eller liknande.
- Det är farligt att ha bråttom eller att trycka för hårt i maskinen. Hantera maskinen varsamt. Använd inte maskinen om du är påverkad av alkohol eller andra droger eller läkemedel.

Allmänna riktlinjer för hantering av maskinen:

1. Utgå alltid från att maskinen är laddad med spik.
2. Rikta inte maskinen mot dig själv eller andra oavsett om det är laddat eller ej.
3. Aktivera maskinen endast då den hålls stadigt mot arbetsstycket.
4. Behandla alltid maskinen som ett arbetsredskap.
5. Lek inte med maskinen.
6. Maskinen får inte hållas eller bäras med fingret på avtryckaren.
7. Ladda inte spik i maskinen om något användningsreglage är aktiverat.
8. Använd inte annan spänningskälla för maskinens drift än vad som anges i bruksanvisningen.

- En maskin som inte fungerar som den ska får inte användas.
- Gnistor kan ibland bildas när maskinen används. Använd därför inte maskinen i närheten av flyktiga och brännbara material såsom bensin, tinner, målarfärg, gas, lim m.m. eftersom det kan orsaka antändning eller explosioner vilket kan leda till allvarliga personskador.
- Arbetsområdet måste ha tillräcklig belysning för att garantera en säker användning. Arbetsområdet ska vara rent och fritt från hindrande föremål. Var särskilt noga med att stå stabilt under användningen.
- Bara de som deltar i arbetet får uppehålla sig i närheten. Barn får aldrig vistas i närheten.
- Det kan finnas lokala bullerföreskrifter som gör att en viss ljudnivå inte får överskridas. I vissa fall kan bullret minskas genom att använda (fönster)luckor.
- Lek inte med kontaktplattan: Den är till för att förhindra att spikar skjuts ut oavsiktligt så den får inte tas bort. Det är också mycket farligt att låsa avtryckaren intryckt (ON). Använd inte maskinen om något reglage är trasigt, urkopplat, förändrat eller inte fungerar som det ska.
- Av säkerhetsskäl och för att inte maskinens livslängd ska minska får den användas endast med ett tryckluftstryck 0,44 – 0,83 MPa (4,4 – 8,3 bar). Överskrid inte det rekommenderade maximala trycket på 0,83 MPa (8,3 bar). Maskinen får inte anslutas till tryckluftledning där trycket kan överstiga 1,37 MPa (13,7 bar).
- Se till att den tryckluft som ansluts inte har ett tryck som överstiger spikmaskinens maximalt tillåtna tryck. Ställ i början in trycket till lägsta möjliga rekommenderade tryck (se TEKNISKA DATA).
- Försök aldrig driva maskinen med något annat än tryckluft. Om du försöker att använda gasflaskor (med koldioxid, syrgas, kvävgas, vätgas, luft etc.) eller brännbara gaser (vätgas, propan (gasol), acetylen etc.) för att driva maskinen kan det orsaka explosioner och leda till allvarliga personskador.
- Före användning måste du alltid kontrollera att maskinen är i gott skick och att inga skruvar är lösa. Dra i förekommande fall så lösa skruvar.
- Kontrollera alltid att alla skyddsanordningar fungerar innan maskinen används. Maskinen får inte användas så att det räcker att bara trycka in avtryckaren eller att det räcker att bara trycka kontaktplattan mot arbetsstycket. Både avtryckare och kontaktplatta måste användas. Kontrollera eventuella fel utan att ha klamrar i maskinen.
- Gör en noggrann kontroll av väggar, golv, inner- och yttertak för att inte orsaka kortslutningar/få stötar genom att spika i elledningar eller punktera gasledning och orsaka gasutsläpp.
- Använd endast klammer av den typ som anges i den här bruksanvisningen. Användning av andra klammertyper kan göra att maskinen inte fungerar.
- Använd aldrig spikmaskiner med symbolen "Använd inte på byggnadsställningar, stegar mm" för arbeten såsom:
 - där du måste flytta dig mellan spikplatserna via byggnadsställningar, trappor, stegar eller liknande, exempelvis takbrädor;
 - spikning av lådor;
 - sätta fast emballage på t.ex. fordon och vagnar.
- Låt inte personer använda maskinen om de inte instruerats i förväg.
- Se till att ingen finns i närheten när maskinen används. Försök aldrig att klamra från både insida och utsida på samma gång. Klamrarna kan komma igenom och skjutas ut vilket kan vara mycket farligt.
- Se till att stå stadigt och stabilt när maskinen används. Kontrollera att ingen befinner sig under när du arbetar på högt placerade ställen. Se dessutom till att tryckluftslangen är dragen så att den inte kan plötsligt rycka till eller fastna och därmed orsaka olyckor.
- Vid takarbete och arbete på andra högt belägna platser ska du klamra medan du rör dig framåt. Du kan lätt tappa fotfästet om du klamrar medan du rör dig bakåt. När du klamrar vertikala ytor ska du klamra uppifrån och neråt. Därigenom blir arbetet mindre tröttande.
- Klamrar kan böjas eller fastna i maskinen om du råkar sätta en klammer ovanpå en annan eller i en hård kvist. Klammern kan då kastas iväg och träffa någon alternativt kan hela maskinen kastas på ett farligt sätt. Tänk på var du placerar klamrarna.
- Låt inte en laddad maskin eller en trycksatt kompressor utsättas för solljus under längre tid. Kontrollera att damm, sand, spån och andra partiklar inte kan komma in i maskinen där den förvaras.
- Peka inte med utmatningshålet mot någon i närheten. Se till att inte ha händer eller fötter i närheten av utmatningshålet.
- När tryckluftslangen är ansluten får du inte bära maskinen med fingret på avtryckaren eller lämna över maskinen till någon. Oavsiktligt avfyrning kan vara mycket farligt.
- Hantera maskinen varsamt eftersom den är trycksatt vilket kan vara farligt om den spricker till följd av omlid behandling (att du tappar eller slår på den). Försök inte att rista in eller gravera något på maskinen.
- Stoppa omedelbart arbetet om det ser ut att vara något fel på maskinen eller något ovanligt med den.
- Koppla alltid loss tryckluftslangen och ta ut alla klamrar när:
 1. Maskinen lämnas utan tillsyn.
 2. Underhåll ska utföras på maskinen eller den ska repareras.
 3. En fastnad spik ska tas bort.
 4. Maskinen ska flyttas till annan plats.
- Utför rengöring och underhåll direkt efter att maskinen har använts. Håll maskinen i god kondition. Smörj rörliga delar för att förhindra rost och friktionsbetingad förlustning. Torka av damm från alla komponenter.
- Använd inte maskin som saknar läsbar VARNINGSTEXT.
- Gör inga ändringar av maskinen utan föregående medgivande från Makita.

- Be ett auktoriserat Makita servicecenter att utföra den regelbundna kontrollen av maskinen.
- För att bibehålla produktens SÄKERHET och TILLFÖRLITLIGHET måste underhåll och reparationer utföras av ett auktoriserat Makita servicecenter som bara använder originaldelar från Makita.
- Använd bara den tryckluftoljan som anges i den här bruksanvisningen.
- Anslut aldrig maskinen till tryckluft om inte maskinens maximalt tillåtna tryck kan överskridas med 10%. Se till att den tryckluft som ansluts inte har ett tryck som överstiger spikmaskinens maximalt tillåtna tryck. Ställ i början in trycket till lägsta möjliga rekommenderade tryck.
- Försök inte att tejpa eller knyta fast avtryckare eller kontaktplatta i intryckt läge. Sådant kan leda till allvarliga skador och t.o.m. dödsolyckor.
- Kontrollera alltid kontaktplattan i enlighet med bruksanvisningarna. Klamrar kan skjutas ut av misstag om inte skyddsmekanismen fungerar på rätt sätt.

SPARA DE HÄR ANVISNINGARNA.

INSTALLATION

Välja kompressor (Fig. 1 och 2)

Välj en kompressor med en stor tryck/volym-kapacitet för att få en kostnadseffektiv drift. I diagrammet nedan visas hur klamringshastigheten påverkas av trycket och mängden av luft från kompressorn.

För att exempelvis sätta i 60 klamrar i minuten med trycket 0,68 MPa (6,8 bar) måste kompressorn kunna ge minst 90 liter/minut.

Tryckregulatorer måste användas för att begränsa trycket till maskinens nominella tryck om tryckluftsystemet ger ett högre tryck. Om detta inte görs kan det leda till allvarliga personskador för såväl användaren som personer i närheten.

Välja tryckluftslang (Fig. 3)

För att kunna använda maskinen effektivt bör du välja en tryckluftslang med så stor diameter som möjligt och som är så kort som möjligt. För trycket 0,49 MPa (4,9 bar) rekommenderas en slang med en innerdiameter över 8,5 mm (5/16 tum) och en längd under 20 m för hastigheten 2 klamrar per sekund. Tryckluftslangar ska vara godkända för ett arbetstryck på minst 1,0 MPa (10 bar) eller 150 procent av maximalt tryck som systemet kan ge om detta är högre.

FÖRSIKTIGHET!

- Låg kompressorkapacitet, lång slang eller liten slangdiameter i förhållande till klamringshastigheten kan minska maskinens indrivningskraft.

Smörjning (Fig. 4)

För att få ut maximala prestanda ska en oljedosa, regulator och ett luftfilter installeras så nära maskinen som möjligt. Justera oljedosan så att den avger en droppe olja per 50 klamrar.

Om inte oljedosa, regulator och luftfilter används måste maskinen smörjas med tryckluftolja genom att droppa i 2 (två) eller 3 (tre) oljedroppar i tryckluftkopplingen. Detta måste göras både före och efter användningen. För att få tillräcklig smörjning av maskinen måste ett par klamrar skjutas ut efter att tryckluftoljan har fyllts på.

FUNKTIONSBESKRIVNING

FÖRSIKTIGHET!

- Koppla alltid loss slangen innan maskinen justeras eller kontrolleras.

Justera klammerdjup

För att justera klamringsdjupet lossar du bulten med den insexnyckel som medföljde maskinen. Sedan skjuter du djupjusteringsplattan uppåt eller neråt. (Fig. 5)

Om inte klamrarna drivs ner tillräckligt långt skjuter du upp justeringsplattan i pilens riktning. (Fig. 6)

Om inte klamrarna drivs ner för långt skjuter du ner justeringsplattan i pilens riktning. (Fig. 7)

Djupet kan justeras 5 mm till maximum. Dra åt bulten stadigt när plattan är i önskat läge.

SAMMANSÄTTNING

FÖRSIKTIGHET!

- Koppla alltid loss slangen innan något arbete gör på maskinen.

Hängare

FÖRSIKTIGHET!

- Koppla alltid loss slangen från maskinen.
- Häng aldrig maskinen högt upp eller där den riskerar att ramla.

Hängaren är bra för att tillfälligt hänga upp maskinen. Sätt fast hängaren i maskinen genom att sätta medföljande skruv i ett av hängarena hål enligt figuren. (Fig. 8)

Ladda klamrar

FÖRSIKTIGHET!

- Koppla alltid loss slangen innan maskinen laddas.
- Sätt aldrig in böjda klamrar eller klammerband. Annars kan matningen av klamrar försvåras.
- Använd endast klammer av den typ som anges i den här bruksanvisningen. Annars kan matningen av klamrar försvåras.
- Sätt i påskjutaren långsamt och försiktigt medan du håller i den med ena handen.

Välj klammertyp beroende på vilket arbete som ska utföras. Kontrollera att slangen inte är kopplad till maskinen.

1. Dra påskjutaren till magasinet bakre del och haka fast den i låsstiftet. (Fig. 9)
2. Lägg in ett klammerband i magasinet. Två klammerband kan sättas in. (Fig. 10)
3. Tryck försiktigt in låsstiftet och dra påskjutaren så att den frigörs. Fortsätt att hålla låsstiftet intryckt och skjut långsamt och försiktigt in påskjutaren till ursprungsläget. Håll låsstiftet intryckt tills påskjutaren har passerat. (Fig. 11)

Ansluta luftslangen (Fig. 12)

Skjut på tryckluftslangens koppling på klammermaskinens tryckluftgång. Se till att tryckluftkopplingen låser slangen. En slangkoppling måste installeras på eller nära maskinen så att trycket bryts när slangen kopplas loss.

DRIFT

FÖRSIKTIGHET!

- Kontrollera alltid att alla skyddsanordningar fungerar innan maskinen används.

1. Håll avtryckaren intryckt och placera sedan kontaktplattan mot arbetsstycket. (Fig. 13 och 14)
2. För att skjuta in en klammer kan du placera kontaktplattan mot arbetsstycket och sedan trycka på avtryckaren eller använda Metod 1 för kontinuerlig klamring.

Metod 2 är lämplig för att skjuta in enstaka klamrar där du vill vara extra försiktig eller vara extra noga.

FÖRSIKTIGHET!

- Om maskinen är inställd för enstaka klamrar OCH AVTRYCKAREN ÄR INTRYCKT TILL HÄLFTEN kan en klammer skjutas ut om kontaktplattan vidrör arbetsstycket eller något annat föremål under rekyl. För att undvika detta gör du på följande sätt:

- A. Tryck inte kontaktplattan hårt mot arbetsstycket.
- B. Tryck in avtryckaren helt och håll den intryckt 1 – 2 sekunder efter klamringen.

För Metod 2 används ALTERNATIV SEKVENTIELL AVTRYCKARE (ENSTAKA KLAMRAR). Ersätt avtryckardelen med detta.

Utblåsluftens riktning (Fig. 15)

Utblåsluftens riktning kan regleras i 360-graders vinkel genom att vrida utblåskåpan för hand.

Ta bort klamrar som fastnat

VARNING:

- Koppla alltid loss slangen innan klamrarna tas bort.

Ta ut klamrarna ur magasinet.

Fäll upp spärren ovanpå klammerguiden för hand. (Fig. 16)

Om inte spärren kan lyftas upp för hand sätter du in en spårmejsel mellan spärren och locket och tvingar upp den. (Fig. 17)

Öppna luckan och ta ut klamrarna. (Fig. 18)

Placera spärrfjädern på klammerguidens två hakar och tryck tillbaka den i ursprungligt läge. (Fig. 19)

FÖRSIKTIGHET!

- Om spetsen klammermaskinens spets är utsliten kan klamrar fastna oftare och/eller inte drivas in tillräckligt djupt. Om detta inträffar kan maskinen lagas i en Makita-fabrik eller på ett Makita-auktoriserat servicecenter.

UNDERHÅLL

FÖRSIKTIGHET!

- Koppla alltid loss tryckluftslangen från maskinen innan du utför kontroll eller underhåll på den.

Underhåll av klammermaskinen

Före användning måste du alltid kontrollera att maskinen är i gott skick och att inga skruvar är lösa. Dra i förekommande fall åt lösa skruvar. (Fig. 20)

Medan maskinen är losskopplad kontrollerar du dagligen att kontaktplatta och avtryckare kan röra sig fritt. Använd inte maskinen om avtryckare eller kontaktplatta har fastnat eller rör sig trögt. (Fig. 21)

Om maskinen inte ska användas under en längre tid ska den smörjas in med tryckluftolja och förvaras säkert. Undvik att utsätta maskinen för direkt solljus och/eller hög fuktighet eller värme. (Fig. 22 och 23)

Underhåll av kompressor, oljedosa, regulator, luftfilter och tryckluftslang (Fig. 24 och 25)

Efter användning måste kompressortank och luftfilter tömmas. Om fukt kommer in i maskinen kan det leda till försämrade prestanda eller t.o.m. att maskinen inte fungerar. Kontrollera regelbundet att det finns tillräckligt med tryckluftolja i oljedosan. Om inte maskinen smörjs tillräckligt kommer O-ringarna snabbt att slitas ut. (Fig. 26)

Håll inte tryckluftslangen i närheten av värme (över 60°C, över 140°F) eller i närheten av kemikalier (tinner, kraftiga syror eller baser). Dra dessutom slangen så att den inte kan fastna på något farligt sätt medan maskinen används. Slangar måste dessutom dras så att de inte ligger över vassa kanter eller så att de kan skadas på annat sätt. (Fig. 27)

För att upprätthålla produktens SÄKERHET och PÅLITLIGHET bör alla reparationer, och allt annat underhålls- eller justeringsarbete utföras av en Makita-fabrik eller på ett Makita-auktoriserat servicecenter, och Makita reservdelar bör alltid användas.

TILLBEHÖR

FÖRSIKTIGHET!

- Dessa tillbehör och tillsatser rekommenderas för användning med den Makita-maskin som anges i den här bruksanvisningen. Om andra tillbehör eller tillsatser används finns det risk för personskador. Använd endast tillbehören och tillsatserna för de ändamål de uttryckligen är avsedda för.

Tillfråga din lokala återförsäljare av Makita-produkter om du behöver ytterligare hjälp med eller mer detaljer angående dessa tillbehör.

- Klamrar
- Tryckluftslangar
- Skyddsglasögon

Forklaring til generell oversikt

1 Kompressorluftmengde per minutt	9 Luffitting	18 Klemme
2 Stiftefrekvens (antall/minutt)	10 Luftstøpsel	19 Luke
3 Dybdejusteringsplate	11 Avtrekker	20 Tappekran
4 Sekskantnøkkel	12 Kontaktelement	21 Luffilter
5 Krok	13 Arbeidsstykke	22 Smøreanordning
6 Skruer	14 Deksel for utløpsluft	23 Pneumatisk olje
7 Låsepinne	15 Stempelføring	
8 Matemekanisme	16 Klemme	
	17 Flat skrutrekker	

TEKNISKE DATA

Modell	AT1150A	AT2550A
Lufftrykk	0,44 – 0,83 MPa (4,4 – 8,3 bar)	
Stifter som kan brukes	25 mm – 50 mm	
Stiftekapasitet	140 pcs.	
Minste slangediameter	6,5 mm	
Mål (L x H x B)	370 mm x 87 mm x 290 mm	370 mm x 76 mm x 260 mm
Nettvekt	2,3 kg	2,3 kg

- Grunnet det kontinuerlige forsknings- og utviklingsprogrammet, forbeholder vi oss retten til å foreta endringer i tekniske data uten forvarsel.
- Merknad: Tekniske data kan variere fra land til land.

VIKTIGE SIKKERHETSINSTRUKSJONER

ADVARSEL:

NÅR DU BRUKER DETTE VERKTØYET MÅ DU ALLTID FØLGE DE GRUNNLEGGENDE SIKKERHETSINSTRUKSJONENE. DETTE VIL REDUSERE FAREN FOR HELSESKADER, INKLUSIVE FØLGENDE:

LES ALLE INSTRUKSJONENE.

- Av hensyn til din personlige sikkerhet og riktig drift og vedlikehold av verktøyet, må du lese denne brukerhåndboken før du begynner å bruke verktøyet.
- Bruk alltid vernebriller for å beskytte øynene dine mot skader forårsaket av støv eller stifter.

ADVARSEL:

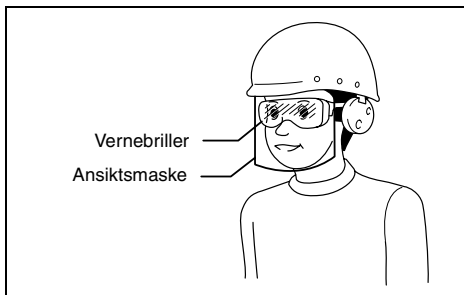
Det er arbeidsgivers ansvar å påse at verktøyoperatørene og alle andre personer i arbeidsområdets umiddelbare omgivelser bruker vernebriller.

- Kun for Australia og New Zealand

Bruk alltid vernebriller og ansiktsmaske for å beskytte øynene dine mot skader forårsaket av støv eller stifter. Vernebrillene og ansiktsmasken bør være kompatible med kravene i AS/NZS 1336.

ADVARSEL:

Det er arbeidsgivers ansvar å påse at verktøyoperatørene og alle andre personer i arbeidsområdets umiddelbare omgivelser bruker vernebriller.



- Bruk hørselvern for å beskytte hørselen din mot støy fra luftutløpet, og som hodebeskyttelse. Bruk også lette, men ikke løse klær. Ermer må være kneppt eller rullet opp. Ikke bruk slips.
- Det kan være farlig å forhaste seg i arbeidet, eller å bruke makt på verktøyet. Verktøyet må behandles forsiktig. Ikke bruk verktøyet hvis du har drukket alkohol eller er under påvirkning av legemidler, narkotiske stoffer el.l.

Generelle retningslinjer for håndtering av verktøyet:

1. Gå alltid ut fra at verktøyet inneholder spikere.
2. Ikke rett verktøyet mot deg selv eller andre, enten det inneholder spikere eller ikke.
3. Ikke aktiver verktøyet med mindre det er plassert godt mot arbeidsstykket.
4. Respekter verktøyet som arbeidsutstyr.
5. Ikke driv med ablegøyer i nærheten av verktøyet.
6. Ikke hold eller bær verktøyet med en finger på avtrekkeren.
7. Ikke lad verktøyet med spikere mens noen av driftskontrollene er aktivert.
8. Ikke bruk verktøyet med noen annen strømkilde enn den som er spesifisert i verktøyets drifts-/sikkerhetsinstruksjoner.

- Et verktøy som ikke fungerer helt som det skal, må ikke brukes.
- Når verktøyet brukes, kan det av og til fly gnister. Ikke bruk verktøyet i nærheten av flyktige, brennbare materialer som f.eks. bensin, tynner, maling, gass, lim osv. Disse vil antennes og eksplodere, og dermed forårsake alvorlige helseskader.
- Området må være tilstrekkelig opplyst til at det er trygt å bruke verktøyet. Området må være ryddig og fritt for rusk og rask. Vær spesielt påpasselig med å finne godt fotfeste og god balanse.
- Bare de som er involvert i arbeidet må være i nærheten. Det er særlig viktig at barn holdes unna til enhver tid.
- Det er mulig at lokale bestemmelser om støybegrensning krever at støynivået må holdes innen visse grenser. I visse tilfeller må det brukes lemmer for å dempe lyden.
- Ikke lek med kontaktelementet: Det forhindrer utilsiktet avfiring, så det må forbli på og ikke fjernes. Å låse avtrekkeren i ON-stilling er også meget farlig. Forsøk aldri å låse avtrekkeren. Ikke bruk et verktøy hvis noen av driftskontrollene er ute av funksjon, frakoblet, modifisert eller ikke virker som de skal.
- Bruk verktøyet innenfor det spesifiserte lufttrykket på 0,44 – 0,83 MPa (4,4 – 8,3 bar) av hensyn til sikkerheten og for at verktøyet skal vare lenger. Ikke overskrid det anbefalte maksimale driftslufttrykket på 0,83 MPa (8,3 bar). Verktøyet må ikke kobles til en kilde med et trykk som potensielt overskrider 1,37 MPa (13,7 bar).
- Pass på at trykket som leveres av trykkluftsystemet ikke overskrider det maksimalt tillatte trykket for spikerpistolen. Til å begynne med må du stille inn lufttrykket på den laveste verdien for det anbefalte tillatte trykket (se TEKNISKE DATA).
- Verktøyet må aldri brukes med noe annet enn trykkluft. Hvis komprimert gass på flaske (karbondioksid, oksygen, nitrogen, hydrogen, luft osv.) eller eksplosive gasser (hydrogen, propan, acetylen osv.) brukes som kraftkilde for dette verktøyet, vil det eksplodere og forårsake alvorlige helseskader.
- Kontroller alltid at verktøyet er i generell god stand og ikke har noen løse skruer, før du begynner å bruke det. Trekk til evt. skruer, om nødvendig.
- Pass på at alle sikkerhetssystemene fungerer som de skal før du tar verktøyet i bruk. Verktøyet må ikke starte hvis bare avtrekkeren trekkes, eller hvis bare kontaktelementet presses mot treet. Den må fungere kun når begge disse tingene gjøres samtidig. Test om verktøyet eventuelt ikke virker som det skal, mens det er tomt for stifter.
- Kontroller vegger, tak, gulv osv. grundig for å unngå mulige elektriske støt, gasslekkasjer, eksplosjoner osv. som kan forårsakes av å treffe strømførende ledninger, rør eller gassledninger med spikerne.
- Bruk kun stifter som angitt i denne håndboken. Hvis det brukes andre stifter, kan verktøyet slutte å fungere som det skal.
- Bruk aldri spikerpistoler merket med symbolet “Må ikke brukes på stillas eller stiger” til visse formål, for eksempel:
 - Når du skifter fra et arbeidssted til et annet, og dette krever at du bruker stillas, trapper, stiger eller stigeliknende konstruksjoner, f.eks. taktrinn.
 - Når du lukker bokser eller kasser.
 - Når du fester transportsikringsystemer, f.eks. på biler eller vogner.
- Ikke la noen bruke verktøyet som ikke har gjennomgått opplæring i bruken av det.
- Pass på at ingen er i nærheten, før du begynner å stifte. Forsøk aldri å stifte både fra innsiden og utsiden på én gang. Stiftene kan gå gjennom og/eller rikosjettere, og utgjøre en alvorlig helsefare.
- Se hvor du går og hold balansen med verktøyet. Pass på at ingen befinner seg under deg når du jobber på høye steder, og sikre luftslangen så det ikke plutselig oppstår en farlig situasjon fordi noen rykker i slangen eller den setter seg fast.
- På toppen av tak og på andre høye steder må du stifte etterhvert som du beveger deg forover. Det er lett å miste balansen hvis du stifter mens du beveger deg bakover. Når du stifter mot en vinkelrett overflate, må du stifte ovenfra og ned. Du blir mindre sliten av stiftingen hvis du gjør det på denne måten.
- En stift kan bli bøyd, eller verktøyet kan låse seg hvis du ved en feil stifter på toppen av en annen stift, eller treffer en kvist i treet. Stiftene kan rikosjettere og treffe noen, eller verktøyet selv kan reagere på en farlig måte. Plasser stiftene med omhu.
- Ikke la et ladet verktøy eller en luftkompressor under trykk ligge lenger tid av gangen ute i solen. Forviss deg om at støv, sand, trebiter og fremmedlegemer ikke kommer inn i verktøyet der hvor du plasserer det.
- Ikke pek med munningen på noen i nærheten. Hold hender og føtter unna munningsområdet.
- Når luftslangen er tilkoblet, må du ikke bære verktøyet med fingeren på avtrekkeren, eller gi det til noen på denne måten. Utilsiktet avfiring av en spiker kan være uhyre farlig.
- Håndter verktøyet forsiktig. Det inneholder høyt trykk som kan være farlig hvis det oppstår en sprekk i verktøyet på grunn av røff håndtering (fall eller slag). Ikke forsøk å skrape eller inngravere noe i verktøyet.
- Hvis du merker at noe er galt eller uvanlig med verktøyet, må du omgående holde opp å stifte.
- Koble alltid fra luftslangen og fjern alle stiftene:
 1. når du forlater verktøyet
 2. før vedlikehold eller reparasjon av verktøyet
 3. før en fastkjørt spiker skal tas ut
 4. før verktøyet skal flyttes til et annet sted
- Rengjøring og vedlikehold må utføres rett etter at jobben er avsluttet. Hold verktøyet i tipp topp stand. Smør bevegelige deler for å hindre at de rustner og for å minimalisere slitasje som skyldes friksjon. Tørk alt støv av delene.
- Ikke bruk dette verktøyet hvis det ikke er utstyrt med en leselig ADVARSELSETIKETT.

- Ikke foreta endringer av verktøyet uten godkjenning fra Makita.
- Spør Makitas autoriserte servicesentre om periodisk inspeksjon av verktøyet.
- For å opprettholde produktets SIKKERHET og PÅLITELIGHET, må vedlikehold og reparasjoner utføres av Makitas autoriserte servicesentre, og det må alltid brukes reservedeler fra Makita.
- Bruk bare den pneumatisk verktøyoljen som er angitt i denne håndboken.
- Verktøyet må aldri kobles til en trykluftforsyning som ikke kan overskride det maksimalt tillatte trykktøyet med 10%. Pass på at trykket som leveres av trykluftsystemet ikke overskrider det maksimalt tillatte trykket for spikerpistolen. Til å begynne med må du stille inn lufttrykket på den laveste verdien for det anbefalte tillatte trykket.
- Ikke prøv å holde avtrekkeren eller kontaktelementet trykket med tape eller wire. Dette medfører livsfare!
- Kontroller alltid kontaktelementet som angitt i denne håndboken. Stifter kan avfyres ved et ulykkestille hvis sikkerhetsmekanismen ikke virker som den skal.

TA VARE PÅ DISSE ANVISNINGENE.

MONTERING

Velg kompressor (Fig. 1 og 2)

Velg en kompressor som kan levere tilstrekkelig trykk og luftmengde til å sikre kostnadseffektiv drift. Grafen viser forholdet mellom stiftfrekvensen, det tilgjengelige trykket og kompressorens luftmengde.

Hvis man for eksempel stifter med en hastighet av ca. 60 stifter i minuttet og et trykk på 0,68 MPa (6,8 bar), er det påkrevet med en kompressor som kan levere mer enn 90 l/min.

Trykkregulatorer må brukes til å begrense lufttrykket til verktøyet merketrykk, der hvor luftforsyningens trykk overskrider verktøyet merketrykk. Gjøres dette ikke, kan følgene bli alvorlige skader på verktøyoperatøren eller personer i nærheten.

Velg luftslange (Fig. 3)

Bruk en luftslinge som er så stor og så kort som mulig for å sikre kontinuerlig, effektiv stifting. Med et lufttrykk på 0,49 MPa (4,9 bar), anbefales det en luftslinge med en indre diameter på mer enn 8,5 mm (5/16 tomme) og en lengde på mindre enn 20 m (66 fot) når intervallet mellom stiftene er 0,5 sekunder. Luftforsyningsslangene må ha et minste merkearbeidstrykk på 1,0 MPa (10 bar) eller 150 prosent av det maksimale trykket som produseres i systemet, avhengig av hvilken verdi som er størst.

NB!

- Liten luftmengde ut av kompressoren, eller en lang slange eller en mindre slangediameter i forhold til stiftfrekvensen, kan forårsake en reduksjon i verktøyet stiftkapasitet.

Smøring (Fig. 4)

For å sikre maksimal ytelse bør du installere et luftsett (smøreanordning, regulator, luftfilter) så nært verktøyet som mulig. Juster smøreanordningen slik at en dråpe olje vil bli avgitt for hver 50. stift.

Når det ikke brukes et luftsett, må du olje verktøyet med den pneumatisk verktøyoljen ved å påføre luftfittingen 2 (to) eller 3 (tre) dråper. Dette bør gjøres før og etter bruk. For at smøringen skal få best mulig effekt, bør verktøyet avfyres et par ganger etter at den pneumatisk oljen er påført.

FUNKSJONSBEKRIVELSE

NB!

- Slangen må alltid kobles fra før du justerer eller kontrollerer verktøyet funksjoner.

Justere stiftedybden

For å justere stiftedybden må du løse skruen ved hjelp av sekskantnøkkelen som fulgte med verktøyet, og deretter skyve dybdejusteringsplaten opp eller ned. (Fig. 5)

Hvis stiftene ikke kan settes dypt nok, må du skyve justeringsplaten i pilens retning, som vist på figuren. (Fig. 6) Hvis stiftene settes for dypt, må du skyve justeringsplaten i pilens retning, som vist på figuren. (Fig. 7)

Dybden kan justeres til maksimalt 5 mm. Stram skruen godt i riktig posisjon etter justering.

SAMMENSETTING

NB!

- Slangen må alltid kobles fra før du utfører noe arbeid på verktøyet.

Krok

NB!

- Slangen må alltid kobles fra verktøyet.
- Maskinen må aldri henges på kroken høyt over bakken eller på en potensielt ustabil overflate.

Kroken er praktisk å henge opp verktøyet med for kortere tid. Fest kroken på verktøyet med den medfølgende skruen og et av de to hullene i kroken, som vist på figuren. (Fig. 8)

Legge stifter i stiftepistolen

NB!

- Slangen må alltid kobles fra før verktøyet fylles med festeelementer.
- Ikke bruk deformerte stifter eller stiftebånd. Hvis du ikke følger denne anvisningen, kan det resultere i dårlig stiftemating.
- Bruk alltid stifter som angitt i denne håndboken. Hvis du ikke følger denne anvisningen, kan det resultere i dårlig stiftemating.
- Slipp alltid matemekanismen sakte og forsiktig tilbake, mens du holder den med den ene hånden.

Velg stifter som passer til arbeidet. Pass på at slangen er koblet fra verktøyet.

1. Skyv matemekanismen tilbake til bakre del av magasinet og huk sporet i matemekanismen inn på låsepinnen. (Fig. 9)
2. Sett inn stiftebåndet i magasinet. To stiftebånd kan stå i magasinet. (Fig. 10)

3. Skyv låsepinnen litt ned, og trekk i matemekanismen for å løse den.
Mens du holder låsepinnen trykket, må du slippe matemekanismen sakte og forsiktig tilbake til dens opprinnelige stilling. Fortsett å trykke på låsepinnen til den går gjennom. (Fig. 11)

Koble til luftslange (Fig. 12)

La luftstøpselet på luftslangen gli inn over luftfittingen på stiftepistolen. Forviss deg om at luftstøpselet går i inn-grep når det kobles til luftfittingen. En slangekupling må installeres på eller nær verktøyet på en slik måte at trykkreservoaret utlades i det øyeblikket luftforsyningens kupling kobles fra.

BRUK

NB!

- Pass på at alle sikkerhetssystemene fungerer som de skal før du tar verktøyet i bruk.

1. Trekk i avtrekkeren først og plasser deretter kontakt-elementet mot arbeidsstykket. (Fig. 13 og 14)
2. For å drive inn en stift må du plassere kontakt-elementet mot arbeidsstykket og trekke i avtrekkeren, eller Metode nr. 1 brukes til kontinuerlig stifting. Metode nr. 2 brukes til avbrutt spikring, når du ønsker å sette inn én stift forsiktig og meget nøyaktig.

NB!

- Men når verktøyet er stilt inn på "Uregelmessig stifting" OG AVTREKKEREN HOLDES HALVVEIS INNE, kan stifter skytes ut uventet, hvis kontakt-elementet berører arbeidsstykket eller en annen overflate som følge av rekylen.
For å unngå slik uventet stifting, må du gjøre følgende:

- A. Ikke sett kontakt-elementet mot arbeidsstykket med overdreven kraft.
- B. Klem avtrekkeren helt inn og hold den inne i 1 – 2 sekunder etter stifting.

For metode nr. 2 brukes tilleggsutstyret SEKVENSIELL AVTREKKER (DEL FOR ENKELTAVFYRING). Skift ut avtrekkerdelen med denne.

Retning for luftutløp (Fig. 15)

Retningen til luftutløpet kan endres 360 grader med en dreining av utløpsdekslet (med én hånd).

Fjerne stifter som har kilt seg

VARNING:

- Slangen må alltid kobles fra før du fjerner stifter.

Fjern stiftene fra magasinet.

Løft opp klemmen på toppen av stempelføringen for hånd. (Fig. 16)

Hvis klemmen ikke kan løftes for hånd, må du sette inn en flat skrutrekker i åpningen mellom klemmen og luken og tvinge den opp. (Fig. 17)

Åpne luken og fjern stiftene. (Fig. 18)

Plasser låsefjæren på to kroker på stempelføringen og før den tilbake til sin opprinnelige stilling ved å trykke på den. (Fig. 19)

NB!

- Hvis tuppen av stiftestempelet er slitt, vil det være en tendens til at stiftene kiler seg eller ikke settes dypt nok. Når dette skjer, må det repareres av et av Makitas autoriserte servicesentre eller et av fabrikkens servicecentre.

VEDLIKEHOLD

NB!

- Koble alltid fra luftslangen før du forsøker å utføre inspeksjon eller vedlikehold.

Vedlikehold av stiftepistol

Kontroller alltid at verktøyet er i generell god stand og ikke har noen løse skruer, før du begynner å bruke det. Trekk til evt. skruer, om nødvendig. (Fig. 20)

Foreta den daglige inspeksjonen av verktøyet mens verktøyet er frakoblet. Forviss deg om at kontaktelementet og avtrekkeren kan bevege seg fritt. Ikke bruk verktøyet hvis kontaktelementet eller avtrekkeren gjør motstand eller beveger seg tregt. (Fig. 21)

Når verktøyet ikke skal brukes på lengre tid, må du smøre det med pneumatisk verktøyolje og lagre det på et trygt sted. Unngå å utsette det for direkte sollys og/eller fuktige eller varme omgivelser. (Fig. 22 og 23)

Vedlikehold av kompressoren, luftsettet og luftslangen (Fig. 24 og 25)

Etter drift må kompressortanken og luftfilteret alltid tømmes. Hvis det kommer fuktighet inn i verktøyet, kan det resultere i dårlig ytelse og mulig verktøydefekt. Kontroller jevnlig for å se om det er tilstrekkelig med pneumatisk olje i smøreanordningen til luftsettet. Hvis verktøyet ikke tilføres tilstrekkelig med smøreolje, vil o-ringene fort bli slitt. (Fig. 26)

Hold luftslangen unna varme (mer enn 60°C, mer enn 140°F) og kjemikalier (tynner, sterke syrer eller baser). Du må også legge slangen utenom hindringer som den kan komme til å sette seg fast i under drift, noe som kan være farlig. Slanger må også legges utenom skarpe kanter og områder hvor de kan bli skadet eller slitt. (Fig. 27)

For å opprettholde produktets SIKKERHET og PÅLITELIGHET, må reparasjoner og annet vedlikeholdsarbeid eller justeringer bare utføres av et Makitas autoriserte servicesentre eller et av fabrikkens servicesentre, og det må alltid benyttes Makita reservedeler.

TILBEHØR

NB!

- Dette tilbehøret eller utstyret anbefales til å brukes med ditt Makita-verktøy som er spesifisert i denne bruksanvisningen. Bruk av annet tilbehør eller utstyr kan medføre risiko for personskader. Tilbehør og utstyr må bare bruk til de formål de er beregnet til.

Kontakt nærmeste Makita-serviceverksted dersom du trenger videre opplysninger angående tilbehøret.

- Stifter
- Luftslinger
- Vernebriller

Yleisselostus

1	Kompressorin ilmantuotto minuutissa	8	Sysäin	17	Lovettu ruuvitaltta
2	Naulausnopeus (kertaa minuutissa)	9	Ilma-aukko	18	Salpa
3	Syvyyden säätölaatta	10	Ilma-aukon hylsy	19	Luukku
4	Kuusikanta-avain	11	Liipaisin	20	Tyhjennyshana
5	Koukku	12	Kosketuselementti	21	Ilmansuodin
6	Ruuvi	13	Työkappale	22	Voitelulaite
7	Sulikutappi	14	Poistoputken suojuus	23	Pneumaattinen öljy
		15	Veto-ohjain		
		16	Salpa		

TEKNISET TIEDOT

Malli	AT1150A	AT2550A
Ilmanpaine	0,44 – 0,83 MPa (4,4 – 8,3 bar)	
Käytettäväksi sopivat naulat	25 mm – 50 mm	
Naulauskapasiteetti	140 pcs.	
Letkun minimi läpimitta	6,5 mm	
Mitat (P x K x L)	370 mm x 87 mm x 290 mm	370 mm x 76 mm x 260 mm
Nettopaino	2,3 kg	2,3 kg

- Jatkuvan tutkimus- ja kehitysohjelman vuoksi pidämme oikeuden muuttaa tässä mainittuja teknisiä ominaisuuksia ilman ennakoilmoitusta.
- Huomautus: Tekniset ominaisuudet saattavat vaihdella eri maissa.

TÄRKEITÄ TURVAOHJEITA

VAROITUS:

KONETTA KÄYTETTÄESSÄ ON LOUKKAANTUMISVAARAN VÄHENTÄMISEKSI AINA NOUDATETTAVA MUUN MUASSA SEURAAVIA PERUSTAVIA TURVAOHJEITA

LUE KAIKKI OHJEET.

- Lue tämä ohjekirja ennen koneen käyttöä, jotta osaat käyttää sitä turvallisesti ja oikein sekä pitää sen kunnossa.
- Suojaa silmät pölyn tai naulan aiheuttamilta vaurioilta käyttämällä aina suojalaseja.

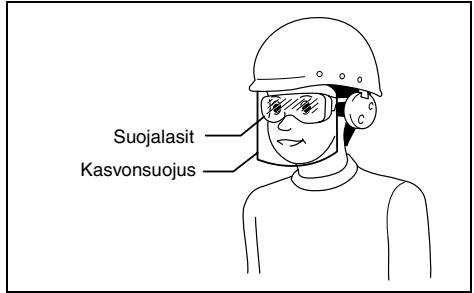
VAROITUS:

Työnantajan velvollisuuksiin kuuluu valvoa, että koneen käyttäjät ja muut työskentelyalueen välittömässä läheisyydessä olevat käyttäjät silmäsuojusta.

- Ainoastaan Australiaa ja Uutta Seelantia varten Suojaa silmät pölyn tai naulan aiheuttamilta vaurioilta käyttämällä aina suojalaseja. Suojalasiensa ja kasvosuojuksen täytyy noudattaa AS/NZS 1336:n vaatimuksia.

VAROITUS:

Työnantajan velvollisuuksiin kuuluu valvoa, että koneen käyttäjät ja muut työskentelyalueen välittömässä läheisyydessä olevat käyttäjät silmäsuojusta.



- Suojaa korvat melulta kuulosuojaimilla ja käytä päänsuojusta. Käytä kevyttä, vartalonmyötäistä vaatetusta. Hihat tulee napittaa tai rullata ylös. Älä käytä solmiota.
- Kiirehtiminen ja koneen pakottaminen on vaarallista. Käsittele konetta varoen. Älä työskentele alkoholin, lääkkeiden tms. vaikutuksen alaisena.

Yleiset koneen käyttöä koskevat ohjeet:

1. Oleta aina, että kone on ladattu nauloilla.
 2. Älä osoita koneella itseäsi äläkä ketään muuta riippumatta siitä, onko se ladattu nauloilla vai ei.
 3. Älä laukaise konetta, ellei konetta ole asetettu tiukasti työkappaletta vasten.
 4. Suhtaudu työkoneisiin niiden edellyttämällä kunniotuksella.
 5. Älä pilaa koneella.
 6. Älä pitele äläkä kanno konetta sormi liipaisimella.
 7. Älä lataa konetta nauloilla, kun jokin ohjaimista on aktivoituna.
 8. Älä käytä konetta muulla kuin koneen käyttö-/turvaohjeissa mainitulla virtalähteellä.
- Älä käytä virheellisesti toimivaa konetta.

- Konetta käytettäessä saattaa lentää kipinöitä. Älä käytä konetta haihtuvien tai syttyvien materiaalien kuten bensiinin, tinnerin, maalin, kaasun, liimojen tms. lähellä. Ne syttyvät ja räjähtävät aiheuttaen vakavan loukkaantumisen.
- Alueen tulee olla riittävästi valaistu, jotta työskentely on turvallista. Alueen tulee olla siisti ja roskaaton. Huolehdi erityisesti tukevasta jalansijasta ja tasapainosta.
- Vain työhön osallistuvat saavat olla lähettyvillä. Lapset tulee aina pitää loitolla.
- Paikalliset määräykset saattavat rajoittaa melutasoa, jolloin melu on pidettävä näiden rajoitusten mukaisena. Joissain tapauksissa melua on rajoitettava meluesteillä.
- Älä leiki kosketuselementillä: se estää tahattoman laukaisun, joten se on pidettävä päällä eikä sitä saa irrottaa. Liipaisimen lukitseminen ON-asentoon on myös hyvin vaarallista. Älä koskaan yritä liipaisimen lukitsemista. Älä käytä konetta, jos jokin ohjaimista ei toimi, ei ole kytketty, sitä on muutettu tai se ei toimi moitteettomasti.
- Käytä konetta turvallisuuden vuoksi ja pitkän käyttöiän säilyttämiseksi määritetyllä ilmanpaineella 0,44 – 0,83 MPa (4,4 – 8,3 bar). Älä ylitä suositeltua suurinta käyttöpainetta 0,83 MPa (8,3 bar). Konetta ei saa kytkeä lähteeseen, jonka paine voi ylittää 1,37 MPa (13,7 bar).
- Varmista, että paineilmajärjestelmän tuottama paine ei ylitä naulaimelle sallittua suurinta painetta. Aseta ilmanpaine aluksi alemmalle tasolle kuin suositusten mukainen sallittu ilmanpaine (katso **TEKNISET TIEDOT**).
- Älä koskaan käytä konetta muulla kuin paineilamalla. Jos tämän koneen voimälähteenä käytetään pulloitettua kaasua (hiilidioksidia, hapetta, tyyppiä, vetyä, ilmaa tms.) tai palavaa kaasua (vetyä, propania, asetyyleeniä tms.), kone räjähtää aiheuttaen vakavan loukkaantumisen.
- Tarkista aina ennen työskentelyä koneen yleinen kunto ja löysät ruuvit. Kiristä tarvittaessa.
- Varmista aina ennen käyttöä, että turvajärjestelmät toimivat. Kone ei saa lauetta pelkällä liipaisimen painalluksella tai pelkästään siitä, että kosketusvarsi painetaan puuta vasten. Sen tulee toimia vain tehdyssä molemmat toimet. Testaa mahdollinen virhe toiminto ilman naujoja.
- Tarkista seinät, katot, lattiat, kattorakenteet ja vastaavat huolella välttääksesi sähköjohtoon, kanaavaan tai kaasuputkeen osumisen aiheuttaman sähköiskun, kaasuvuodon, räjähdysksen tms.
- Käytä vain tässä ohjekirjassa määrättyjä naujoja. Muiden naujojen käyttäminen voi saattaa koneen epäkuntoon.
- Älä koskaan käytä seuraavankaltaisiin erityistiloihin naujalaisia, joissa on merkintä ”Älä käytä telineillä, tikkailla”:
 - jos käyttöpaikan vaihtaminen edellyttää telineiden, portaiden, tikkaiden tai senkaltaisten rakennelmien kuten kattorimoituksen käyttöä;
 - laatikoiden tai häkkien sulkeminen;
 - kuljetusenaikaisen turvajärjestelmien kiinnittäminen esim. ajoneuvoihin tai vaunuihin.
- Älä salli koneen käyttöön perehtymättömien käyttäjä konetta.
- Varmista ennen naulaamista, ettei lähellä ole ketään. Älä koskaan naualaa samaan aikaan sekä sisäpuolelta että ulkopuolelta. Naulat voivat tunkeutua läpi ja/tai kimmota aiheuttaen vakavan vaaran.
- Huolehdi jalansijasta ja säilytä tasapaino käsitellessäsi konetta. Varmista, ettei allasi ole ketään kun työskentelet korkeissa paikoissa. Kiinnitä ilmaletku välttääksesi vaaran, joka aiheutuisi äkillisestä nykäisystä tai takertumisesta.
- Naualaa edeten katolla ja muissa korkeissa paikoissa. Jalansijan menettäminen on helppoa, jos naulaat peruuttamalla. Kun naulaat kohtisuoraa pintaa vasten, naualaa edeten ylhäältä alas. Naulaaminen on vähemmän väsyttävää, kun toimit näin.
- Naula vääntyy tai kone jumittuu, jos naulaat erehdyksessä toisen naulan päälle tai osut puun oksakohtaan. Naula voi sinkoutua ja osua johonkukuhun tai kone itse voi reagoida vaarallisesti. Sijoita nauulat huolella.
- Älä jätä ladattua konetta äläkä paineistettua ilmakompressorilla pitkäksi aikaa auringonpaisteeseen. Varmista, että pöly, hiekka, lastut ja vieraat aineet eivät pääse koneeseen paikassa, johon lasket sen.
- Älä osoita ulostuloaukkoa kehenkään ympärillä olevaan. Pidä kädet ja jalat loitolla ulostuloaukon tuntuamasta.
- Kun ilmaletku on kytketty, älä kanna konetta sormi liipaisimella äläkä ojenna sitä kellekään tässä tilassa. Tahaton laukaisu voi olla erittäin vaarallista.
- Käsittele konetta varovasti, koska sen sisällä oleva korkea paine voi olla vaaraksi, jos kovakourainen käsittely (pudottaminen tai iskeminen) rikkoo kuoren. Älä tee koneeseen kaiverruksia.
- Lopeta naulaaminen välittömästi, jos havaitset koneessa jotain vikaa tai tavallisesta poikkeavaa.
- Irrota aina ilmaletku ja kaikki naulat:
 1. koneen ollessa vartioimatta.
 2. ennen kunnossapito- ja korjaustöitä.
 3. ennen tukoksen selvittämistä.
 4. ennen koneen siirtämistä uuteen paikkaan.
- Tee puhdistus- ja kunnossapitotyöt heti työn päättämisen jälkeen. Pidä kone huippukunnossa. Voitele liikkuvat osat estääksesi ruostumisen ja minimoidaksesi kitkasta johtuvan kulumisen. Pyyhi kaikki lika osista.
- Älä käytä tätä konetta, jos siinä ei ole selvästi luetavaa VAROITUSTARRAA.
- Älä tee koneeseen muutoksia ilman Makitan lupaa.
- Huollata kone säännöllisesti Makitan valtuuttamassa huoltoliikkeessä.
- Tuotteen **TURVALLISUUDEN** ja **LUOTETTAVUUDEN** säilyttämiseksi kunnossapito ja korjaukset tulee teettää Makitan valtuuttamassa huoltoliikkeessä käyttäen vain Makitan varaosia.
- Käytä vain tässä ohjekirjassa määrättyä pneumaattista koneöljyä.

- Älä koskaan kytke konetta paineilmalinjaan, jossa koneen suurinta sallittua painetta ei voida ylittää 10%-lla. Varmista, että paineilmajärjestelmän tuotama paine ei ylitä nauhalimelle sallittua suurinta painetta. Aseta ilmanpaine aluksi suositellun paineen alempaan arvoon.
- Älä lukitse liipaisimen kosketuselementtiä alas teipillä tai rautalangalla. Tämä voi aiheuttaa kuoleman tai loukkaantumisen.
- Tarkista kosketuselementti aina tässä ohjekirjassa esitetyllä tavalla. Naulat voivat lauetua vahingossa, jos turvamekanismit eivät toimi oikein.

SÄILYTÄ NÄMÄ OHJEET.

ASENTAMINEN

Kompressorin valinta (Kuvat 1 ja 2)

Valitse kompressorin, jossa on riittävästi käyttöpainetta ja paineilman tehoa varmistaaksesi taloudellisesti tehokkaan toiminnan. Käyrä näyttää naulausnopeuden, sopivan käyttöpaineen ja kompressorin paineilman tehon suhteen.

Täten jos esimerkiksi naulaus tapahtuu noin 60 kertaa minuutissa nopeudella 0,68 MPa:n (6,8 bar) paineella, tarvitaan kompressorin, jonka paineilman teho on yli 90 L/minuutti.

Paineensäätöyritä täytyy käyttää ilmanpaineen rajoittamiseksi koneen käyttöpaineeseen, jos paineilman teho ylittää sen. Jos näin ei tehdä, saattaa koneen käyttäjä tai lähetyksillä olevat henkilöt loukkaantua vakavasti.

Ilmaletkun valinta (Kuva 3)

Käytä mahdollisimman suurta ja lyhyttä ilmaletkua varmistaaksesi jatkuvan ja tehokkaan naulaustoiminnan. Ilmanpaineen ollessa 0,49 MPa (4,9 bar) suositellaan ilmaletkua, jonka sisäläpimitta on yli 8,5 mm ja pituus vähemmän kuin 20 m naulausvälien ollessa 0,5 sekuntia. Ilmaletkujen minimi käyttöpaineen tulee olla 1,0 MPa (10 bar) tai 150 prosenttia järjestelmän tuottamasta maksimi paineesta, kumpi tahansa on korkeampi.

VARO:

- Kompressorin alhainen ilmantuotto tai pitkä tai läpimitaltaan pienempi ilmaletku suhteessa naulausnopeuteen saattavat vähentää koneen käyttökapasiteettia.

Voitelu (Kuva 4)

Asenna mahdollisimman hyvän toiminnan varmistamiseksi ilmalaitteisto (voitelulaite, säädin, ilmansuodatin) niin lähelle konetta kuin mahdollista. Säädä voitelulaite niin, että se tiputtaa yhden tipan öljyä 50 naulan välein. Kun ilmalaitteisto ei ole käytössä, voitele kone pneumaattisella koneöljyllä laittamalla kaksi tai kolme tippaa öljyä ilmaputkenliittimeen. Tämä tulee tehdä ennen ja jälkeen käytön. Jotta voitelu onnistuisi, kone täytyy laukaista pari kertaa sen jälkeen kun pneumaattista koneöljyä on käytetty.

TOIMINTOKUVAUS

VARO:

- Irrota letku aina ennen koneen säätämistä ja tarkistus-toimenpidettä.

Naulaussyvyuden säätö

Naulaussyvyys säädetään löysentämällä mutteria koneen mukana tulevalla kuusikanta-avaimella ja sitten liikuttamalla syvyyden säätölaattaa ylös tai alas. (Kuva 5)

Jos naulat eivät tunkeudu tarpeeksi syvälle, liikuta säätölaattaa kuvan osoittaman nuolen suuntaan. (Kuva 6)

Jos naulat tunkeutuvat liian syvälle, liikuta säätölaattaa kuvan osoittaman nuolen suuntaan. (Kuva 7)

Syvyyttä voidaan säätää 5 mm:stä maksimiin. Kiristä mutteri säädön jälkeen tiukasti oikeaan asentoonsa.

KOKOAMINEN

VARO:

- Muista aina irrottaa letku, ennen kuin teet koneella mitään työtä.

Koukku

VARO:

- Irrota letku aina koneesta.
- Älä aseta konetta korkealle tai mahdollisesti epävakalle pinnalle.

Koukku on kätevä ripustettaessa kone tilapäisesti talteen. Kiinnitä koukku koneeseen varusteisiin kuuluvalla ruuvilla käyttäen jompaa kumpaa koukun aukkoa, kuten kuvassa on näytetty. (Kuva 8)

Naulaimen lataaminen

VARO:

- Irrota letku aina ennen koneen lataamista.
- Älä käytä epämuodostuneita nauloja tai naulaliuskaa. Muutoin naulan syöttö huononee.
- Käytä aina tässä ohjekirjassa määritettyjä nauloja. Muutoin naulan syöttö huononee.
- Palauta sysäin aina hitaasti ja varovasti samalla sitä käsin pitäen.

Valitse työhösi sopivat naulat. Varmista, että letku on irti koneesta.

1. Vedä sysäin kasetin taakse ja kiinnitä liipaisimen ura sulkutappiin. (Kuva 9)
2. Työnnä naulaliuska kasettiin. Kaksi naulaliuskaa on mahdollista ladata samanaikaisesti. (Kuva 10)
3. Paina sulkutappia kevyesti ja vedä sysäintä sen vapauttamiseksi koukusta. Sulkutapin ollessa painettuna palauta sysäin hitaasti ja varovasti alkuperäiseen asentonsa. Vedä sulkutappia edelleen, kunnes se menee läpi. (Kuva 11)

Ilmaletkun kiinnittäminen (Kuva 12)

Sujauta ilmaletkun ilma-aukon hylsy naulainen ilma-aukkoon. Varmista, että ilma-aukon hylsy lukkiutuu kunnolla paikalleen, kun se asennetaan ilma-aukkoon. Letkuliitin täytyy asentaa koneeseen tai sen lähelle niin, että painesäiliö tyhjenee silloin, kun ilmansaantiin irrotetaan.

KÄYTTÖ

VARO:

- Varmista, että kaikki turvajärjestelmät toimivat kunnolla ennen käyttöä.

1. Vedä liipaisinta ensin ja aseta kosketuselementti sitten työkappaletta vasten. **(Kuvat 13 ja 14)**
2. Kun haluat lyödä naulan sisään, voit asettaa kosketuselementin työkappaletta vasten ja vetää liipaisimesta tai tapa numero 1 on jatkuvaa nauлаusta varten. Numero 2 on jaksottaista nauлаusta varten, kun haluat lyödä naulan sisään huolellisesti ja hyvin tarkasti.

VARO:

- Kuitenkin silloin kun kone on säädetty ”Jaksottaiselle nauлаus” -moodille ja LIIPAISIMEN OLLESSA PUOLIKSI VEDETYSSÄ ASENNOSSA, saattaa nauлаus tapahtua yllättäen, jos kosketuselementin annetaan uudelleen koskettaa työkappaletta tai toista pintaa uudelleenkäynnissä.

Tämäntapainen yllättävä nauлаus estetään suorittamalla seuraavat toimenpiteet:

- A. Älä aseta kosketuselementtiä työkappaletta vasten liikaa voimaa käyttäen.
- B. Vedä liipaisin ihan taakse ja pidä se paikallaan 1 – 2 sekuntia nauлаuksen jälkeen.

Tavassa numero 2 käytetään LISÄVARUSTEENA SAATAVAA JÄTKUVAN NAULAUKSEN LIIPAISINTA (YHDEN PANOKSEN OSAA). Vaihda liipaisinosaa tähän.

Poistoilman suunta (Kuva 15)

Poistoilman suuntaa voidaan muuttaa 360 asteen kulmassa kääntämällä poistoputken suojusta käsin.

Kiinnijuuttuneiden nauлоjen poistaminen

VAROITUS:

- Irrota letku aina ennen nauлоjen poistamista.

Poista nauлат kasetista.

Nosta veto-ohjaimen päällä olevaa salpaa käsin.

(Kuva 16)

Jos salpaa ei voi nostaa käsin, työnnä lovettu ruuvitaltta salvan ja luukun väliseen aukkoon ja pakota se ylös.

(Kuva 17)

Avaa luukku ja poista nauлат. **(Kuva 18)**

Aseta salpajousi veto-ohjaimen kahteen koukkuun ja palauta se alkuperäiseen asentoon sitä painaen.

(Kuva 19)

VARO:

- Jos nauлаohjaimen kärki on kulunut, seurauksena voi olla naulan kiinnijuuttuminen ja riittämätön naulan lyönti. Jos näin käy, korjauta kone Makitan valtuuttamassa huoltoliikkeessä.

HUOLTO

VARO:

- Irrota ilmaletku aina koneesta ennen tarkastusta tai huoltoa.

Naulaimen huolto

Tarkista aina ennen työskentelyä koneen yleinen kunto ja löysät ruuvit. Kiristä tarvittaessa. **(Kuva 20)**

Suorita päivittäinen tarkastus ennen sähköverkkoon liittämistä ja varmista kosketuselementin ja liipaisimen vapaa liike. Älä käytä konetta, jos kosketuselementti tai liipaisin työntyvät ulos tai kiristävät. **(Kuva 21)**

Jos konetta ei aiota käyttää pitkään aikaan, voitele se pneumaattisella koneöljyllä ja säilytä se turvallisessa paikassa. Vältä suoraa auringonpaistetta ja/tai kosteaa tai kuumaa ympäristöä. **(Kuva 22 ja 23)**

Kompressorin, ilmalaitteen ja ilmaletkun huolto (Kuva 24 ja 25)

Tyhjennä käytön jälkeen aina kompressorisäiliö ja ilman-suodin. Jos koneen sisään pääsee kosteutta, seurauksena saattaa olla toiminnan heikkeneminen ja mahdollinen konevaurio. Tarkista säännöllisesti nähdäksesi, onko ilmalaitteen voitelulaitteessa tarpeeksi pneumaattista öljyä. Jos voitelu ei ole riittävä, O-renkaat kuluvat nopeasti. **(Kuva 26)**

Pidä ilmaletku kaukana kuumuudesta (yli 60°C), kemikaaleista (tinneri, voimakkaat hapot tai alkalit). Suojaa letku myös muilta esteiltä, joihin se saattaisi käytön aikana tarttua. Letkut täytyy pitää myös kaukana terävistä kulmista ja paikoista, jotka saattavat vahingoittaa tai raapia letkua. **(Kuva 27)**

Koneen TURVALLISUUDEN ja KÄYTTÖVARMUUDEN vuoksi korjaukset ja muut kunnossapitotyöt ja säädöt saa suorittaa ainoastaan Makitan valtuuttama huolto käyttäen vain Makitan varaosia.

LISÄVARUSTEET

VARO:

- Näitä lisävarusteita ja -laitteita suositellaan käytettäväksi tässä ohjekirjassa mainitun Makitan koneen kanssa. Minkä tahansa muun lisävarusteen tai -laitteen käyttäminen voi aiheuttaa loukkaantumisvaaran. Käytä lisävarusteita ja -laitteita vain niiden käyttötarkoituksen mukaisesti.

Jos tarvitset yksityiskohtaisempia tietoja näistä lvarusteista, ota yhteys paikalliseen Makitan huoltoon.

- Naulat
- Ilmaletkut
- Silmäsuojukset

Περιγραφή γενικής άποψης

1 Παροχή αέρα αεροσυμπιεστή ανά λεπτό	8 Ωθητής	17 Καταβίδι με αιχμή πλην
2 Συχνότητα καρφώματος (φορές/λεπ)	9 Προσαρμογή αέρα	18 Μάνταλο
3 Πλάκα ρύθμισης βάθους	10 Υποδοχή αέρα	19 Πόρτα
4 Εξαγωνικό κλειδί	11 Σκανδάλη	20 Στρόφιγγα αποστράγγισης
5 Γάντζος	12 Στοιχείο επαφής	21 Φίλτρο αέρα
6 Βίδα	13 Τεμάχιο εργασίας	22 Λιπαντήρας
7 Πείρος ασφάλισης	14 Κάλυμμα εξαγωγής	23 Ελαίο πεπιεσμένου αέρα
	15 Οδηγός καρφώματος	
	16 Μάνταλο	

ΤΕΧΝΙΚΑ ΧΑΡΑΚΤΗΡΙΣΤΙΚΑ

Μοντέλο	AT1150A	AT2550A
Πίεση αέρα	0,44 – 0,83 MPa (4,4 – 8,3 bar)	
Εφαρμόσιμα σύρραπτρα	25 χιλ. – 50 χιλ.	
Χωρητικότητα συρράπτρων	140 τεμ.	
Ελαχ. Διάμετρος σωλήνα	6,5 χιλ.	
Διαστάσεις (Μ x Υ x Π)	370 χιλ. x 87 χιλ. x 290 χιλ.	370 χιλ. x 76 χιλ. x 260 χιλ.
Βάρος καθαρό	2,3 Χγρ	2,3 Χγρ

- Λόγω του συνεχιζόμενου προγράμματος έρευνας και ανάπτυξης, οι παρούσες προδιαγραφές υπόκεινται σε αλλαγή χωρίς προειδοποίηση.
- Παρατήρηση: Τα τεχνικά χαρακτηριστικά μπορεί να διαφέρουν από χώρα σε χώρα.

ΣΗΜΑΝΤΙΚΕΣ ΟΔΗΓΙΕΣ ΑΣΦΑΛΕΙΑΣ

ΠΡΟΕΙΔΟΠΟΙΗΣΗ:

ΟΤΑΝ ΧΡΗΣΙΜΟΠΟΙΕΙΤΕ ΑΥΤΟ ΤΟ ΕΡΓΑΛΕΙΟ, ΠΑΝΤΟΤΕ ΠΡΕΠΕΙ ΝΑ ΑΚΟΛΟΥΘΕΙΤΕ ΒΑΣΙΚΕΣ ΠΡΟΦΥΛΑΞΕΙΣ ΑΣΦΑΛΕΙΑΣ ΓΙΑ ΝΑ ΜΕΙΩΣΕΤΕ ΤΟΝ ΚΙΝΔΥΝΟ ΠΡΟΣΩΠΙΚΟΥ ΤΡΑΥΜΑΤΙΣΜΟΥ, ΠΟΥ ΠΕΡΙΧΕΙ ΤΑ ΑΚΟΛΟΥΘΑ:

ΔΙΑΒΑΣΤΕ ΟΛΕΣ ΤΙΣ ΟΔΗΓΙΕΣ.

- Για προσωπική ασφάλεια και κατάλληλη λειτουργία και συντήρηση του εργαλείου, διαβάστε αυτό το εγχειρίδιο οδηγιών πριν χρησιμοποιήσετε το εργαλείο.

- Πάντοτε φοράτε ματογυάλια ασφάλειας για προστασία των ματιών σας από σκόνη ή τραυματισμό από σύρραπτρα.

ΠΡΟΕΙΔΟΠΟΙΗΣΗ:

Ο εργοδότης έχει την ευθύνη της επιβολής της χρήσης του προστατευτικού εξοπλισμού για την ασφάλεια ματιών των χειριστών του εργαλείου και άλλων ατόμων στην άμεση περιοχή εργασίας.

- Μόνο για Αυστραλία και Νέα Ζηλανδία.

- Πάντοτε φοράτε ματογυάλια ασφάλειας και ασπίδα προσώπου για προστασία των ματιών σας από σκόνη ή τραυματισμό από σύρραπτρα. Τα ματογυάλια ασφάλειας και η ασπίδα προσώπου πρέπει να συμφωνούν με τις απαιτήσεις του AS/NZS 1336.

ΠΡΟΕΙΔΟΠΟΙΗΣΗ:

Ο εργοδότης έχει την ευθύνη της επιβολής της χρήσης του προστατευτικού εξοπλισμού για την ασφάλεια ματιών των χειριστών του εργαλείου και άλλων ατόμων στην άμεση περιοχή εργασίας.



- Φοράτε προστατευτικά ακοής για να προστατεύσετε τα αυτιά σας από θόρυβο αζάντμισης καθώς και προστατευτικά κεφαλής. Επίσης φοράτε ελαφρά αλλά όχι χαλαρά ρούχα. Τα μανίκια πρέπει να είναι κουμπωμένα ή ανεβασμένα σε ρολό. Δεν πρέπει να φοράτε γραβάτα.
- Είναι επικίνδυνο να εργάζεστε με βιασύνη ή να εξασκείτε δύναμη στο εργαλείο. Χειρίζεστε το εργαλείο προσεκτικά. Μην λειτουργείτε όταν είστε κάτω από την επήρεια οινόπνευματος, φαρμάκων ή παρομοίων ουσιών.

Γενικές Οδηγίες Χειρισμού Εργαλείου:

1. Πάντοτε θεωρείτε ότι το εργαλείο περιέχει καρφιά.
2. Μη στρέψετε το εργαλείο προς τον εαυτό σας ή οποιονδήποτε άλλον είτε περιέχει καρφιά είτε όχι.

3. Μην ενεργοποιήτε το εργαλείο εκτός εάν το εργαλείο είναι τοποθετημένο σταθερά στο τεμάχιο εργασίας.
 4. Παίρνετε το εργαλείο στα σοβαρά κατά την εκτέλεση εργασίας.
 5. Μην ασειεύστε με το εργαλείο.
 6. Μην κρατάτε ή μεταφέρετε το εργαλείο με ένα δάκτυλο στην σκανδάλη.
 7. Μη γεμίζετε το εργαλείο με καρφιά όταν κάποιο από τα λειτουργικά του ελεγκτικά είναι ενεργοποιημένο.
 8. Μη λειτουργείτε το εργαλείο με οποιαδήποτε πηγή ενέργειας εκτός εκείνη που καθορίζεται στις οδηγίες ασφάλειας του εργαλείου.
- Ένα εργαλείο που δεν λειτουργεί σωστά δεν πρέπει να χρησιμοποιείται.
 - Μερικές φορές πετιούνται σπινθήρες κατά την χρήση του εργαλείου. Μη χρησιμοποιείτε το εργαλείο κοντά σε πηκτικά, εύφλεκτα υλικά όπως βενζίνη, διαλύτες, μπουγιά, γκάζι, συγκολλητικά, κλπ., θα αναφλεχθούν και θα εκραγούν με αποτέλεσμα σοβαρό τραυματισμό.
 - Η περιοχή πρέπει να είναι επαρκώς φωτισμένη για εξασφάλιση ασφαλούς εργασίας. Η περιοχή πρέπει να είναι καθαρή και ελεύθερη απορριμάτων. Να είστε ιδιαίτερα προσεκτικοί να διατηρείτε καλό στήριγμα ποδιών και ισορροπία.
 - Μόνο οι εργαζόμενοι πρέπει να είναι στην περιοχή εργασίας. Τα παιδιά ιδιαίτερα πρέπει να κρατούνται μακριά ανά πάσα στιγμή.
 - Μπορεί να υπάρχουν τοπικοί κανονισμοί που αφορούν στο θόρυβο και στους οποίους πρέπει να συμμορφωθώμαστε κρατώντας την στάθμη θορύβου μέσα στα προδιαγραφόμενα όρια. Σε ειδικές περιπτώσεις, παραπετάσματα πρέπει να χρησιμοποιούνται για περιορισμό του θορύβου.
 - Μη παίζετε με το στοιχείο επαφής: Αυτό εμποδίζει την τυχαία εκφόρτωση, γιαυτό πρέπει να βρίσκεται πάντοτε στην θέση του και να μην αφαιρείται. Είναι επίσης πολύ επικίνδυνο να στερεώνετε την σκανδάλη στην θέση ON. Ποτέ μην επιχειρείτε να στερεώνετε την σκανδάλη. Μη λειτουργείτε το εργαλείο εάν κάποιο ρυθμιστικό έχει βλάβη, είναι αποσυνδεδεμένο, αλλαγμένο, ή δεν λειτουργεί κατάλληλα.
 - Λειτουργείτε το εργαλείο μέσα στα καθορισμένα όρια πίεσης αέρος των 0,44 – 0,83 MPa (4,4 – 8,3 bar) για ασφάλεια και μακρύτερη ζωή του εργαλείου. Μην υπερβείτε την συνιστώμενη μεγ. πίεση λειτουργίας των 0,83 MPa (8,3 bar). Το εργαλείο δεν πρέπει να συνδέεται σε μία πηγή της οποίας η πίεση πιθανόν υπερβαίνει τα 1,37 MPa (13,7 bar).
 - Βεβαιώστε ότι η πίεση που παρέχεται από το σύστημα πεπιεσμένου αέρα δεν υπερβαίνει την μέγιστη επιτρεπόμενη πίεση του εργαλείου προώθησης καρφιών. Ρυθμίστε αρχικά την πίεση αέρος στη χαμηλότερη τιμή της συνιστώμενης επιτρεπόμενης πίεσης (βλ. ΤΕΧΝΙΚΑ ΧΑΡΑΚΤΗΡΙΣΤΙΚΑ).
- Ποτέ μη χρησιμοποιείτε το εργαλείο με οτιδήποτε άλλο εκτός πεπιεσμένου αέρα. Εάν εμφιαλωμένο αέριο (διοξειδίο άνθρακος, οξυγόνο, άζωτο, υδρογόνο, αέρας, κλπ.) ή εύφλεκτο αέριο (υδρογόνο, προπάνιο, ασετυλινη, κλπ.) χρησιμοποιείται ως πηγή ενέργειας για το εργαλείο αυτό, το εργαλείο θα εκραγεί και θα προκαλέσει σοβαρό τραυματισμό.
 - Πάντοτε ελέγχετε το εργαλείο ως προς την γενική του κατάσταση και χαλαρές βίδες, πριν από την λειτουργία. Σφίγγετε όπως απαιτείται.
 - Βεβαιώστε ότι όλα τα συστήματα ασφάλειας βρίσκονται σε καλή κατάσταση πριν από την λειτουργία. Το εργαλείο δεν πρέπει να λειτουργεί εάν τραβηχθεί μόνο η σκανδάλη ή εάν μόνο ο βραχιόνιος επαφής πατηθεί πάνω στο ξύλο. Πρέπει να λειτουργεί μόνο όταν και οι δύο δράσεις εκτελούνται. Κάνετε δοκιμή για πιθανή κακή λειτουργία χωρίς να φορτώσετε τα συρράπτρα.
 - Ελέγξτε τους τούχους, ταβάνια, πατώματα και τα λοιπά προσεκτικά για να αποφύγετε πιθανή ηλεκτροπληξία, διαρροή αερίου, εκρήξεις, κλπ. προκαλούμενα από κτύπημα ηλεκτροφόρων καλωδίων, αγωγών ή σωλήνων αερίων.
 - Χρησιμοποιείτε μόνο τα συρράπτρα που υποδεικνύονται στις οδηγίες αυτές. Η χρήση οτιδήποτε άλλων συρράπτρων μπορεί να προκαλέσει δυσλειτουργία του εργαλείου.
 - Ποτέ μην χρησιμοποιήσετε εργαλεία που καρφώνουν καρφιά σημειωμένα με την ένδειξη «Μη χρησιμοποιήσετε σε σκαλωσιές, σκάλες» για ειδικές εφαρμογές όπως για παράδειγμα:
 - όταν αλλάζοντας μία τοποθεσία εργασίας σε μία άλλη χρησιμοποιούνται σκαλωσιές, σκαλοπάτια, σκάλες, ή κατασκευές όπως σκάλες, π.χ.μαδέρια σκεπών.
 - κλεισιμο χαρτοκιβωτίων ή ξυλοκιβωτίων.
 - εφαρμογή συστημάτων ασφάλειας μεταφορών π.χ. σε οχήματα και βαγόνια.
 - Μην επιτρέπετε στους μη εκπαιδευμένους να χρησιμοποιούν το εργαλείο.
 - Βεβαιώστε ότι δεν είναι κανείς κοντά πριν συρράψετε. Ποτέ μην επιχειρήσετε να συρράψετε και από μέσα και από έξω ταυτόχρονα. Τα συρράπτρα μπορεί να διαπεράσουν το υλικό και / ή να εκτιναχθούν, δημιουργώντας σοβαρό κίνδυνο.
 - Προέχετε το στήριγμα των ποδιών σας και διατηρείτε την ισορροπία σας με το εργαλείο. Βεβαιώστε ότι δεν υπάρχει κανείς από κάτω όταν εργάζεστε σε υψηλές θέσεις, και ασφαλίστε την σωλήνα αέρος για αποφυγή κινδύνου εάν συμβεί κάποιο απότομο τίναγμα ή πιάσιμο.
 - Στις ταράτσες και άλλες υψηλές τοποθεσίες, συρράβετε καθώς κινείστε προς τα εμπρός. Είναι εύκολο να χάσετε την ισορροπία σας εάν συρράβετε ενώ κινείστε προς τα πίσω. Όταν συρράβετε σε κατακόρυφη επιφάνεια, συρράβετε από την κορυφή προς τα κάτω. Μπορείτε να εκτελείτε συρραπτικές εργασίες με μικρότερη κούραση με τον τρόπο αυτό.

- Ενα σύρραπτρο θα λυγίσει ή το εργαλείο θα πάθει εμπλοκή εάν από λάθος συρράψετε επάνω σε άλλο σύρραπτρο ή χτυπήσετε ένα ρόζο στο ξύλο. Το σύρραπτρο μπορεί να εκτιναχθεί και να κτυπήσει κάποιον, ή το ίδιο το εργαλείο μπορεί να αντιδράσει επικίνδυνα. Βάζετε τα σύρραπτρα με προσοχή.
- Μην αφήσετε το φορτωμένο εργαλείο ή τον συμπιεστή αέρος υπό πίεση για μεγάλο διάστημα έξω στον ήλιο. Βεβαιώνεται ότι σκόνη, άμμος, τεμαχίδια και ξένη ύλη δεν θα εισέλθουν στο εργαλείο στη θέση εκεί που το αφήνετε.
- Μη διευθύνετε το άνοιγμα εκτίναξης προς οποιοδήποτε άτομο γύρω σας. Κρατάτε τα χέρια σας και τα πόδια σας μακριά από την περιοχή του ανοίγματος εκτίναξης.
- Όταν η σωλήνα αέρος έχει συνδεθεί, μη μεταφέρετε το εργαλείο με το δάκτυλο στην σκανδάλη ή το δώσετε σε κάποιον με τον τρόπο αυτό. Τυχία εκपुरσορότηση μπορεί να είναι εξαιρετικά επικίνδυνη.
- Χειρίζεστε το εργαλείο προσεκτικά, επειδή υπάρχει υψηλή πίεση μέσα στο εργαλείο που μπορεί να είναι επικίνδυνη εάν μιά ρωγμή προκληθεί από απρόσεκτο χειρισμό (πτώση ή κτύπημα). Μη προσπαθήσετε να κάνετε χαραγιές ή αυλακώσεις στο εργαλείο.
- Σταματείστε αμέσως τις εργασίες συρραφής εάν παρατηρήσετε κάποιο λάθος ή κάτι το ασυνήθιστο στο εργαλείο.
- Πάντοτε αποσυνδέετε τον σωλήνα αέρα και αφαιρείτε όλα τα σύρραπτρα.
 1. Όταν δεν το προσέχει κανείς.
 2. Πριν εκτελέσετε οποιαδήποτε συντήρηση.
 3. Πριν καθαρίσετε κάποια εμπλοκή.
 4. Πριν μετακινήσετε το εργαλείο σε μιά νέα τοποθεσία.
- Εκτελείτε καθαρίσμα και συντήρηση αμέσως αφού τελειώσετε την εργασία. Κρατάτε το εργαλείο σε άριστη κατάσταση. Λιπαίστε τα κινούμενα μέρη για να αποφύγετε οξειδωση και για να ελαχιστοποιήσετε την φθορά από την τριβή. Σφουγγίστε όλες τις σκόνες από τα μέρη του.
- Μη λειτουργείτε αυτό το εργαλείο εάν δεν περιέχει μιά αναγνώσιμη ΠΡΟΕΙΔΟΠΟΙΗΤΙΚΗ ΕΤΙΚΕΤΑ.
- Μη μετατρέψετε το εργαλείο χωρίς εξουσιοδότηση από την εταιρεία ΜΑΚΙΤΑ.
- Αποτανθείτε στα εξουσιοδοτημένα κέντρα σέρβις της ΜΑΚΙΤΑ για τις περιοδικές επιθεωρήσεις του εργαλείου.
- Για την διατήρηση της ΑΣΦΑΛΕΙΑΣ και της ΑΞΙΟΠΙΣΤΙΑΣ του προϊόντος, συντήρηση και επισκευές πρέπει να εκτελούνται από τα εξουσιοδοτημένα κέντρα σέρβις της ΜΑΚΙΤΑ, χρησιμοποιώντας πάντοτε ανταλλακτικά της ΜΑΚΙΤΑ.
- Χρησιμοποιείτε μόνο έλαιο εργαλείου πεπιεσμένου αέρος που καθορίζεται σ' αυτό το εγχειρίδιο οδηγιών.

- Ποτέ μη συνδέετε το εργαλείο σε τροφοδοτική γραμμή πεπιεσμένου αέρα όπου η μέγιστη επιτρεπόμενη πίεση του εργαλείου δεν μπορεί να γίνει υπερβατή κατά 10%. Βεβαιώνεται ότι η πίεση που παρέχεται από το σύστημα πεπιεσμένου αέρα δεν υπερβαίνει την μέγιστη επιτρεπόμενη πίεση του εργαλείου προώθησης καρφών. Ρυθμίστε αρχικά την πίεση αέρος στη χαμηλότερη τιμή της συνιστώμενης επιτρεπόμενης πίεσης.
- Μη προσπαθείτε να κρατάτε το στοιχείο επαφής σκανδάλης πατημένο με ταίνια ή σύμμα.
- Πάντοτε ελέγχετε το στοιχείο επαφής όπως υποδεικνύεται στις οδηγίες. Τα σύρραπτρα μπορεί να θεθούν σε κίνηση τυχαίως εάν ο μηχανισμός ασφάλειας δεν λειτουργεί σωστά.

ΦΥΛΑΞΤΕ ΑΥΤΕΣ ΤΙΣ ΟΔΗΓΙΕΣ.

ΕΓΚΑΤΑΣΤΑΣΗ

Επιλογή αεροσυμπιεστή (Εικ. 1 και 2)

Επιλέξτε έναν αεροσυμπιεστή που έχει μεγάλη πίεση και παροχή αέρα για να εξασφαλίσετε οικονομική λειτουργία. Η γραφική παράσταση δείχνει την σχέση μεταξύ συχνότητας συρραφής, εφαρμοζόμενης πίεσης και παροχής αέρα από τον αεροσυμπιεστή.

Ετσι, για παράδειγμα, εάν η συρραφή γίνεται με ρυθμό περίπου 60 φορών ανά λεπτό με συμπίεση 0,68 MPa (6,8 bar), απαιτείται ένας συμπιεστής με παροχή αέρα πάνω από 90 L/λεπτό.

Ρυθμιστές πίεσης πρέπει να χρησιμοποιούνται για να περιορίζουν την πίεση αέρα στο όριο πίεσης του εργαλείου στις περιπτώσεις που η πίεση παροχής αέρα υπερβαίνει το όριο πίεσης του εργαλείου. Αμέλεια να το κάνετε μπορεί να έχει ως αποτέλεσμα σοβαρό τραυματισμό του χειριστή του εργαλείου ή άλλα άτομα στην περιοχή.

Επιλογή σωλήνα αέρα (Εικ. 3)

Χρησιμοποιείτε σωλήνα αέρα τόσο πλατύ και τόσο βραχύ όσον απαιτείται για να εξασφαλιστεί η συνεχής και επαρκής λειτουργία συρραφής. Για πίεση αέρα 0,49 MPa (4,9 bar), ένας σωλήνας αέρα εσωτερικής διαμέτρου πάνω από 8,5 χιλ (5/16") και μήκους κάτω από 20 μ (66 πόδ.) συνιστάται όταν το χρονικό διάστημα μεταξύ συρραφών είναι 0,5 δευτερόλεπτα. Σωλήνες παροχής αέρα πρέπει να έχουν ως ελάχιστο όριο εργασίας 1,0 MPa (10 bar) ή 150 τοις εκατό της μέγιστης πίεσης που παράγεται στο σύστημα οποιοδήποτε είναι υψηλότερο.

ΠΡΟΣΟΧΗ:

- Χαμηλή παροχή αέρα του αεροσυμπιεστή, ή μακρύτες ή μικρότερης διαμέτρου σωλήνας αέρα σε σχέση με την συχνότητα συρραφής μπορεί να προκαλέσει μείωση της επάρκειας απόδοσης του εργαλείου.

Λίπανση (Εικ. 4)

Για εξασφάλιση μέγιστης απόδοσης, εγκαταστήστε ένα σετ αέρα (λιπαντήρα ελαίου, ρυθμιστή, φίλτρο αέρα) όσο πιο κοντά στο εργαλείο είναι δυνατόν. Ρυθμίστε τον λιπαντήρα ελαίου έτσι ώστε μία σταγόνα ελαίου να παρέχεται για κάθε 50 σύρραπτρα.

Όταν ένα σετ αέρα δεν χρησιμοποιείται, λιπάνετε το εργαλείο με έλαιο πεπεσμένου αέρα εργαλείου βάζοντας 2 (δύο) ή 3 (τρεις) σταγόνες μέσα στην προσαρμογή αέρα. Αυτό πρέπει να γίνεται πριν και μετά την χρήση. Για κατάλληλη λίπανση, το εργαλείο πρέπει να χρησιμοποιηθεί δύο φορές αφού εισαχθεί το έλαιο πεπεσμένου αέρα.

ΛΕΙΤΟΥΡΓΙΚΗ ΠΕΡΙΓΡΑΦΗ

ΠΡΟΣΟΧΗ:

- Πάντοτε αποσυνδέετε τον σωλήνα πριν ρυθμίσετε ή ελέγξετε κάποια λειτουργία στο εργαλείο.

Ρύθμιση βάθους συρραφής

Για να ρυθμίσετε το βάθος συρραφής, χαλαρώστε το μπουλόνι χρησιμοποιώντας το εξαγωνικό κλειδί που παρέχεται με το εργαλείο και μετά σύρτε την πλάκα ρύθμισης βάθους πάνω ή κάτω. (Εικ. 5)

Εάν τα σύρραπτρα δεν μπορούν να οδηγηθούν αρκετά βαθιά, σύρτε την πλάκα ρύθμισης κατά την διεύθυνση του βέλους όπως φαίνεται στην εικόνα. (Εικ. 6)

Εάν τα σύρραπτρα οδηγούνται πολύ βαθιά, σύρτε την πλάκα ρύθμισης κατά την διεύθυνση του βέλους όπως φαίνεται στην εικόνα. (Εικ. 7)

Το βάθος μπορεί να ρυθμιστεί 5 χιλ. κατά μέγιστο. Σφίχτε το μπουλόνι με ασφάλεια στην σωστή θέση μετά την ρύθμιση.

ΣΥΝΑΡΜΟΛΟΓΗΣΗ

ΠΡΟΣΟΧΗ:

- Πάντοτε αποσυνδέετε τον σωλήνα πριν κάνετε οποιαδήποτε εργασία στο εργαλείο.

Γάντζος

ΠΡΟΣΟΧΗ:

- Πάντοτε αποσυνδέετε τον σωλήνα από το εργαλείο.
- Ποτέ μη γαντζώνετε το εργαλείο σε υψηλές θέσεις ή σε πιθανώς ασταθή επιφάνεια.

Ο γάντζος είναι βολικός για την προσωρινή τοποθέτηση του εργαλείου. Ασφαλίστε τον γάντζο στο εργαλείο με την παρεχόμενη βίδα χρησιμοποιώντας οποιαδήποτε από τις δύο τρύπες στο γάντζο όπως φαίνεται στην εικόνα. (Εικ. 8)

Φόρτωση συρράπτρων

ΠΡΟΣΟΧΗ:

- Πάντοτε αποσυνδέετε τον σωλήνα πριν φορτώσετε το εργαλείο.
- Μη χρησιμοποιείτε στρεβλωμένα σύρραπτρα ή λωρίδα συρράπτρων. Αμέλεια να το κάνετε θα προκαλέσει κακή τροφοδοσία συρράπτρων.
- Πάντοτε χρησιμοποιείτε σύρραπτρα που υποδεικνύονται στις οδηγίες αυτές. Αμέλεια να το κάνετε προκαλεί κακή τροφοδοσία συρράπτρων.
- Πάντοτε επαναφέρετε τον ωθητή αργά και απαλά ενώ τον κρατάτε με ένα χέρι.

Επιλέξτε σύρραπτρα κατάλληλα για την εργασία σας. Βεβαιωθείτε ότι ο σωλήνας είναι αποσυνδεδεμένος από το εργαλείο.

1. Σπρώχτε τον ωθητή στο πίσω μέρος του γεμιστήρα και γαντζώστε την εγκοπή στον ωθητή στον πείρο ασφάλισης. (Εικ. 9)
2. Βάλτε την λωρίδα συρράπτρων μέσα στον γεμιστήρα. Δύο λωρίδες συρράπτρων μπορεί να φορτωθούν. (Εικ. 10)
3. Πατήστε τον πείρο ασφάλισης ελαφρά και τραβήχτε τον ωθητή για να απεμπλακεί. Με τον πείρο ασφάλισης πατημένο, επαναφέρετε τον ωθητή αργά και απαλά στην αρχική θέση. Κρατάτε τον πείρο ασφάλισης πατημένο μέχρι να περάσει διαμέσου. (Εικ. 11)

Σύνδεση σωλήνα αέρα (Εικ. 12)

Περάστε την υποδοχή αέρα του σωλήνα αέρα στην προσαρμογή αέρα στο συρραπτικό. Βεβαιώστε ότι η υποδοχή αέρα ασφαλίσει σταθερά στην θέση της όταν τοποθετείται στην προσαρμογή αέρα. Ενα συνδετικό σωλήνα πρέπει να τοποθετηθεί επάνω ή κοντά στο εργαλείο με τέτοιο τρόπο ώστε η πίεση του δοχείου θα εκτονώνεται την ώρα που ο σύνδεσμος παροχής αέρα αποσυνδέεται.

ΛΕΙΤΟΥΡΓΙΑ

ΠΡΟΣΟΧΗ:

- Βεβαιωθείτε ότι όλα τα συστήματα ασφάλειας είναι σε καλή κατάσταση πριν από την λειτουργία.
1. Τραβήχτε πρώτα την σκανδάλη και μετά βάλτε το στοιχείο επαφής στο τεμάχιο εργασίας. (Εικ. 13 και 14)
 2. Για να βάλετε ένα σύρραπτρο, τοποθετήστε το στοιχείο επαφής πάνω στο τεμάχιο εργασίας και τραβήχτε την σκανδάλη, ή η υπ αρ. 1 μέθοδος είναι για συνεχή συρραφή.
Η υπ αρ. 2 μέθοδος είναι για διακεκομμένη συρραφή, όταν επιθυμείτε να βάλετε ένα σύρραπτρο προσεκτικά και με μεγάλη ακρίβεια.

ΠΡΟΣΟΧΗ:

- Όμως, όταν το εργαλείο είναι τοποθετημένο στη θέση "Διακεκομμένη Συρραφή", ΜΕ ΤΗΝ ΣΚΑΝΔΑΛΗ ΚΡΑΤΗΜΕΝΗ ΣΕ ΜΙΑ ΜΙΣΟ-ΤΡΑΒΗΓΜΕΝΗ ΘΕΣΗ, μιά μη αναμενόμενη συρραφή μπορεί να συμβεί, εάν το στοιχείο επαφής έχει την δυνατότητα να ξανακάνει επαφή με το τεμάχιο εργασίας ή με άλλη επιφάνεια κάτω από την επίδραση της αναπήδησης.
Για να αποφευχθεί αυτή η μη αναμενόμενη συρραφή, εκτελέστε τα ακόλουθα:

- A. Μη βάλετε το στοιχείο επαφής πάνω στο τεμάχιο επαφής με υπερβολική δύναμη.
- B. Τραβήχτε την σκανδάλη πλήρως και κρατάτε την πατημένη για 1-2 δευτερόλεπτα μετά την συρραφή.

Για την υπ αρ. 2 μέθοδο, χρησιμοποιείται η ΠΡΟΑΙΡΕΤΙΚΗ ΔΙΑΔΟΧΙΚΗ ΜΟΝΗ ΣΚΑΝΔΑΛΗ (ΑΝΤΑΛΛΑΚΤΙΚΟ ΜΙΑΣ ΒΟΛΗΣ) Αντικαταστήστε το ανταλλακτικό της σκανδάλης με αυτό.

Διεύθυνση αέρα εξαγωγής. (Εικ. 15)

Η διεύθυνση του αέρα εξαγωγής μπορεί να μεταβληθεί κατά γωνία 360 μοιρών γυρίζοντας το κάλυμμα με το χέρι.

Αφαίρεση φρακαρισμένων συρράπτρων

ΠΡΟΕΙΔΟΠΟΙΗΣΗ:

- Πάντοτε αποσυνδέετε τον σωλήνα πριν αφαιρέσετε τα σύρραπτρα.

Αφαιρέστε τα σύρραπτρα από τον γεμιστήρα.

Σηκώστε το μάνταλο στην κορυφή του οδηγού καρφώματος με το χέρι. **(Εικ. 16)**

Εάν το μάνταλο δεν σηκώνεται με το χέρι, βάλτε ένα κατσαβίδι με αιχμή πλην στο διάκενο μεταξύ του μάνταλου και της πόρτας και σπρώχτε προς τα πάνω. **(Εικ. 17)**

Ανοίχτε την πόρτα και βγάλτε τα σύρραπτρα. **(Εικ. 18)**

Βάλτε το ελατήριο μαντάλου σε δύο γάντζους του οδηγού καρφώματος και επαναφέрте το στην αρχική του θέση πιέζοντας το. **(Εικ. 19)**

ΠΡΟΣΟΧΗ:

- Εάν το άκρο του οδηγού συρράπτρων έχει φθαρεί, θα υπάρχει τάση να συμβαίνουν εμπλοκή συρράπτρων και ρηχό κάρφωμα. Όταν αυτό συμβαίνει, επισκευάστε το σε Εξουσιοδοτημένα Κέντρα Μάκιτα ή σε Κέντρα Σέρβις Εργοστασίου.

ΣΥΝΤΗΡΗΣΗ

ΠΡΟΣΟΧΗ:

- Πάντοτε αποσυνδέετε τον σωλήνα αέρα από το εργαλείο πριν επιχειρήσετε να εκτελέσετε επιθεώρηση ή συντήρηση.

Συντήρηση του συρραπτικού

Πάντοτε ελέγχετε το εργαλείο για την γενική του κατάσταση και χαλαρές βίδες πριν από την λειτουργία. Σφίχτε όπως απαιτείται. **(Εικ. 20)**

Με το εργαλείο αποσυνδεδεμένο, κάντε καθημερινή επιθεώρηση για να εξασφαλίσετε ελεύθερη κίνηση του στοιχείου επαφής και σκανδάλης. Μη χρησιμοποιείτε το εργαλείο εάν το στοχείο επαφής ή η σκανδάλη κολλάει ή παθαίνει εμπλοκή. **(Εικ. 21)**

Εάν το εργαλείο δεν πρόκειται να χρησιμοποιηθεί για μεγάλη χρονική περίοδο, λιπαίνετε το εργαλείο χρησιμοποιώντας έλαιο εργαλείου πεπιεσμένου αέρα και αποθηκεύστε το εργαλείο σε μιά ασφαλή θέση. Αποφύγετε έκθεση σε απευθείας φως και/ή υγρό ή ζεστό περιβάλλον. **(Εικ. 22 και 23)**

Συντήρηση αεροσυμπιεστή, σετ αέρα και σωλήνα αέρα **(Εικ. 24 και 25)**

Μετά την λειτουργία, πάντοτε αποστραγγίζετε το δοχείο του αεροσυμπιεστή και το φίλτρο αέρα. Εάν υγρασία μπει στο εργαλείο, μπορεί να έχει ως αποτέλεσμα κακή απόδοση και πιθανή βλάβη του εργαλείου. Ελέγχετε τακτικά να δείτε εάν υπάρχει αρκετό έλαιο πεπιεσμένου αέρα στον λιπαντήρα του σετ αέρα. Αμέλεια στην διατήρηση επαρκούς λίπανσης θα προκαλέσει γρήγορα φθορά στους δακτυλίους - Ο. **(Εικ. 26)**

Κρατάτε τον σωλήνα αέρα μακριά από ζέστη (άνω 60°C, άνω 140°F), μακριά από χημικά (αραιωτές, ισχυρά οξέα ή αλκαλικά). Επίσης, διευθύνετε τον σωλήνα μακριά από εμπόδια στα οποία μπορεί να πιαστεί επικίνδυνα κατά την λειτουργία. Οι σωλήνες επίσης πρέπει να διευθύνονται μακριά από αιχμηρές άκρες και περιοχές που μπορεί να οδηγήσουν σε ζημιά ή σε απόξεση του σωλήνα. **(Εικ. 27)**

Για την διατήρηση της ΑΣΦΑΛΕΙΑΣ και ΑΞΙΟΠΙΣΤΙΑΣ του προϊόντος, επισκευές, οποιαδήποτε άλλη συντήρηση ή ρύθμιση πρέπει να εκτελούνται από τα Εξουσιοδοτημένα Κέντρα Εξυπηρέτησης της Μάκιτα, με χρήση πάντοτε ανταλλακτικών Μάκιτα.

ΑΝΤΑΛΛΑΚΤΙΚΑ

ΠΡΟΣΟΧΗ:

- Αυτά τα ανταλλακτικά ή προσαρτήματα συνιστώνται για χρήση με το εργαλείο σας της Μάκιτα που περιγράφεται στο εγχειρίδιο αυτό. Η χρήση οτιδήποτε άλλων ανταλλακτικών ή προσαρτημάτων μπορεί να παρουσιάσουν κίνδυνο τραυματισμού σε άτομα.

Εάν χρειάζεστε βοήθεια ή περισσότερες λεπτομέρειες σε σχέση με αυτά τα ανταλλακτικά, ρωτήστε το τοπικό σας κέντρο εξυπηρέτησης της Μάκιτα.

- Σύρραπτρα
- Σωλήνες αέρα
- Ματογυάλια ασφάλειας

ENGLISH**Model; AT1150A, AT2550A****EC-DECLARATION OF CONFORMITY**

We declare under our sole responsibility that this product is in compliance with the following standards of standardized documents;
EN792 in accordance with Council Directives 98/37/EC.

ITALIANO**Modello; AT1150A, AT2550A****DICHIARAZIONE DI CONFORMITÀ
CON LE NORME DELLA COMUNITÀ EUROPEA**

Dichiariamo sotto la nostra sola responsabilità che questo prodotto è conforme agli standard di documenti standardizzati seguenti;
EN792 secondo le direttive del Consiglio 98/37/CE.

FRANÇAISE**Modèle ; AT1150A, AT2550A****DÉCLARATION DE CONFORMITÉ CE**

Nous déclarons sous notre entière responsabilité que ce produit est conforme aux normes des documents standardisés suivants;
EN792 conformément aux Directives du Conseil 98/37/EG.

NEDERLANDS**Model; AT1150A, AT2550A****EG-VERKLARING VAN CONFORMITEIT**

Wij verklaren hierbij uitsluitend op eigen verantwoordelijkheid dat dit produkt voldoet aan de volgende normen van genormaliseerde documenten;
EN792 in overeenstemming met de richtlijnen van de Raad 98/37/EC.

DEUTSCH**Modell; AT1150A, AT2550A****CE-KONFORMITÄTSERKLÄRUNG**

Hiermit erklärt wir unter unserer alleinigen Verantwortung, daß dieses Produkt gemäß den Ratsdirektiven 98/37/EG mit den folgenden Normen von Normendokumenten übereinstimmen; EN792.

ESPAÑOL**Modelo; AT1150A, AT2550A****DECLARACIÓN DE CONFORMIDAD DE LA CE**

Declaramos bajo nuestra sola responsabilidad que este producto cumple con las siguientes normas de documentos normalizados;
EN792 de acuerdo con las directivas comunitarias 98/37/CE.

Tomoyasu Kato **CE 2006**


Director	Amministratore
Directeur	Directeur
Direktor	Director

Responsible manufacturer:	Produttore responsabile:
Fabricant responsable :	Verantwoordelijke fabrikant:
Verantwortlicher Hersteller:	Fabricante responsable:

Makita Corporation

3-11-8, Sumiyoshi-cho, Anjo, Aichi, JAPAN

Authorized Representative in Europe:	Rappresentante autorizzato per l'Europa:
Représentant agréé en Europe :	Erkende vertegenwoordiger in Europa:
Autorisierte Vertretung in Europa:	Representante autorizado en Europa:

MAKITA International Europe Ltd.

Michigan Drive, Tongwell, Milton Keynes, Bucks MK15 8JD, ENGLAND

PORTUGUÊS**Modelo; AT1150A, AT2550A****DECLARAÇÃO DE CONFORMIDADE DA CE**

Declaramos sob inteira responsabilidade que este produto obedece às seguintes normas de documentos normalizados;

EN792 de acordo com as directivas 98/37/CE do Conselho.

NORSK**Modell; AT1150A, AT2550A****EU's SAMSVARS-ERKLÆRING**

Vi erklærer på eget ansvar at dette produktet er i overensstemmelse med følgende standard i de standardiserte dokumenter;

EN792 i samsvar med Råds-direktivene 98/37/EC.

DANSK**Mode; AT1150A, AT2550A****EU-DEKLARATION OM KONFORMITET**

Vi erklærer hermed på eget ansvar, at dette produkt er i overensstemmelse med de følgende standarder i de normsættende dokumenter;

EN792 i overensstemmelse med Rådets Direktiver 98/37/EC.

SUOMI**Malli; AT1150A, AT2550A****VAKUUTUS EC-VASTAAVUDESTA**

Yksinomaisesti vastuullisina ilmoitamme, että tämä tuote on seuraavien standardoitujen dokumenttien standardien mukainen;

EN792 neuvoston direktiivien 98/37/EC mukaisesti.

SVENSKA**Modell; AT1150A, AT2550A****EG-DEKLARATION OM ÖVERENSSTÄMMELSE**

Under eget ansvar deklarerar vi härmed att denna produkt överensstämmer med följande standardiseringar för standardiserade dokument;

EN792 i enlighet med EG-direktiven 98/37/EC.

ΕΛΛΗΝΙΚΑ**Μοντέλο; AT1150A, AT2550A****ΔΗΛΩΣΗ ΣΥΜΜΟΡΦΩΣΗΣ ΕΚ**

Δηλώνουμε υπό την μοναδική μας ευθύνη ότι αυτό το προϊόν βρίσκεται σε Συμφωνία με τα ακόλουθα πρότυπα τυποποιημένων εγγράφων;

EN792 σύμφωνα με τις Οδηγίες του Συμβουλίου 98/37/ΚΕ.

Tomoyasu Kato CE 2006


Director
Direktør
Direktör

Direktor
Johtaja
Διευθυντής

Fabricante responsável:

Ansvarlig fabrikant:

Ansvarlig tillverkare:

Makita Corporation

3-11-8, Sumiyoshi-cho, Anjo, Aichi, JAPAN

Ansvarlig produsent:

Vastaava valmistaja:

Υπεύθυνος κατασκευαστής:

Representador Autorizado na Europa:

Autoriseret repræsentant i Europa:

Auktoriserad representant i Europa:

Autorisert representant i Europa:

Valtuutettu edustaja Euroopassa:

Εξουσιοδοτημένος Αντιπρόσωπος στην Ευρώπη:

MAKITA International Europe Ltd.

Michigan Drive, Tongwell, Milton Keynes, Bucks MK15 8JD, ENGLAND

ENGLISH**For Model AT1150A****For European countries only****Noise and Vibration**

The typical A-weighted sound pressure level is 85 dB (A).
The noise level under working may exceed 85 dB (A).

– Wear ear protection. –

The typical weighted root mean square acceleration value is 3 m/s².

These values have been obtained according to EN792.

FRANÇAISE**Pour le modèle AT1150A****Pour les pays d'Europe uniquement****Bruit et vibrations**

Le niveau de pression sonore pondérée type A est de 85 dB (A).

Le niveau de bruit en fonctionnement peut dépasser 85 dB (A).

– Porter des protecteurs anti-bruit. –

L'accélération pondérée est de 3 m/s².

Ces valeurs ont été obtenues selon EN792.

DEUTSCH**Für Modell AT1150A****Nur für europäische Länder****Geräusch- und Vibrationsentwicklung**

Der typische A-bewertete Schalldruckpegel beträgt 85 dB (A).

Der Lärmpegel kann während des Betriebs 85 dB (A) überschreiten.

– Gehörschutz tragen. –

Der gewichtete Effektivwert der Beschleunigung beträgt 3 m/s².

Diese Werte wurden gemäß EN792 erhalten.

ITALIANO**Per modello AT1150A****Modello per l'Europa soltanto****Rumore e vibrazione**

Il livello di pressione sonora pesata secondo la curva A è di 85 dB (A).

Il livello di rumore durante il lavoro potrebbe superare gli 85 dB (A).

– Indossare i paraorecchi. –

Il valore quadratico medio di accelerazione è di 3 m/s².

Questi valori sono stati ottenuti in conformità EN792.

NEDERLANDS**Voor model AT1150A****Alleen voor Europese landen****Geluidsniveau en trilling**

Het typische A-gewogen geluidsdruk-niveau is 85 dB (A).
Tijdens het werken kan het geluidsniveau 85 dB (A) overschrijden.

– Draag oorbeschermers. –

De typische gewogen effectieve versnellingswaarde is 3 m/s².

Deze waarden werden verkregen in overeenstemming met EN792.

ESPAÑOL**Para le modelo AT1150A****Para países europeos solamente****Ruido y vibración**

El nivel de presión sonora ponderada A es de 85 dB (A).

El nivel de ruido en condiciones de trabajo puede que sobrepase los 85 dB (A).

– Póngase protectores en los oídos. –

El valor ponderado de la aceleración es de 3 m/s².

Estos valores han sido obtenidos de acuerdo con EN792.

PORTUGUÊS

Para o modelo AT1150A

Só para países Europeus

Ruído e vibração

O nível normal de pressão sonora A é 85 dB (A).

O nível de ruído durante o trabalho pode exceder 85 dB (A).

– Utilize protectores para os ouvidos –

O valor médio da aceleração é 3 m/s^2 .

Estes valores foram obtidos de acordo com EN792.

DANSK

For model AT1150A

Kun for lande i Europa

Lyd og vibration

Det typiske A-vægtede lydtryksniveau er 85 dB (A).

Støjniveauet under arbejde kan overstige 85 dB (A).

– Bær høreværn. –

Den vægtede effektive accelerationsværdi er 3 m/s^2 .

Disse værdier er beregnet i overensstemmelse med EN792.

SVENSKA

För modeller AT1150A

Endast för Europa

Buller och vibration

Den typiska A-vägda ljudtrycksnivån är 85 dB (A).

Bullernivån under pågående arbete kan överstiga 85 dB (A).

– Använd hörselskydd –

Det typiskt vägda effektivvärdet för acceleration är 3 m/s^2 .

Dessa värden har erhållits i enlighet med EN792.

NORSK

For modell AT1150A

Gjelder bare land i Europa

Støy og vibrasjon

Det vanlige A-verktet lydtryksnivå er 85 dB (A).

Under bruk kan støynivået overskride 85 dB (A).

– Benytt hørselvern. –

Den vanlig belastede effektiv-verdi for akselerasjon er 3 m/s^2 .

Disse verdiene er beregnet eller målt i samsvar med EN792.

SUOMI

Mallit AT1150A

Vain Euroopan maat

Melutaso ja värinä

Tyypillinen A-painotettu äänenpainetaso on 85 dB (A).

Melutaso työpaikalla saattaa ylittää 85 dB (A).

– Käytä kuulosuojaimia. –

Tyypillinen kiihtyvyyden painotettu tehollisarvo on 3 m/s^2 .

Nämä arvot on mitattu normin EN792 mukaisesti.

ΕΛΛΗΝΙΚΑ

Για τα μοντέλα AT1150A

Μόνο για χώρες της Ευρώπης

Θόρυβος και κραδασμός

Η τυπική A-μετρούμενη ηχητική πίεση είναι 85 dB (A).

Η ένταση ήχου υπο συνθήκες εργασίας μπορεί να υπερβεί τα 85 dB (A).

– Φοράτε ωτοασπίδες. –

Η τυπική αξία της μετρούμενης ρίζας του μέσου τετραγώνου της επιτάχυνσης είναι 3 m/s^2 .

Αυτές οι τιμές έχουν σημειωθεί σύμφωνα με το EN792.

ENGLISH**For Model AT2550A****For European countries only****Noise and Vibration**

The typical A-weighted sound pressure level is 84 dB (A).
The noise level under working may exceed 85 dB (A).

– Wear ear protection. –

The typical weighted root mean square acceleration value is 3 m/s².

These values have been obtained according to EN792.

FRANÇAISE**Pour le modèle AT2550A****Pour les pays d'Europe uniquement****Bruit et vibrations**

Le niveau de pression sonore pondérée type A est de 84 dB (A).

Le niveau de bruit en fonctionnement peut dépasser 85 dB (A).

– Porter des protecteurs anti-bruit. –

L'accélération pondérée est de 3 m/s².

Ces valeurs ont été obtenues selon EN792.

DEUTSCH**Für Modell AT2550A****Nur für europäische Länder****Geräusch- und Vibrationsentwicklung**

Der typische A-bewertete Schalldruckpegel beträgt 84 dB (A).

Der Lärmpegel kann während des Betriebs 85 dB (A) überschreiten.

– Gehörschutz tragen. –

Der gewichtete Effektivwert der Beschleunigung beträgt 3 m/s².

Diese Werte wurden gemäß EN792 erhalten.

ITALIANO**Per modello AT2550A****Modello per l'Europa soltanto****Rumore e vibrazione**

Il livello di pressione sonora pesata secondo la curva A è di 84 dB (A).

Il livello di rumore durante il lavoro potrebbe superare gli 85 dB (A).

– Indossare i paraorecchi. –

Il valore quadratico medio di accelerazione è di 3 m/s².
Questi valori sono stati ottenuti in conformità EN792.

NEDERLANDS**Voor model AT2550A****Alleen voor Europese landen****Geluidsniveau en trilling**

Het typische A-gewogen geluidsdruk-niveau is 84 dB (A).
Tijdens het werken kan het geluidsniveau 85 dB (A) overschrijden.

– Draag oorbeschermers. –

De typische gewogen effectieve versnellingswaarde is 3 m/s².

Deze waarden werden verkregen in overeenstemming met EN792.

ESPAÑOL**Para el modelo AT2550A****Para países europeos solamente****Ruido y vibración**

El nivel de presión sonora ponderada A es de 84 dB (A).
El nivel de ruido en condiciones de trabajo puede que sobrepase los 85 dB (A).

– Póngase protectores en los oídos. –

El valor ponderado de la aceleración es de 3 m/s².

Estos valores han sido obtenidos de acuerdo con EN792.

PORTUGUÊS**Para o modelo AT2550A****Só para países Europeus****Ruído e vibração**

O nível normal de pressão sonora A é 84 dB (A).

O nível de ruído durante o trabalho pode exceder 85 dB (A).

– Utilize protectores para os ouvidos –

O valor médio da aceleração é 3 m/s².

Estes valores foram obtidos de acordo com EN792.

DANSK**For model AT2550A****Kun for lande i Europa****Lyd og vibration**

Det typiske A-vægtede lydtryksniveau er 84 dB (A).

Støjniveauet under arbejde kan overstige 85 dB (A).

– Bær høreværn. –

Den vægtede effektive accelerationsværdi er 3 m/s².

Disse værdier er beregnet i overensstemmelse med EN792.

SVENSKA**För modelle AT2550A****Endast för Europa****Buller och vibration**

Den typiska A-vägda ljudtrycksnivån är 84 dB (A).

Bullernivån under pågående arbete kan överstiga 85 dB (A).

– Använd hörselskydd –

Det typiskt vägda effektivvärdet för acceleration är 3 m/s².

Dessa värden har erhållits i enlighet med EN792.

NORSK**For modell AT2550A****Gjelder bare land i Europa****Støy og vibrasjon**

Det vanlige A-verktet lydtrykksnivå er 84 dB (A).

Under bruk kan støynivået overskride 85 dB (A).

– Benytt hørselvern. –

Den vanlig belastede effektiv-verdi for akselerasjon er 3 m/s².

Disse verdiene er beregnet eller målt i samsvar med EN792.

SUOMI**Mallit AT2550A****Vain Euroopan maat****Melutasa ja värinä**

Tyypillinen A-painotettu äänenpainetaso on 84 dB (A).

Melutasa työpaikalla saattaa ylittää 85 dB (A).

– Käytä kuulosuojaimia. –

Tyypillinen kiihtyvyyden painotettu tehollisarvo on 3 m/s².

Nämä arvot on mitattu normin EN792 mukaisesti.

ΕΛΛΗΝΙΚΑ**Για τα μοντέλα AT2550A****Μόνο για χώρες της Ευρώπης****Θόρυβος και κραδασμός**

Η τυπική A-μετρούμενη ηχητική πίεση είναι 84 dB (A).

Η ένταση ήχου υπο συνθήκες εργασίας μπορεί να υπερβεί τα 85 dB (A).

– Φοράτε ωτοασπίδες. –

Η τυπική αξία της μετρούμενης ρίζας του μέσου τετραγώνου της επιτάχυνσης είναι 3 m/s².

Αυτές οι τιμές έχουν σημειωθεί σύμφωνα με το EN792.

Makita Corporation

Anjo, Aichi, Japan

AT1150A-12L-1006